

PRODUCT INFORMATION PACKET



Model No: FEH1056S

Catalog No: FEH1056S

OEM Replacement Motor, 1/2 HP, 1 Ph, 60 Hz, 460 V, 1050 RPM, 1 Speed, 48 Frame, TEAO



Regal and Century are trademarks of Regal Rexnord Corporation or one of its affiliated companies.

©2022 Regal Rexnord Corporation, All Rights Reserved. MC017097E





Nameplate Specifications

Output HP	1/2 Hp	Output KW	0.37 kW
Frequency	60 Hz	Voltage	460 V
Current	.90 A	Speed	1050 rpm
Service Factor	1	Phase	1
Duty	Air Over	Insulation Class	B
Frame	48Y	Enclosure	Totally Enclosed Air Over
Thermal Protection	Automatic	Ambient Temperature	60 °C
UL	Recognized	CSA	Y
CE	N	Number of Speeds	1

Technical Specifications

Electrical Type	Permanent Split Capacitor	Starting Method	Across The Line
Poles	6	Rotation	Reversible
Mounting	Extended Studs	Motor Orientation	Any
Drive End Bearing	Ball	Opp Drive End Bearing	Ball
Frame Material	Rolled Steel	Shaft Type	Flat
Overall Length	9.24 in	Frame Length	5.00 in
Shaft Diameter	0.500 in	Shaft Extension	3.3 in
Outline Drawing	F48SQ6V64A1-S01	Connection Drawing	614131-150

This is an uncontrolled document once printed or downloaded and is subject to change without notice. Date Created:11/28/2022

4

3

2

1

GENERAL INFORMATION:

SHAFT RUNOUT: .001/1.00 [.03/25.4] T.I.R. PER LENGTH OF EXTENSION

BEARINGS: BALL

MOUNTING POSITION: ALL ANGLE

ELECTRICAL DATA:

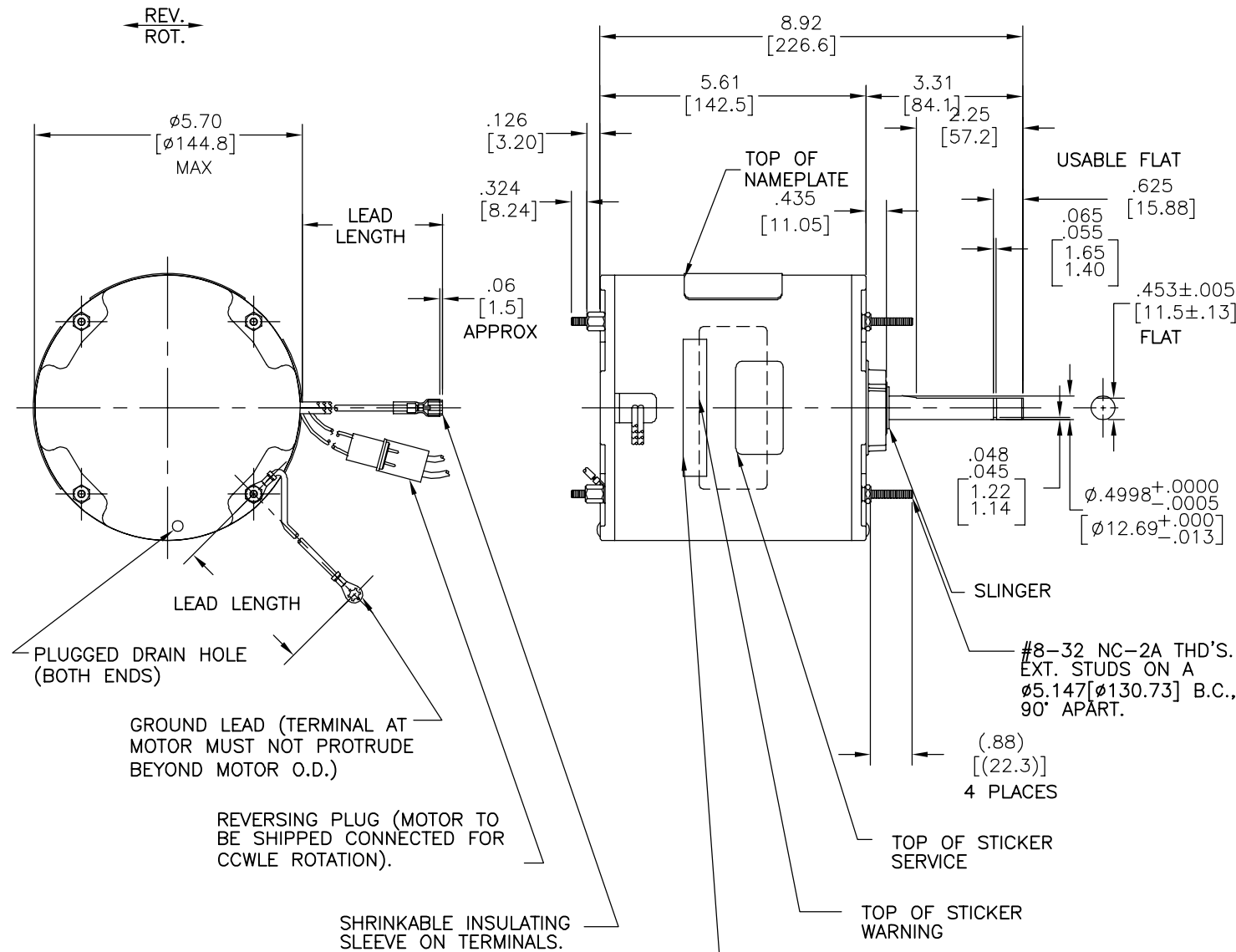
OVERLOAD PROTECTOR: AUTOMATIC RESET (T.I. 7AM 036)

LEADS:
 NO. 16 GA., .06[1.5] THK., PVC 105°C INSUL. (BLACK AND YELLOW LEADS)
 NO. 18 GA., .06[1.5] THK., PVC 105°C INSUL. (BROWN LEAD)

REVERSING LEADS:
 NO. 18 GA., .03[.8] THK., CROSS-LINKED POLYETHELENE, 125°C INSUL.

GROUND LEAD: NO. 16 GA., .03[.8] THK., (GREEN) INSUL.

REV	ECO	REV BY	DATE	APPD	DATE
B	0025548	I. ORTIZ	04-27-2012	D. BALDERRAMA	04-27-2012



GREEN(GRD)	12.0/13.0 [305/330]	#10 EYELET
BLACK/WHITE	3.0/5.0 [76/127]	REVERSING PLUG
BROWN	26.0/28.0 [660/711]	.25 FEMALE SPADE
YELLOW	26.0/28.0 [660/711]	.25 FEMALE SPADE
BLACK	26.0/28.0 [660/711]	.25 FEMALE SPADE
COLOR	LENGTH	TERMINAL OR STRIP LENGTH

NOTE:
 - LEADS TO BE ON HORIZONTAL q ±5 AS SHOWN.

MAIN FRAME - OLE	ENCLOSED
END FRAME - OLE	ENCLOSED WITH DRAIN HOLE
MAIN FRAME - LE	ENCLOSED
END FRAME - LE	ENCLOSED WITH DRAIN HOLE

CUSTOMER	DISTRIBUTION SERVICES
----------	-----------------------

NAMEPLATE DATA:	EXTERNAL CONNECTION DIAGRAM
MODEL: F48SQ6V64A1 CUST. P/N: FEH1056S HP: 1/2 ROT: REVERSIBLE RPM: 1050 TYPE: UF FRAME: 48Y VOLTS: 460 PH: 1 AMPS: .90 (1.15 MAX) HZ: 60 INS: B AMB: 60°C DUTY: AIR OVER CODE: - CAP.: 10 MFD/370V ENCL: ENCLOSED UL LOGO CSA LOGO THERMALLY PROTECTED	CONNECTION DIAGRAM ROTATION

PERFORMANCE CURVE NO.	TORQUE @1050 RPM (25°C)	APPROVED SAMPLE	UL COMPONENT FILE #	CCN #	CSA FILE #	CLASS #
C23714	31.0 OZ. FT.	EX-11709	E46412	PRGY2	LR43341	4211-01

GEOMETRIC CHARACTERISTICS & SYMBOLS
 □ FLATNESS
 - STRAIGHTNESS
 < ANGLARITY
 ⊥ PERPENDICULARITY (SQUARENESS)
 // PARALLELISM
 ○ ROUNDNESS (CIRCULARITY)
 ∅ CYLINDRICITY
 △ PROFILE OF ANY SURFACE
 ∩ PROFILE OF ANY LINE
 ↑ RUNOUT
 ⊕ TRUE POSITION
 ⊙ CONCENTRICITY
 = SYMMETRY
 ASME Y14.5M 1994

REGAL-BELOIT CORPORATION (RBC) PROVIDES TECHNICAL ASSISTANCE TO OUR CUSTOMERS IN SEVERAL AREAS. SINCE RBC DOES NOT RECEIVE ALL DATA CONCERNING THE USE AND APPLICATION OF THE MOTOR, THE SUITABILITY OF THE MOTOR FOR THE APPLICATION MUST BE DETERMINED BY THE CUSTOMER.

DIMENSIONS WITHOUT TOLERANCES ARE FOR REFERENCE ONLY.

DR BY:	TH	04-20-2011
APPD:	BS	04-20-2011
THIRD ANGLE PROJECTION		EDS DATE 11-11-2011 FORMAT REV G
CONFIDENTIAL: THIS DRAWING AND ITS INFORMATION ARE THE EXCLUSIVE AND CONFIDENTIAL PROPERTY OF REGAL-BELOIT CORPORATION AND ARE NOT TO BE DISCLOSED, DUPLICATED, DISTRIBUTED OR OTHERWISE USED WITHOUT THE WRITTEN CONSENT OF REGAL-BELOIT CORPORATION. -ALL RIGHTS RESERVED.		

DESCRIPTION	
MODEL-RFHP-48FR OUTLINE	
SIZE	DWG NO
C	F48SQ6V64A1
SCALE	SHEET
NONE	1

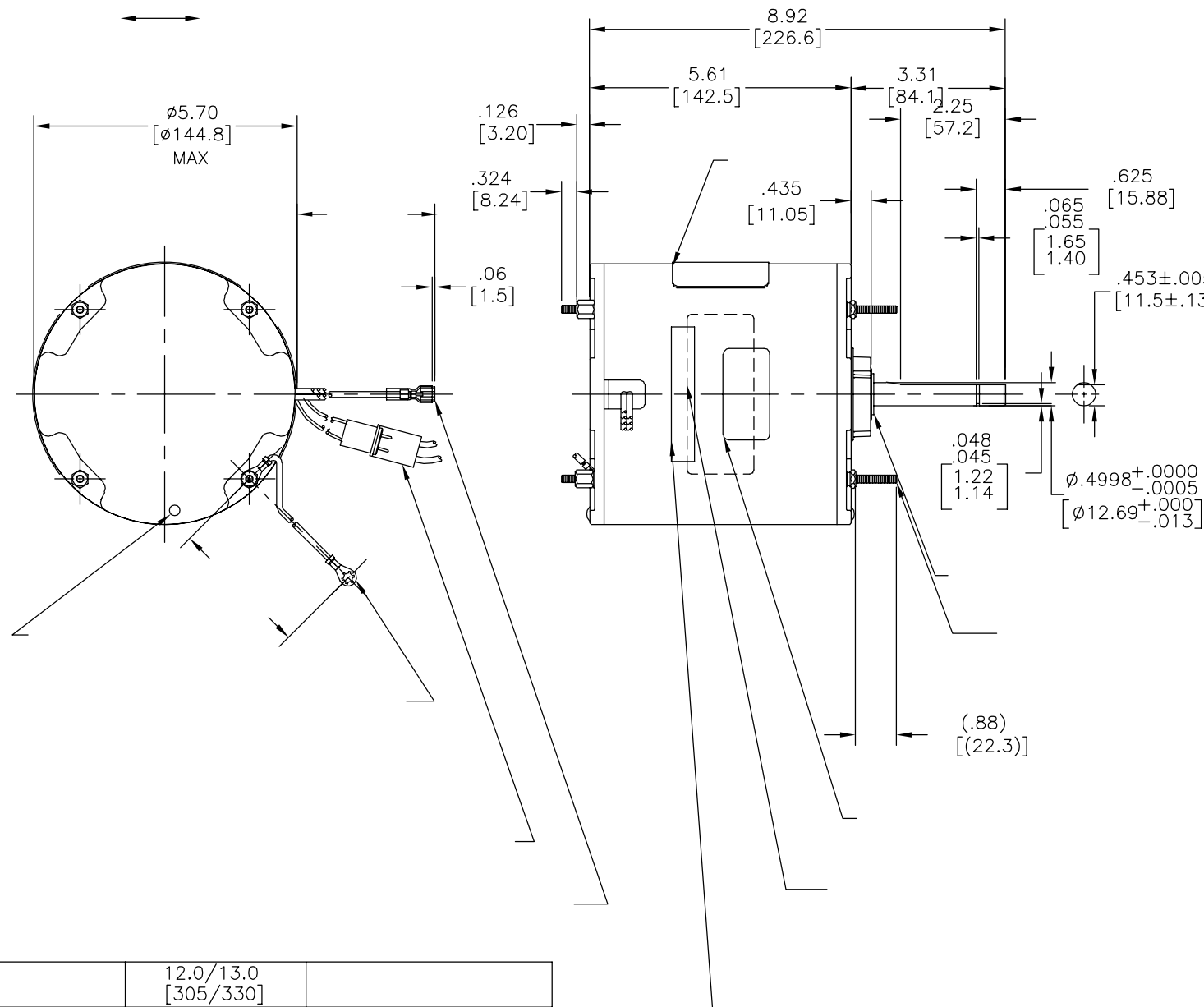
4

3

2

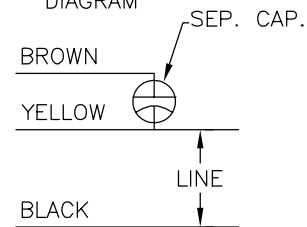
1

REVISION:	ECO	REVISADO POR:	FECHA:	APROBADO POR:	FECHA:
B	0025548	I. ORTIZ	04-27-2012	D. BALDERRAMA	04-27-2012

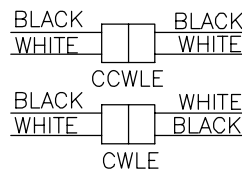


MODEL: F48SQ6V64A1
 CUST. P/N: FEH1056S
 HP: 1/2
 ROT: REVERSIBLE
 RPM: 1050
 TYPE: UF
 FRAME: 48Y
 VOLTS: 460
 PH: 1
 AMPS: .90 (1.15 MAX)
 HZ: 60
 INS: B
 AMB: 60°C
 DUTY: AIR OVER
 CODE: -
 CAP.: 10 MFD/370V
 ENCL: ENCLOSED
 UL LOGO
 CSA LOGO
 THERMALLY PROTECTED

CONNECTION DIAGRAM



ROTATION



614131-150

CSA

	12.0/13.0	
	[305/330]	
	3.0/5.0	
	[76/127]	
	26.0/28.0	
	[660/711]	
	26.0/28.0	
	[660/711]	
	26.0/28.0	
	[660/711]	

CARACTERISTICAS DE GEOMETRIA Y SIMBOLOS
 ▽ PLANICIDAD
 - RECTITUD
 < ANGULARIDAD
 ⊥ PERPENDICULARIDAD (A ESCUADRA)
 // PARALELISMO
 ○ REDONDEZ (CIRCULARIDAD)
 ∅ CILINDRICIDAD
 △ PERFIL DE CUALQUIER SUPERFICIE
 ∩ PERFIL DE CUALQUIER LINEA
 ↗ VARIACION
 ⊕ POSICION REAL
 ⊙ CONCENTRICIDAD
 = SIMETRIA
 ASME Y14.5M 1994

REGAL-BELOIT CORPORATION (RBC)
 PROVEE ASISTENCIA TECNICA A
 NUESTROS CLIENTES EN VARIAS AREAS.
 DESDE QUE RBC NO RECIBE TODOS
 LOS DATOS EN RELACION AL USO Y A
 LA APLICACION DEL MOTOR, LA
 APLICACION ADECUADA DEL MOTOR
 DEBE SER DETERMINADA POR EL
 CLIENTE.

DIMENSIONES SIN TOLERANCIA SON
 DE REFERENCIA SOLAMENTE

DIBUJADO POR: TH
 04-20-2011
 APROBADO POR: BS
 04-20-2011
 TERCER ANGULO DE PROYECCION
 CONFIDENCIAL: ESTE DIBUJO Y SU INFORMACION SON PROPIEDAD DE USO EXCLUSIVO Y CONFIDENCIAL DE REGAL-BELOIT CORPORATION. Y NO DEBERAN SER REVELADOS, DUPLICADOS, DISTRIBUIDOS O USARSE DE OTRA MANERA SIN EL CONSENTIMIENTO ESCRITO DE REGAL-BELOIT CORPORATION. -TODOS LOS DERECHOS RESERVADOS.



DESCRIPCION: MODEL-RFHP-48FR
 OUTLINE
 TAMAÑO: C NUMERO DE DIBUJO: F48SQ6V64A1
 ESCALA: NONE HOJA: 1

4

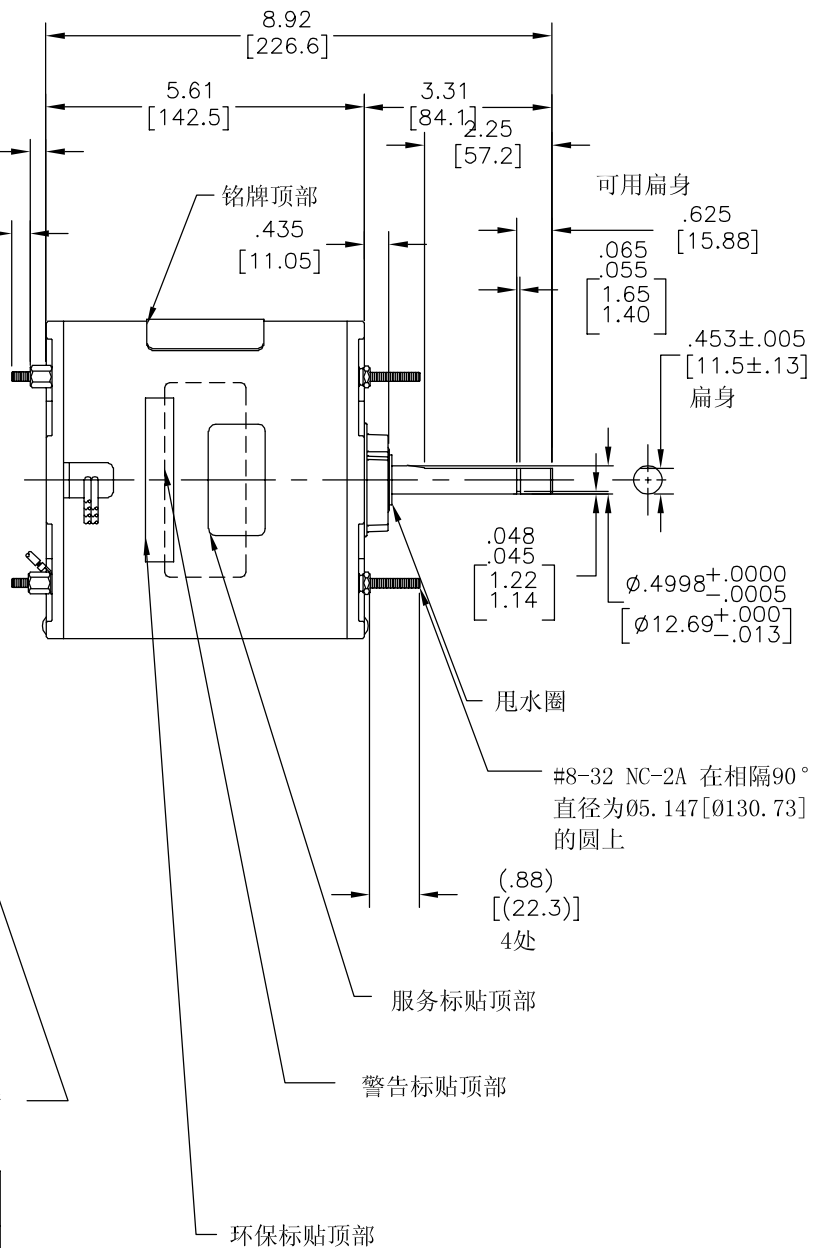
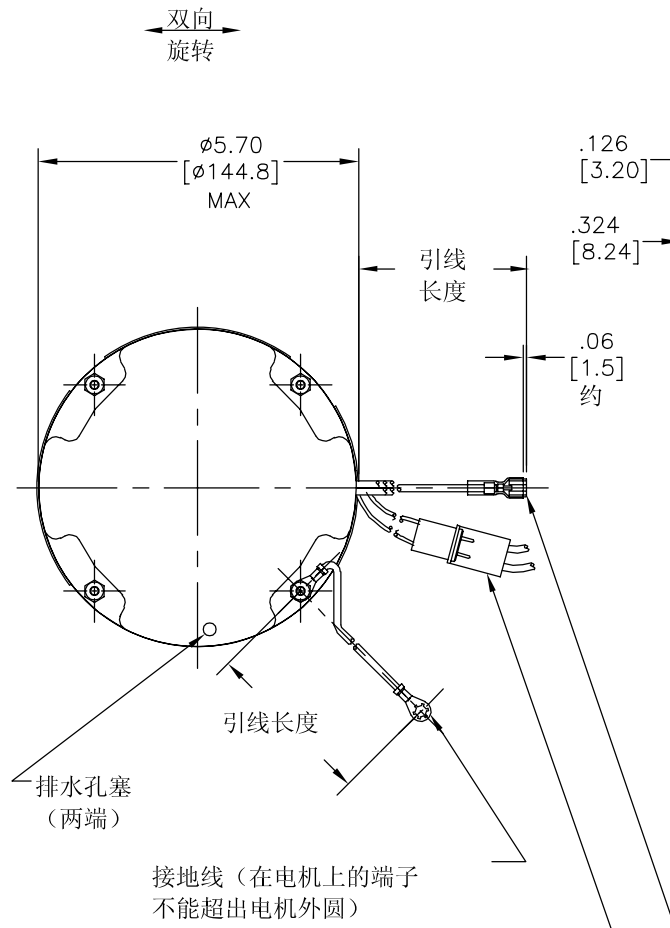
3

2

1

版本	ECO	编制	日期	批准	日期
B	0025548	I. ORTIZ	04-27-2012	D. BALDERRAMA	04-27-2012

- 总要求:
- 轴跳动: .001/1.00 [.03/25.4] (外伸轴)
 - 轴承: 球轴承
 - 安装位置: 全方位
- 电气数据:
- 过载保护: 自动复位 (7AM036)
 - 引线: 16 GA., .06 [1.5] 厚. PVC 105° C 绝缘 (黑色和黄色引线)
18 GA., .06 [1.5] 厚. PVC 105° C 绝缘 (棕色引线)
 - 换向引线: 18 GA., .03 [.8] 厚. 交叉连接 聚乙烯 125° C 绝缘
 - 接地线: 16 GA., .03 [.8] 厚. (绿色) 绝缘



铭牌数据	外部连接详图
MODEL: F48SQ6V64A1 CUST. P/N: FEH1056S HP: 1/2 ROT: REVERSIBLE RPM: 1050 TYPE: UF FRAME: 48Y VOLTS: 460 PH: 1 AMPS: .90 (1.15 MAX) HZ: 60 INS: B AMB: 60°C DUTY: AIR OVER CODE: - CAP.: 10 MFD/370V ENCL: ENCLOSED UL LOGO CSA LOGO THERMALLY PROTECTED	CONNECTION DIAGRAM SEP. CAP. BROWN YELLOW LINE BLACK ROTATION BLACK WHITE CCWLE BLACK WHITE CWLE

绿色 (接地)	12.0/13.0 [305/330]	#10 垫圈
黑/白色	3.0/5.0 [76/127]	换向插头
棕色	26.0/28.0 [660/711]	.25[6.4] 母铲形插
黄色	26.0/28.0 [660/711]	.25[6.4] 母铲形插
黑色	26.0/28.0 [660/711]	.25[6.4] 母铲形插
颜色	长度	端子或剥线长度

技术要求:
- 引线在水平方向上±5° 如图所示

非引线端机壳	封闭
非引线端端盖	封闭(有排水孔)
引线端机壳	封闭
引线端端盖	封闭(有排水孔)

用户	分销
----	----

性能曲线编号	转矩在1050RPM (25° C)	批准样品	UL部件	CSA
C23714	31.0 OZ. FT.	EX-11709	文件号 指南	文件号 指南
			E46412 PRGY2	LR43341 4211-01

- 形位公差
- 平面度
 - 直线度
 - ∠ 倾斜度
 - ⊥ 垂直度
 - // 平行度
 - 圆度
 - ⊘ 圆柱度
 - ⊖ 面轮廓度
 - ⌒ 线轮廓度
 - ↗ 圆跳动
 - ⊕ 位置度
 - ⊙ 同轴度
 - ≡ 对称度

ASME Y14.5M 1994

REGAL-BELOIT CORPORATION (RBC) 在个别领域为客户 提供技术支持。鉴于RBC 未收到任何涉及电机使用和 应用环境的数据, 电机的适用性 由客户自己决定。

未注公差尺寸仅供参考。

绘图:	TH	04-20-2011
批准:	BS	04-20-2011
第三角投影		图纸格式发布日期 11-11-2011 图纸格式版本 G
机密:	本图纸及相关信息所有权归REGAL-BELOIT CORPORATION。 未经REGAL-BELOIT CORPORATION书面授权, 不得泄露、 复制、传播或作其他用途。一版权所有	

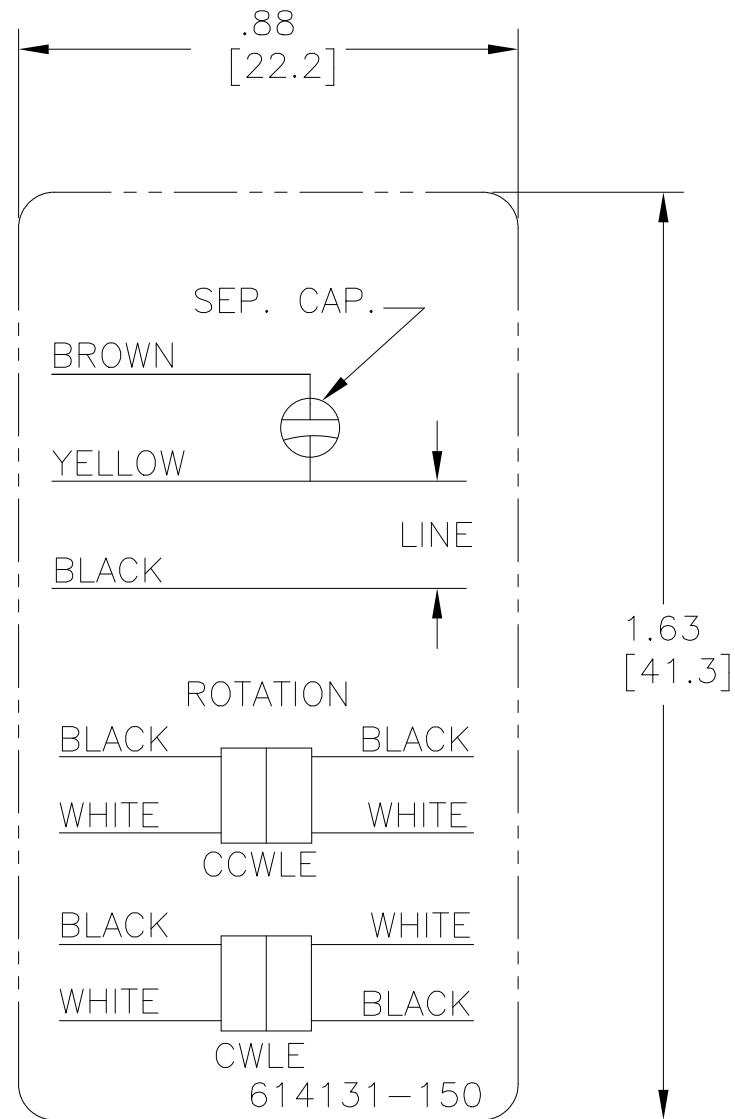
名称	MODEL-RFHP-48FR OUTLINE
图幅	C
图号	F48SQ6V64A1
比例	NONE
页号	1

4

3

2

1



NOTES:

1. FOR USE WITH 614129 NAMEPLATE BLANK
2. ——— ——— ——— INDICATES DIMENSION LIMITS
3. DIE TO BE MADE FROM MASTER SUPPLIED BY REGAL BELOIT CORPORATION
4. DIE MUST PRODUCE A LEGIBLE IMPRESSION.

DRAWING REVISION C	REVISION BY J. RUPERT	DATE 09-14-2021	TOLERANCES UNLESS OTHERWISE SPECIFIED				DRAWN BY: J. RUPERT	Regal Beloit America, Inc.		
ECO NMR-0210334	APPROVED BY J. RUPERT	DATE 09-14-2021	DEC.	INCH	mm	ANGLE	DATE: 08-09-2012			
ECO DESCRIPTION REVISED FOR UP ISSUE			.X	±0.1	[±2.5]	±0.5°	APPROVED BY: J. RUPERT	DESCRIPTION CONN DIAGRAM-NAMEPLATE		
<small>COPYRIGHT REGAL BELOIT AMERICA, INC. ALL RIGHTS RESERVED. PROPRIETARY AND CONFIDENTIAL INFORMATION - THIS DOCUMENT IS THE PROPERTY OF REGAL BELOIT AMERICA, INC. ("OWNER") AND CONTAINS OWNER'S PROPRIETARY INFORMATION. ANY PERSON, CORPORATION OR OTHER FIRM RECEIVING IT IS DEEMED, BY RECEIVING IT, TO AGREE THAT IT, AND/OR ANY PART OF IT, SHALL NOT BE DISCLOSED TO ANY PERSON, CORPORATION OR OTHER ENTITY, DUPLICATED, AND/OR USED, EXCEPT AS EXPRESSLY APPROVED IN WRITING IN ADVANCE BY OWNER. THIS DOCUMENT SHALL BE RETURNED TO OWNER UPON REQUEST. IT MAY BE SUBJECT TO CERTAIN RESTRICTIONS UNDER APPLICABLE EXPORT CONTROL LAWS AND REGULATIONS.</small>			.XX	±0.02	[±0.51]		DATE: 08-09-2013			
						.XXX	±0.005	[±0.127]		REFERENCE
			.XXXX	±0.0005	[±0.0127]		THIRD ANGLE PROJECTION	SIZE A	DWG NO 6 of 6	SHEET 1
			REMOVE BURRS & BREAK SHARP EDGES .003/.015 [0.076/.381] X 45° CORNER FILLETS R.02 [.51] MACHINED SURFACES						614131-150	
			mm SHOWN IN [BRACKETS]							