

PRODUCT INFORMATION PACKET



Model No: FEH1056SU
Catalog No: FEH1056SU

HEATMASTER® ULTRA Condenser Fan Motor, 1/2 HP, 1 Ph, 60 Hz, 460 V, 1075 RPM, 1 Speed, 48 Frame, TEAO



Regal and Century are trademarks of Regal Rexnord Corporation or one of its affiliated companies.
©2024 Regal Rexnord Corporation, All Rights Reserved. MC017097E





Nameplate Specifications

Phase	1	Output HP	1/2 Hp
Output KW	0.37 kW	Voltage	460 V
Speed	1075 rpm	Service Factor	1.0
Frame	48	Enclosure	Totally Enclosed Air Over
Thermal Protection	Automatic	Ambient Temperature	80 °C
Frequency	60 Hz	Current	1.5 A
Duty	Air Over	Insulation Class	F
UL	Recognized	CSA	Y
CE	N	Number of Speeds	1

Technical Specifications

Electrical Type	Permanent Split Capacitor	Starting Method	Across The Line
Poles	6	Rotation	Reversible
Mounting	Extended Studs	Motor Orientation	Any
Drive End Bearing	Ball	Opp Drive End Bearing	Ball
Frame Material	Rolled Steel	Shaft Type	Double Flat
Overall Length	12.99 in	Frame Length	5.69 in
Shaft Diameter	0.500 in	Shaft Extension	6.5 in
Outline Drawing	FEH1056SU_FA	Connection Drawing	614131-242

This is an uncontrolled document once printed or downloaded and is subject to change without notice. Date Created:12/14/2024

GENERAL INFORMATION:

SHAFT RUNOUT: .001[.025] T.I.R. PER INCH LENGTH OF EXTENSION

BEARINGS: BALL

MOUNTING POSITION: ALL ANGLE

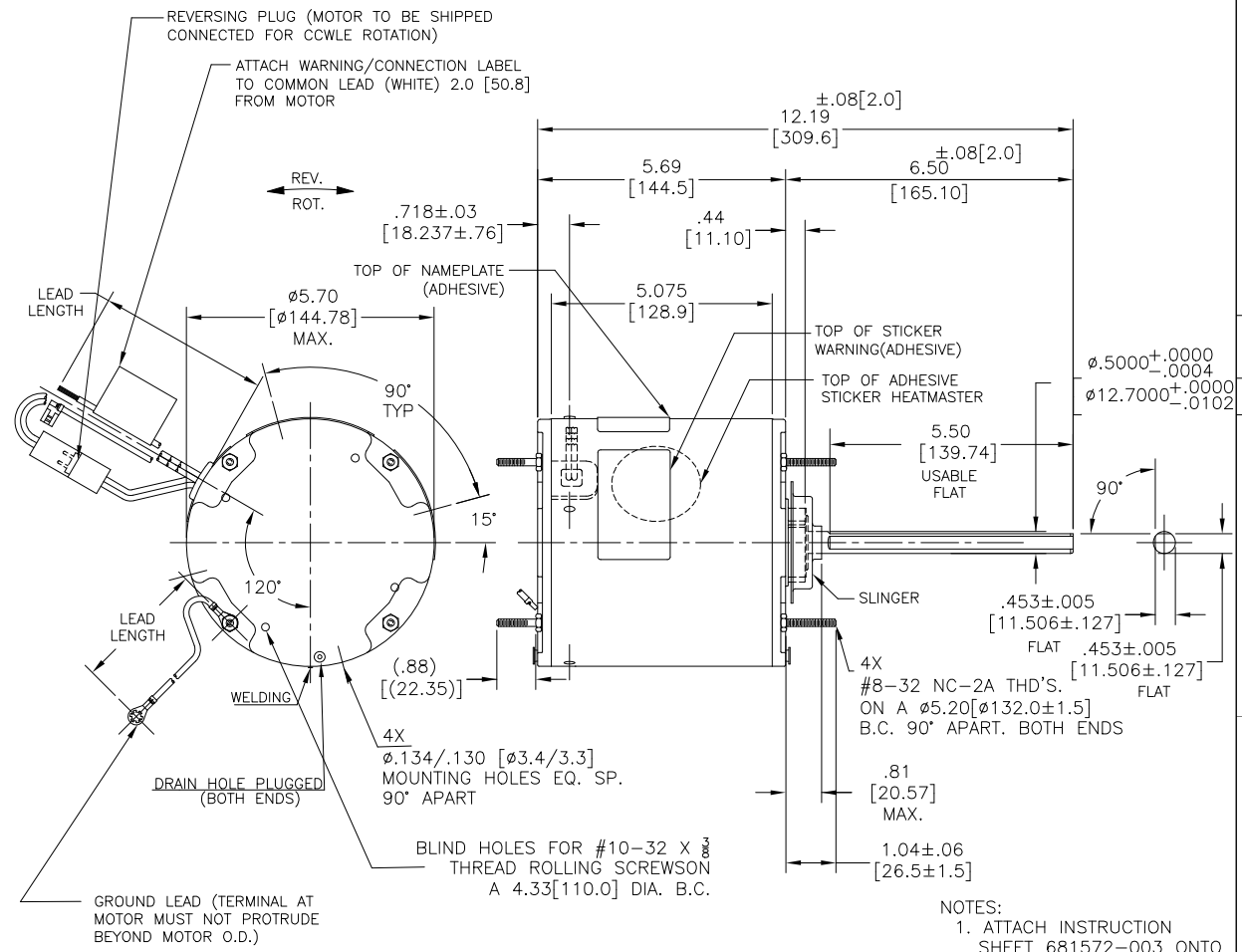
ELECTRICAL DATA:

OVERLOAD PROTECTOR: AUTOMATIC RESET (SENSATA 7AM 304)

LINE LEADS: NO. 18 GA., .06[1.52] THK. XLP 125°C INSUL.

REVERSING LEADS: NO. 18 GA., .03[.76] THK. XLP 125°C INSUL.

GROUND LEAD: NO. 18 GA., .03[.76] THK. (GREEN) INSUL.



REF. FEH1056SF NAMEPLATE DATA:	EXTERNAL CONNECTION DIAGRAM
MODEL NO.: 5KCP39PGDD943S CUST. P/N: FEH1056SU HP: 1/2 ROT.: REVERSIBLE RPM: 1075 TYPE: UF FRAME: 48Y VOLTS: 460 PH: 1 AMPS: 1.5 HZ: 60 INS.: F AMB.: 80°C DUTY: AIR OVER CAP.: 10 MFD/370 V THERMALLY PROTECTED	
 E27885 MADE IN INDIA	614131-242

GREEN (GROUND)	12.0/13.0 [304.8/330.2]	#10 EYELET
BLACK/WHITE	3.0/5.0 [76.2/127.0]	REVERSING PLUG
BROWN	48.0/51.0 [1219.2/1295.4]	.25[6.35] FLAG
BROWN/WHITE	48.0/51.0 [1219.2/1295.4]	.25[6.35] FLAG
WHITE	48.0/51.0 [1219.2/1295.4]	.50[12.70] SKIN
BLACK	48.0/51.0 [1219.2/1295.4]	.50[12.70] SKIN
COLOR	LENGTH	TERMINAL OR STRIP LENGTH

REGAL-BELOIT CORPORATION (RBC) PROVIDES TECHNICAL ASSISTANCE TO OUR CUSTOMERS IN SEVERAL AREAS. SINCE RBC DOES NOT RECEIVE ALL DATA CONCERNING THE USE AND APPLICATION OF THE MOTOR, THE SUITABILITY OF THE MOTOR FOR THE APPLICATION MUST BE DETERMINED BY THE CUSTOMER.

- NOTES:
- ATTACH INSTRUCTION SHEET 681572-003 ONTO SHAFT APPROX. 1.0[25] FROM WATER SLINGER(OR 69P9-3)
 - (4)SCREWS N194P1504B9, (4) EXTRA HEX NUTS N238P15B9 & 4x SCREW 13833003 TO BE PUT IN A POLYBAG.
 - ALL LABEL READ FROM LE
 - SPRING SHIM IN OLE SIDE

MAIN FRAME - OLE	ENCLOSED
END FRAME - OLE	ENCLOSED
MAIN FRAME - LE	ENCLOSED
END FRAME - LE	ENCLOSED

CUSTOMER	DISTRIBUTION SERVICE
----------	----------------------

DRAWING REVISION	REVISION BY	DATE
ECO	KG	19.11.24
ECR-0238477	APPROVED BY	DATE
	LS	19.11.24
ECO DESCRIPTION		
CONSERVATIONIST LABEL REMOVED		

TOLERANCES UNLESS OTHERWISE SPECIFIED	ANGLE
DEC. INCH	mm
.X ±0.1 [±2.5]	±0.5°
.XX ±0.02 [±0.51]	
.XXX ±0.005 [±0.127]	
.XXXX ±0.0005 [±0.0127]	
REMOVE BURRS & BREAK SHARP EDGES .003/.015 [0.076/.381]	
CORNER FILLETS .02 [.51]	
MACHINED SURFACES INCH/mm	
mm SHOWN IN [BRACKETS]	

Regal Rexnord
Regal Beloit America, Inc.


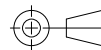
MODEL-RFHP-48FR
OUTLINE

DATE: 29.05.23
APPROVED BY: LS
DATE: 29.05.23
PROCESS/FINISH: MATERIAL: SIZE [DWG NO] FEH1056SU_FA
THIRD ANGLE PROJECTION



NOTES:

1. FOR USE WITH 614129 NAMEPLATE BLANK
2. — — — — — INDICATES DIMENSION LIMITS
3. DIE TO BE MADE FROM MASTER SUPPLIED BY REGAL REXNORD CORPORATION
4. DIE MUST PRODUCE A LEGIBLE IMPRESSION.

DRAWING REVISION H		REVISION BY J. RUPERT	DATE 03-16-2022	TOLERANCES UNLESS OTHERWISE SPECIFIED DEC. INCH mm ANGLE .X ±0.1 [±2.5] ±0.5° .XX ±0.02 [±0.51] .XXX ±0.005 [±0.127] .XXXX ±0.0005 [±0.0127] REMOVE BURRS & BREAK SHARP EDGES .003/.015 [.076/.381] X 45° CORNER FILLETS R.02 [.51] MACHINED SURFACES INCH ¹²⁵ mm ^{3.2} ✓ mm SHOWN IN [BRACKETS]	DRAWN BY: YL	 Regal Beloit America, Inc.		
ECO NMR-0213140		APPROVED BY J. RUPERT	DATE 03-16-2022		DATE: 04-15-2011		DESCRIPTION CONNECTION DIAGRAM EXTERNAL	
ECO DESCRIPTION REVISED FOR UP ISSUED					APPROVED BY: HZ	MATERIAL	PROCESS/FINISH	
COPYRIGHT REGAL BELOIT AMERICA, INC. ALL RIGHTS RESERVED. PROPRIETARY AND CONFIDENTIAL INFORMATION - THIS DOCUMENT IS THE PROPERTY OF REGAL BELOIT AMERICA, INC. ("OWNER") AND CONTAINS OWNER'S PROPRIETARY INFORMATION. ANY PERSON, CORPORATION OR OTHER FIRM RECEIVING IT IS DEEMED, BY RECEIVING IT, TO AGREE THAT IT, AND/OR ANY PART OF IT, SHALL NOT BE DISCLOSED TO ANY PERSON, CORPORATION OR OTHER ENTITY, DUPLICATED, AND/OR USED, EXCEPT AS EXPRESSLY APPROVED IN WRITING IN ADVANCE BY OWNER. THIS DOCUMENT SHALL BE RETURNED TO OWNER UPON REQUEST. IT MAY BE SUBJECT TO CERTAIN RESTRICTIONS UNDER APPLICABLE EXPORT CONTROL LAWS AND REGULATIONS.					DATE: 04-15-2011	SIZE	DWG NO	SHEET
				THIRD ANGLE PROJECTION 	A	4 of 4	614131-242	1