

PRODUCT INFORMATION PACKET



Model No: FEH1076D
Catalog No: FEH1076D

Condenser Fan Motor, 3/4 HP, 1 Ph, 60 Hz, 208-230/460 V, 1075 RPM, 1 Speed, 48 Frame, TEAO



Regal and Century are trademarks of Regal Rexnord Corporation or one of its affiliated companies.

©2023 Regal Rexnord Corporation, All Rights Reserved. MC017097E





Nameplate Specifications

Output HP	3/4 Hp	Output KW	0.56 kW
Frequency	60 Hz	Voltage	208-230/460 V
Current	3.4/1.7 A	Speed	1075 rpm
Service Factor	1	Phase	1
Duty	Air Over	Insulation Class	B
Frame	48Y	Enclosure	Totally Enclosed Air Over
Thermal Protection	Automatic	Ambient Temperature	60 °C
UL	Recognized	CSA	Y
CE	N	Number of Speeds	1

Technical Specifications

Electrical Type	Permanent Split Capacitor	Starting Method	Across The Line
Poles	6	Rotation	Reversible
Mounting	Resilient Rings	Motor Orientation	Any
Drive End Bearing	Ball	Opp Drive End Bearing	Ball
Frame Material	Rolled Steel	Shaft Type	Double Flat
Overall Length	12.61 in	Frame Length	5.50 in
Shaft Diameter	0.500 in	Shaft Extension	6 in
Connection Drawing	614131-309	Outline Drawing	11748-107-S01

This is an uncontrolled document once printed or downloaded and is subject to change without notice. Date Created:02/16/2023

GENERAL INFORMATION:

SHAFT RUNOUT: .001[.03] T.I.R. PER INCH LENGTH OF EXTENSION.

BEARINGS: BALL

MOUNTING POSITION: ALL ANGLE

ELECTRICAL DATA:

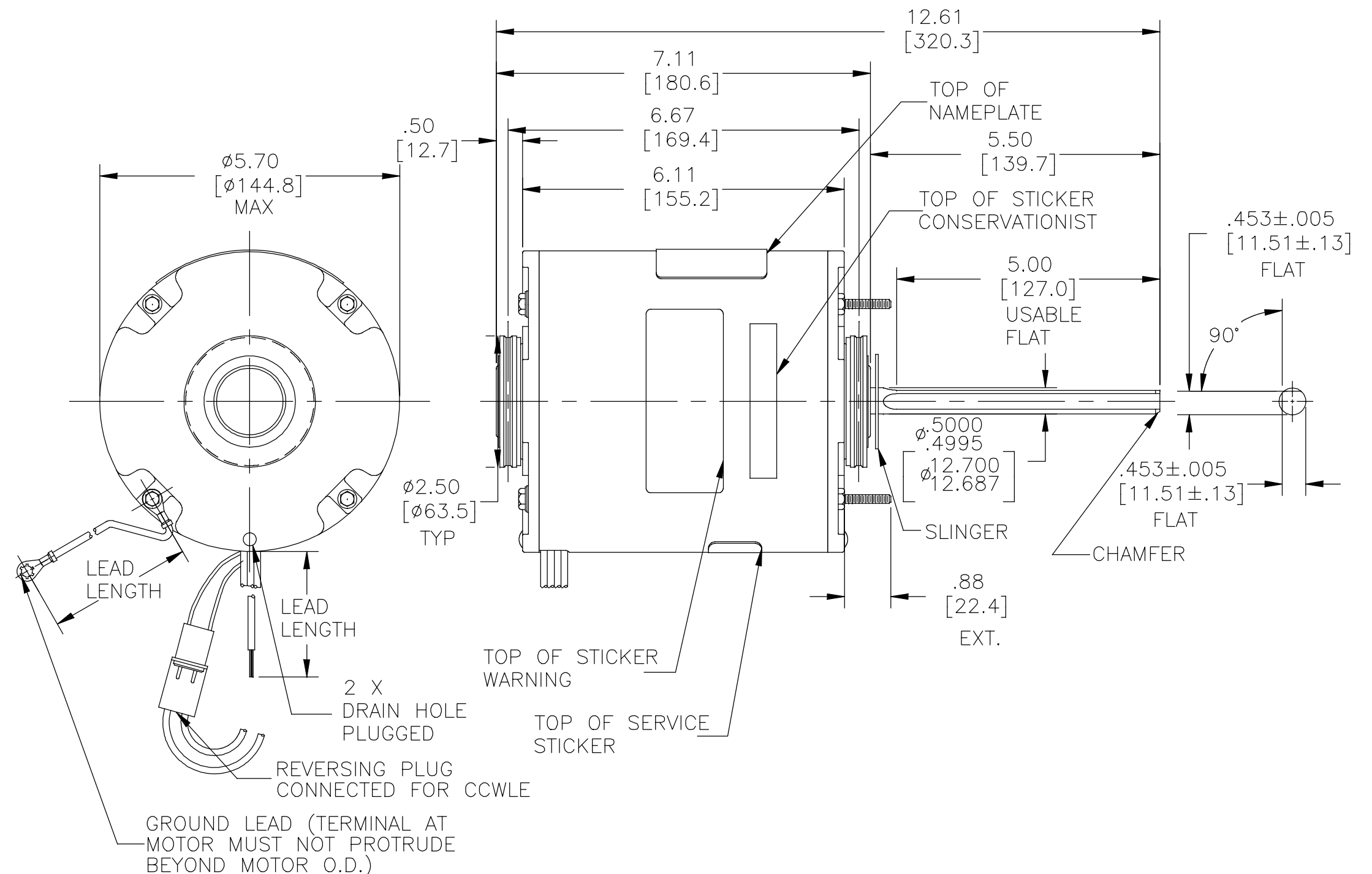
OVERLOAD PROTECTOR: AUTOMATIC RESET (T.I. 7AM 036)

LEADS: NO. 18 GA., .06[1.5] THK., 125°C INSUL.

GROUND LEAD: NO. 18 GA., .03[.8] THK., (GREEN) INSULATION.

NOTES:
1. DISTRIBUTION: CUST. P/N: FEH1076D
GRAINGER: CUST. P/N: 4MA48

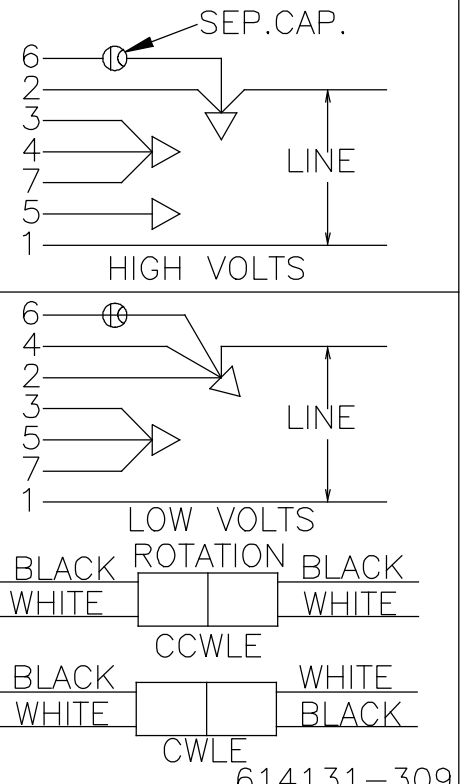
SEE NOTE 1



NAMEPLATE DATA:

MODEL NO.: F48U83A01
CUST. P/N: []
HP: 3/4
ROT: REVERSIBLE
RPM: 1075
TYPE: UF
FRAME: 48Y
VOLTS: 208-230/460
PH: 1
AMPS: 3.4/1.7
HZ: 60
INS: B
AMB: 60°C
DUTY: AIR OVER
CAP.: 10 MFD/370 V
ENCL: ENCLOSED
UL LOGO
CSA LOGO
THERMALLY PROTECTED

EXTERNAL CONNECTION DIAGRAM



GREEN(GRD)	12/13 [305/330]	#10 EYELET
BLACK/WHITE	3/5 [76/127]	REVERSING PLUG
RED (1)	5/7 [127/178]	.50 STRIP [12.7]
RED (2)	5/7 [127/178]	.50 STRIP [12.7]
RED (3)	5/7 [127/178]	.50 STRIP [12.7]
YELLOW (4)	5/7 [127/178]	.50 STRIP [12.7]
YELLOW (5)	5/7 [127/178]	.50 STRIP [12.7]
YELLOW (6)	5/7 [127/178]	.50 STRIP [12.7]
BLUE (7)	5/7 [127/178]	.50 STRIP [12.7]
COLOR	LENGTH	TERMINAL OR STRIP LENGTH
LEAD DATA		

REGAL-BELOIT CORPORATION (RBC) PROVIDES TECHNICAL ASSISTANCE TO OUR CUSTOMERS IN SEVERAL AREAS. SINCE RBC DOES NOT RECEIVE ALL DATA CONCERNING THE USE AND APPLICATION OF THE MOTOR, THE SUITABILITY OF THE MOTOR FOR THE APPLICATION MUST BE DETERMINED BY THE CUSTOMER.

DIMENSIONS WITHOUT TOLERANCES ARE FOR REFERENCE ONLY.

MAIN FRAME - OLE	CLOSED
END FRAME - OLE	CLOSED
MAIN FRAME - LE	CLOSED
END FRAME - LE	CLOSED

CUSTOMER DISTRIBUTION SERVICE

PERFORMANCE CURVE NO.	TORQUE @1075 RPM (25°C)	APPROVED SAMPLE	UL COMPONENT	CSA
C24127	62.3 OZ. FT.		FILE # CCN # FILE # CLASS #	
			E46412 PRGY2 LR43341 260-φ-0	

DRAWING REVISION	REVISION BY	DATE
E	JERRY CHAI	12-04-2018
ECO	APPROVED BY	DATE
ECO-0157132	SARA HELTON	12-04-2018
ECO DESCRIPTION		
SEE ECO		

COPYRIGHT REGAL-BELOIT AMERICA, INC. ALL RIGHTS RESERVED. PROPRIETARY AND CONFIDENTIAL INFORMATION - THIS DOCUMENT IS THE PROPERTY OF REGAL-BELOIT AMERICA, INC. (OWNER) AND CONTAINS OWNER'S PROPRIETARY INFORMATION. ANY PERSON, CORPORATION OR OTHER FIRM RECEIVING IT IS DEEMED, BY RECEIVING IT, TO AGREE THAT IT, AND/OR ANY PART OF IT, SHALL NOT BE DISCLOSED TO ANY PERSON, CORPORATION OR OTHER ENTITY, DUPLICATED, AND/OR USED, EXCEPT AS EXPRESSLY APPROVED IN WRITING IN ADVANCE BY OWNER. THIS DOCUMENT SHALL BE RETURNED TO OWNER UPON REQUEST. IT MAY BE SUBJECT TO CERTAIN RESTRICTIONS UNDER APPLICABLE EXPORT CONTROL LAWS AND REGULATIONS.

DRAWN BY: CADDIE.ZHOU
DATE: 06-07-2018
APPROVED BY: SARA.HELTON
DATE: 06-07-2018
PROCESS/FINISH:

REGAL Regal Beloit America, Inc.
DESCRIPTION: MODEL-RFHP-48FR OUTLINE
MATERIAL:

THIRD ANGLE PROJECTION
SIZE DWG NO: C 11748-107
SHEET 1