

# PRODUCT INFORMATION PACKET



Model No: FH1056S

Catalog No: FH1056S

Condenser Fan Motor, 1/2 HP, 1 Ph, 60 Hz, 460 V, 1075 RPM, 1 Speed, 48 Frame, SEMI ENCLOSED



Regal and Century are trademarks of Regal Rexnord Corporation or one of its affiliated companies.

©2023 Regal Rexnord Corporation, All Rights Reserved. MC017097E





**Nameplate Specifications**

Output HP	1/2 Hp	Output KW	0.37 kW
Frequency	60 Hz	Voltage	460 V
Current	1.2 A	Speed	1075 rpm
Service Factor	1	Phase	1
Duty	Air Over	Insulation Class	B
Frame	48Y	Enclosure	Semi Enclosed
Thermal Protection	Automatic	Ambient Temperature	60 °C
UL	Recognized	CSA	Y
CE	N	Number of Speeds	1

**Technical Specifications**

Electrical Type	Permanent Split Capacitor	Starting Method	Across The Line
Poles	6	Rotation	Reversible
Mounting	Extended Studs	Motor Orientation	Any
Drive End Bearing	Ball	Opp Drive End Bearing	Ball
Frame Material	Rolled Steel	Shaft Type	Double Flat
Overall Length	10.49 in	Frame Length	5.00 in
Shaft Diameter	0.500 in	Shaft Extension	4 in
Outline Drawing	FH1056S-S01	Connection Drawing	614131-150

This is an uncontrolled document once printed or downloaded and is subject to change without notice. Date Created:02/16/2023

4 3 2 1

版本	ECO	编制	日期	批准	日期
C	ECO-0026863	jrupert	08-09-2012	jrupert	08-09-2012

总技术要求:

轴跳动: .001[.03]/1[25.4]外伸轴

轴承: 球轴承

安装位置: 全方位

电气数据:

过载保护: 自动复位 (SENSATA 7AM 036)

引线: 18# (美制标准), 厚.06[1.5] EPDM 125° C 绝缘

换向线: 18# (美制标准), 厚.03[0.8] XLP 125° C 绝缘

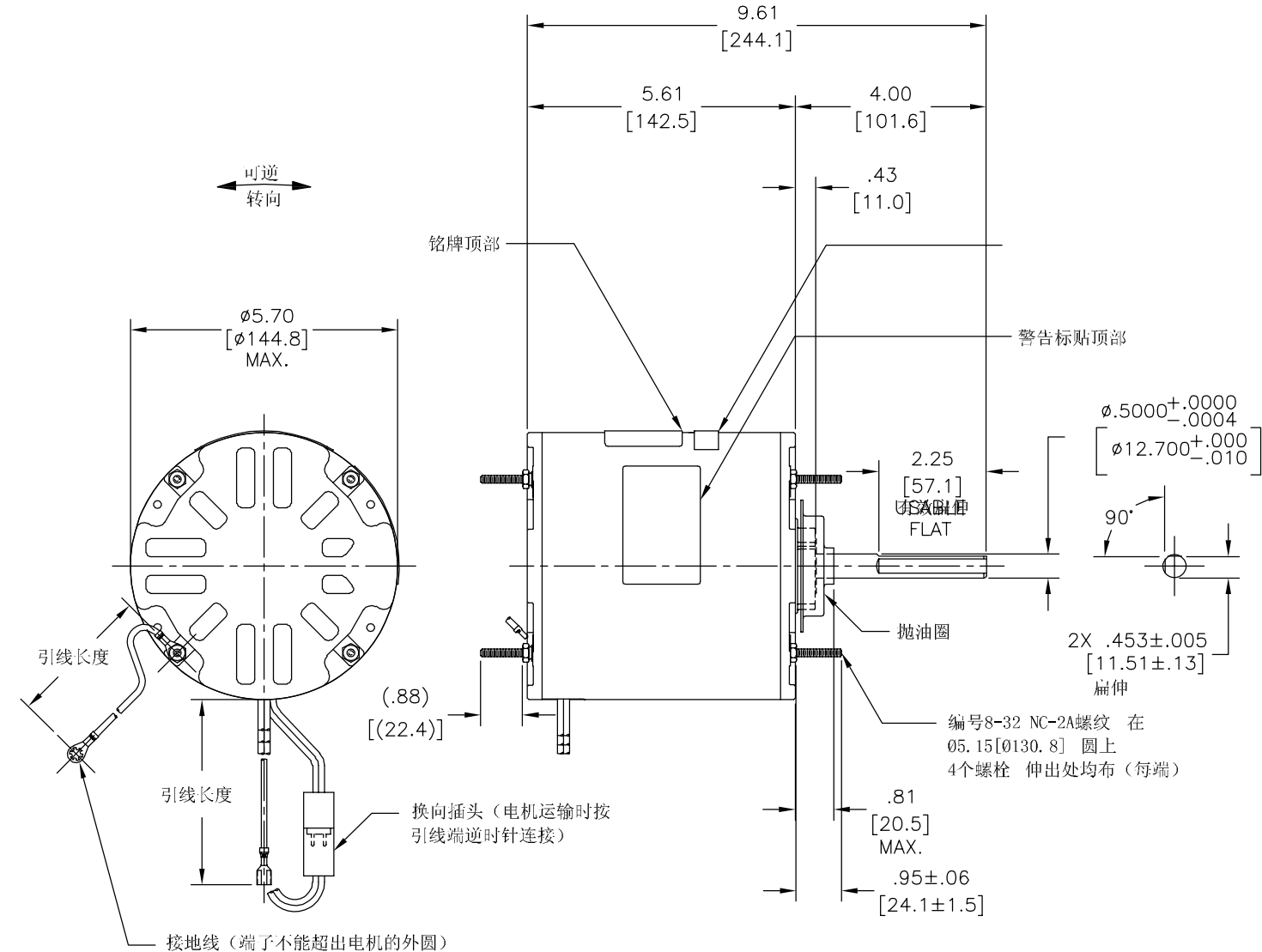
接地线: 18# (美制标准), 厚.03[0.8]绿色绝缘

铭牌数据	外部数据线
MODEL NO.: F48M75A01 CUST. P/N: FH1056S HP: 1/2 ROT.: REVERSIBLE RPM: 1075 TYPE: UF FRAME: 48Y VOLTS: 460 PH: 1 AMPS: 1.2 (1.35 MAX.) HZ: 60 INS.: B AMB.: 60°C DUTY: AIR OVER CAP.: 10 MFD/370 V ENCL: SEMI-ENCL. UL LOGO CSA LOGO THERMALLY PROTECTED	

性能曲线编号	转矩在 1075 RPM (25° C)	批准样品	UL 部件		CSA	
C31786	45.6 OZ. FT.	98AC363A	文件号	指南	文件号	指南
			E46412	PRGY2	LR43341	4211-01

形位公差 □ 平面度 — 直线度 < 倾斜度 ⊥ 垂直度 // 平行度 ○ 圆度 ⊙ 圆柱度 △ 面轮廓度 ⊖ 线轮廓度 ⤴ 圆跳动 ⊕ 位置度 ⊗ 同轴度 ≡ 对称度	ASME Y14.5M 1994
---	------------------

REGAL-BELOIT CORPORATION (RBC) 在个别领域为客户提供技术支持。鉴于RBC未收到任何涉及电机使用和应用环境的数据, 电机的适用性由客户自己决定。



绿 (接地线)	12.0/13.0 [305/330]	#10 带环线
黑/白	3.0/5.0 [76/127]	翻边插头
棕	26.0/28.0 [660/711]	
	26.0/28.0 [660/711]	
黑	26.0/28.0 [660/711]	
颜色	长度	端子或剥线长度

无引线端机壳	密封
无引线端端盖	密封
有引线端机壳	密封
有引线端端盖	密封

用户	DISTRIBUTION SERVICE
----	----------------------

绘图: jrupert 批准: jpmurphy 第三角投影 机密: 本图纸及相关信息所有权归REGAL-BELOIT CORPORATION。未经REGAL-BELOIT CORPORATION书面授权, 不得泄露、复制、传播或作其他用途。—版权所有	01-27-1999 01-28-1999 图纸格式发布日期 11-11-2011 图纸格式版本 H	名称: <b>REGAL REGAL-BELOIT CORPORATION</b> MODEL-RFHP-48FR OUTLINE 图幅: C 图号: FH1056S 比例: NONE 页号: 1
---	---	--

4 3 2 1

4

3

2

1

REV	ECO	REV BY	DATE	APPD	DATE
C	ECO-0026863	jrupert	08-09-2012	jrupert	08-09-2012

GENERAL INFORMATION:

SHAFT RUNOUT: .001 [.03] T.I.R. PER INCH LENGTH OF EXTENSION

BEARINGS: BALL

MOUNTING POSITION: ALL ANGLE

ELECTRICAL DATA:

OVERLOAD PROTECTOR: AUTOMATIC RESET (SENSATA 7AM 036)

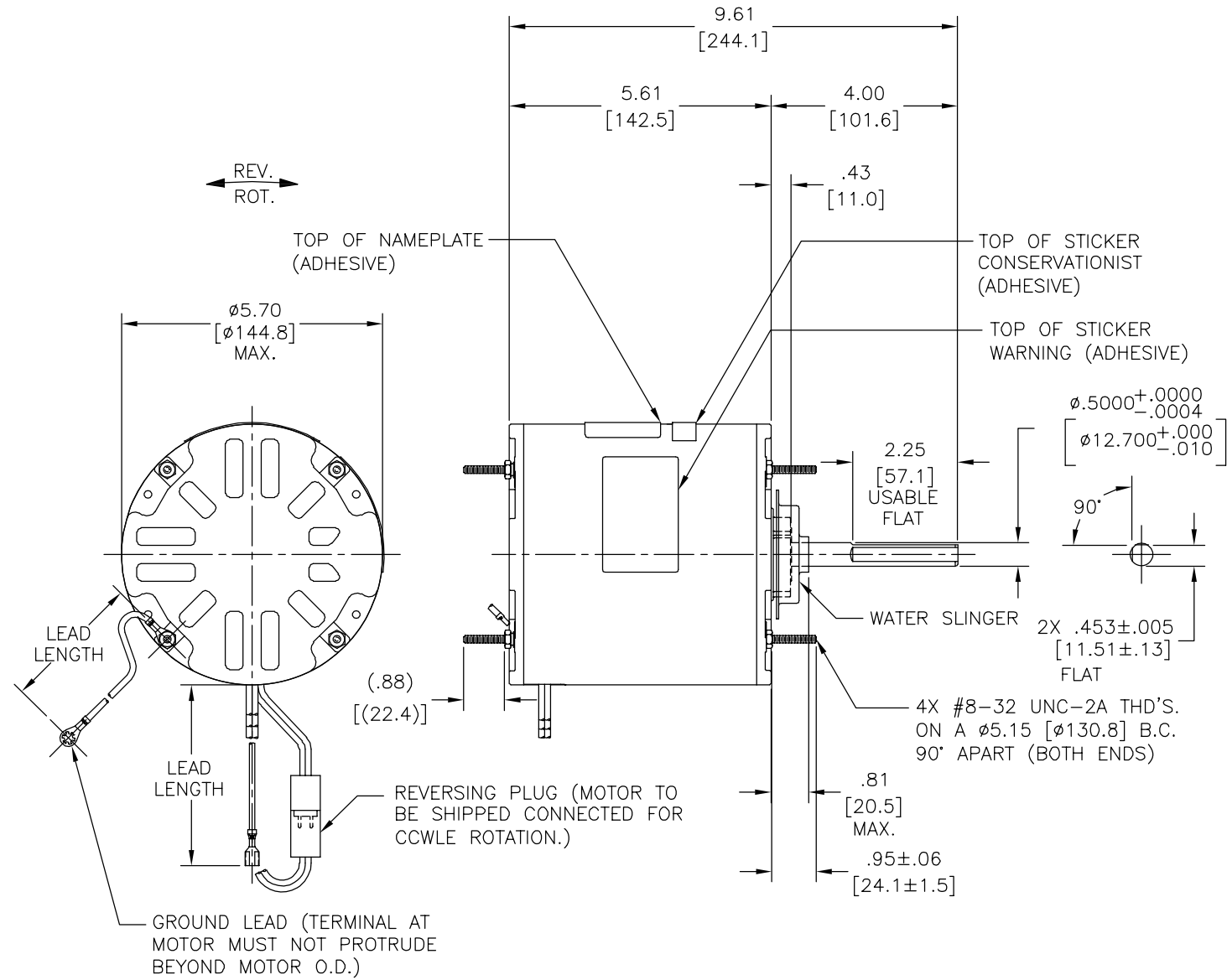
LINE LEADS: NO. 18 GA., .06 [1.5] THK. EPDM 125°C INSUL.

REVERSING PLUGS: NO. 18 GA., .03 [.8] THK. XLP 125°C INSUL.

GROUND LEAD: NO. 18 GA., .03 [.8] THK. (GREEN) INSUL.

NAMEPLATE DATA:	EXTERNAL CONNECTION DIAGRAM
MODEL NO.: F48M75A01 CUST. P/N: FH1056S HP: 1/2 ROT.: REVERSIBLE RPM: 1075 TYPE: UF FRAME: 48Y VOLTS: 460 PH: 1 AMPS: 1.2 (1.35 MAX.) HZ: 60 INS.: B AMB.: 60°C DUTY: AIR OVER CAP.: 10 MFD/370 V ENCL: SEMI-ENCL. UL LOGO CSA LOGO THERMALLY PROTECTED	

PERFORMANCE CURVE NO.	TORQUE @ 1075 RPM (25°C)	APPROVED SAMPLE	UL COMPONENT		CSA	
C31786	45.6 OZ. FT.	98AC363A	FILE #	CCN #	FILE #	CLASS #
			E46412	PRGY2	LR43341	4211-01



GREEN (GROUND)	12.0/13.0 [305/330]	#10 EYELET
BLACK/WHITE	3.0/5.0 [76/127]	REVERSING PLUG
BROWN	26.0/28.0 [660/711]	.25 [6.4] FEMALE SPADE
YELLOW	26.0/28.0 [660/711]	.25 [6.4] FEMALE SPADE
BLACK	26.0/28.0 [660/711]	.25 [6.4] FEMALE SPADE
COLOR	LENGTH	TERMINAL OR STRIP LENGTH

MAIN FRAME - OLE	ENCLOSED
END FRAME - OLE	ENCLOSED
MAIN FRAME - LE	ENCLOSED
END FRAME - LE	OPEN

CUSTOMER	DISTRIBUTION SERVICE
----------	----------------------

GEOMETRIC CHARACTERISTICS & SYMBOLS  
 □ FLATNESS  
 - STRAIGHTNESS  
 < ANGLARITY  
 ⊥ PERPENDICULARITY (SQUARENESS)  
 // PARALLELISM  
 ○ ROUNDNESS (CIRCULARITY)  
 ∅ CYLINDRICITY  
 △ PROFILE OF ANY SURFACE  
 ∩ PROFILE OF ANY LINE  
 ↗ RUNOUT  
 ⊕ TRUE POSITION  
 ⊙ CONCENTRICITY  
 = SYMMETRY  
 ASME Y14.5M 1994

REGAL-BELOIT CORPORATION (RBC) PROVIDES TECHNICAL ASSISTANCE TO OUR CUSTOMERS IN SEVERAL AREAS. SINCE RBC DOES NOT RECEIVE ALL DATA CONCERNING THE USE AND APPLICATION OF THE MOTOR, THE SUITABILITY OF THE MOTOR FOR THE APPLICATION MUST BE DETERMINED BY THE CUSTOMER.  
 DIMENSIONS WITHOUT TOLERANCES ARE FOR REFERENCE ONLY.

DR BY: jrupert 01-27-1999  
 APPD: jpmurphy 01-28-1999  
 EDS DATE 11-11-2011  
 FORMAT REV H  
 THIRD ANGLE PROJECTION  
 CONFIDENTIAL: THIS DRAWING AND ITS INFORMATION ARE THE EXCLUSIVE AND CONFIDENTIAL PROPERTY OF REGAL-BELOIT CORPORATION AND ARE NOT TO BE DISCLOSED, DUPLICATED, DISTRIBUTED OR OTHERWISE USED WITHOUT THE WRITTEN CONSENT OF REGAL-BELOIT CORPORATION. -ALL RIGHTS RESERVED.

**REGAL REGAL-BELOIT CORPORATION**

DESCRIPTION: MODEL-RFHP-48FR OUTLINE

SIZE: C DWG NO: FH1056S

SCALE: NONE SHEET: 1

4

3

2

1

4

3

2

1

REVISION:	ECO	REVISADO POR:	FECHA:	APROBADO POR:	FECHA:
C	ECO-0026863	jrupert	08-09-2012	jrupert	08-09-2012

**INFORMACION GENERAL:**

OSCILACION DE FLECHA: .001 [.03] T.I.R. PER INCH LENGTH OF EXTENSION

BALEROS: BALERO

POSICION DEL MONTAJE: TODOS LOS ANGULOS

**INFORMACION ELECTRICA:**

PROTECTOR DE SOBRECARGA: REINICIO AUTOMATIC SENSATA. 7AM 036)

CABLES: NO. 18 GA., .06 [1.5] THK. EPDM 125°C AISLAM.

CONEXION REVERSIBLE: NO. 18 GA., .03 [.8] THK. XLP 125°C AISLAM.

CABLE DE TIERRA: NO. 18 GA., .03 [.8] THK. (VERDE) AISLAM.

INFORMACION DE ETIQUETA:	DIAGRAMA DE CONEXION EXTRNA
MODEL NO.: F48M75A01 CUST. P/N: FH1056S HP: 1/2 ROT.: REVERSIBLE RPM: 1075 TYPE: UF FRAME: 48Y VOLTS: 460 PH: 1 AMPS: 1.2 (1.35 MAX.) HZ: 60 INS.: B AMB.: 60°C DUTY: AIR OVER CAP.: 10 MFD/370 V ENCL: SEMI-ENCL. UL LOGO CSA LOGO THERMALLY PROTECTED	

CURVAS DE FUNCIONAMIENTO	TORSION @ 1075 RPM (25°C)	MUESTRA APROBADA	COMPONENTE UL	CSA
C31786	45.6 OZ. FT.	98AC363A	#ARCHIVO CCN #	#ARCHIVO CLASE #
			E46412 PRGY2	LR43341 4211-01

CARACTERISTICAS DE GEOMETRIA Y SIMBOLOS □ PLANICIDAD — RECTITUD < ANGULARIDAD ⊥ PERPENDICULARIDAD (A ESCUADRA) // PARALELISMO ○ REDONDEZ (CIRCULARIDAD) ∅ CILINDRICIDAD △ PERFIL DE CUALQUIER SUPERFICIE ∩ PERFIL DE CUALQUIER LINEA ↗ VARIACION ⊕ POSICION REAL ⊙ CONCENTRICIDAD = SIMETRIA	REGAL-BELOIT CORPORATION (RBC) PROVEE ASISTENCIA TECNICA A NUESTROS CLIENTES EN VARIAS AREAS. DESDE QUE RBC NO RECIBE TODOS LOS DATOS EN RELACION AL USO Y A LA APLICACION DEL MOTOR, LA APLICACION ADECUADA DEL MOTOR DEBE SER DETERMINADA POR EL CLIENTE.  DIMENSIONES SIN TOLERANCIA SON DE REFERENCIA SOLAMENTE
---	---

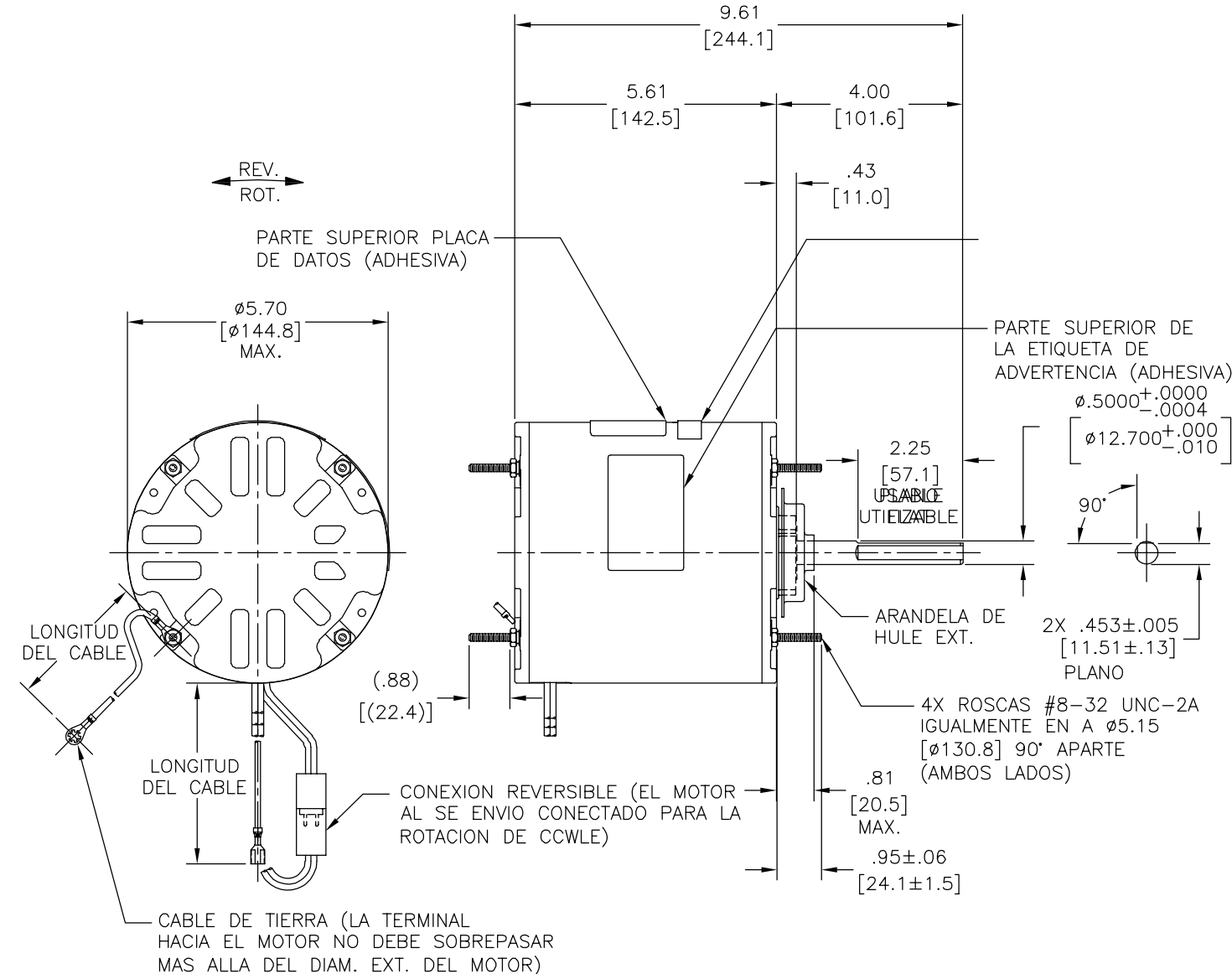
VERDE (TIERRA)	12.0/13.0 [305/330]	OJAL #10
NEGRO/BLANCO	3.0/5.0 [76/127]	CONEXION REVERSIBLE
CAFE	26.0/28.0 [660/711]	.25 [6.4] TERMINAL ESPADE HEMBRA
AMARILLO	26.0/28.0 [660/711]	.25 [6.4] TERMINAL ESPADE HEMBRA
NEGRO	26.0/28.0 [660/711]	.25 [6.4] TERMINAL ESPADE HEMBRA
COLOR	LONGITUD	TERMINAL O LONGITUD DE DESFORRE

DIBUJADO POR: jrupert	01-27-1999
APROBADO POR: jpmurphy	01-28-1999
TERCER ANGULO DE PROYECCION	FECHA EDS: 11-11-2011 REV. FORMATO: H
CONFIDENCIAL: ESTE DIBUJO Y SU INFORMACION SON PROPIEDAD DE USO EXCLUSIVO Y CONFIDENCIAL DE REGAL-BELOIT CORPORATION. Y NO DEBERAN SER REVELADOS, DUPLICADOS, DISTRIBUIDOS O USARSE DE OTRA MANERA SIN EL CONSENTIMIENTO ESCRITO DE REGAL-BELOIT CORPORATION. -TODOS LOS DERECHOS RESERVADOS.	

CARCASA - LOC	ENCERRADO
TAPA - LOC	ENCERRADO
CARCASA - LC	ENCERRADO
TAPA - LC	ABIERTA

CLIENTE	DISTRIBUTION SERVICE
---------	----------------------

<b>REGAL REGAL-BELOIT CORPORATION</b>	
DESCRIPCION: MODEL-RFHP-48FR OUTLINE	
TAMAÑO: C	NUMERO DE DIBUJO: FH1056S
ESCALA: NONE	HOJA: 1

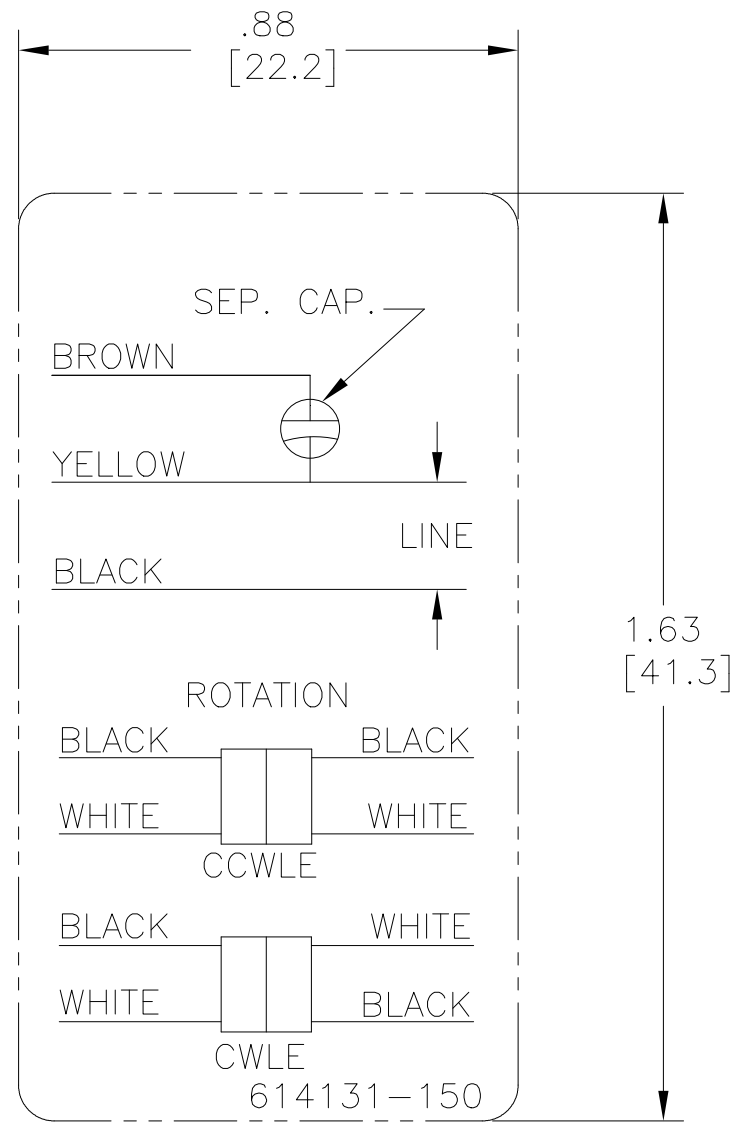


4

3

2

1



NOTES:

1. FOR USE WITH 614129 NAMEPLATE BLANK
2. — — — — — INDICATES DIMENSION LIMITS
3. DIE TO BE MADE FROM MASTER SUPPLIED BY REGAL BELOIT CORPORATION
4. DIE MUST PRODUCE A LEGIBLE IMPRESSION.

DRAWING REVISION C		REVISION BY J. RUPERT	DATE 09-14-2021	TOLERANCES UNLESS OTHERWISE SPECIFIED		DRAWN BY: J. RUPERT		<b>Regal Beloit America, Inc.</b>				
ECO NMR-0210334		APPROVED BY J. RUPERT	DATE 09-14-2021	DEC.	INCH	mm	ANGLE			DATE: 08-09-2012		
ECO DESCRIPTION REVISED FOR UP ISSUE				.X	±0.1	[±2.5]	±0.5°	APPROVED BY: J. RUPERT	DESCRIPTION CONN DIAGRAM-NAMEPLATE			
<small>COPYRIGHT REGAL BELOIT AMERICA, INC. ALL RIGHTS RESERVED. PROPRIETARY AND CONFIDENTIAL INFORMATION - THIS DOCUMENT IS THE PROPERTY OF REGAL BELOIT AMERICA, INC. ("OWNER") AND CONTAINS OWNER'S PROPRIETARY INFORMATION. ANY PERSON, CORPORATION OR OTHER FIRM RECEIVING IT IS DEEMED, BY RECEIVING IT, TO AGREE THAT IT, AND/OR ANY PART OF IT, SHALL NOT BE DISCLOSED TO ANY PERSON, CORPORATION OR OTHER ENTITY, DUPLICATED, AND/OR USED, EXCEPT AS EXPRESSLY APPROVED IN WRITING IN ADVANCE BY OWNER. THIS DOCUMENT SHALL BE RETURNED TO OWNER UPON REQUEST. IT MAY BE SUBJECT TO CERTAIN RESTRICTIONS UNDER APPLICABLE EXPORT CONTROL LAWS AND REGULATIONS.</small>				.XX	±0.02	[±0.51]		DATE: 08-09-2013				
								.XXX	±0.005	[±0.127]		REFERENCE
				.XXXX	±0.0005	[±0.0127]		THIRD ANGLE PROJECTION	SIZE	DWG NO	SHEET	
				REMOVE BURRS & BREAK SHARP EDGES .003/.015 [0.076/.381] X 45° CORNER FILLETS R.02 [51] MACHINED SURFACES					A	6 of 6	614131-150	1
				mm SHOWN IN [BRACKETS]								