

# PRODUCT INFORMATION PACKET



Model No: FM1026  
Catalog No: FM1026

Fan Coil & Air Conditioner Motor, 1/4 HP, 1 Ph, 60 Hz, 208-230 V, 1075 RPM, 3 Speed, 48 Frame, OPEN



Regal and Century are trademarks of Regal Rexnord Corporation or one of its affiliated companies.  
©2022 Regal Rexnord Corporation, All Rights Reserved. MC017097E





**Nameplate Specifications**

Output HP	1/4 Hp	Output KW	0.19 kW
Frequency	60 Hz	Voltage	208-230 V
Current	1.6 A	Speed	1075 rpm
Service Factor	1	Phase	1
Duty	Air Over	Insulation Class	B
Frame	48Y	Enclosure	Open Enclosed
Thermal Protection	Automatic	Ambient Temperature	50 °C
UL	Recognized	CSA	Y
CE	N	Number of Speeds	3

**Technical Specifications**

Electrical Type	Permanent Split Capacitor	Starting Method	Across The Line
Poles	6	Rotation	Reversible
Mounting	Flexible Arms	Motor Orientation	Horizontal
Drive End Bearing	Sleeve	Opp Drive End Bearing	Sleeve
Frame Material	Rolled Steel	Shaft Type	Flat
Overall Length	10.11 in	Frame Length	3.50 in
Shaft Diameter	0.500 in	Shaft Extension	6 in
Outline Drawing	FM1026-S01		

This is an uncontrolled document once printed or downloaded and is subject to change without notice. Date Created:12/08/2022

4

3

2

1

GENERAL INFORMATION:

SHAFT RUNOUT: .001 [.03] T.I.R. PER INCH LENGTH OF EXTENSION

BEARINGS: BALL

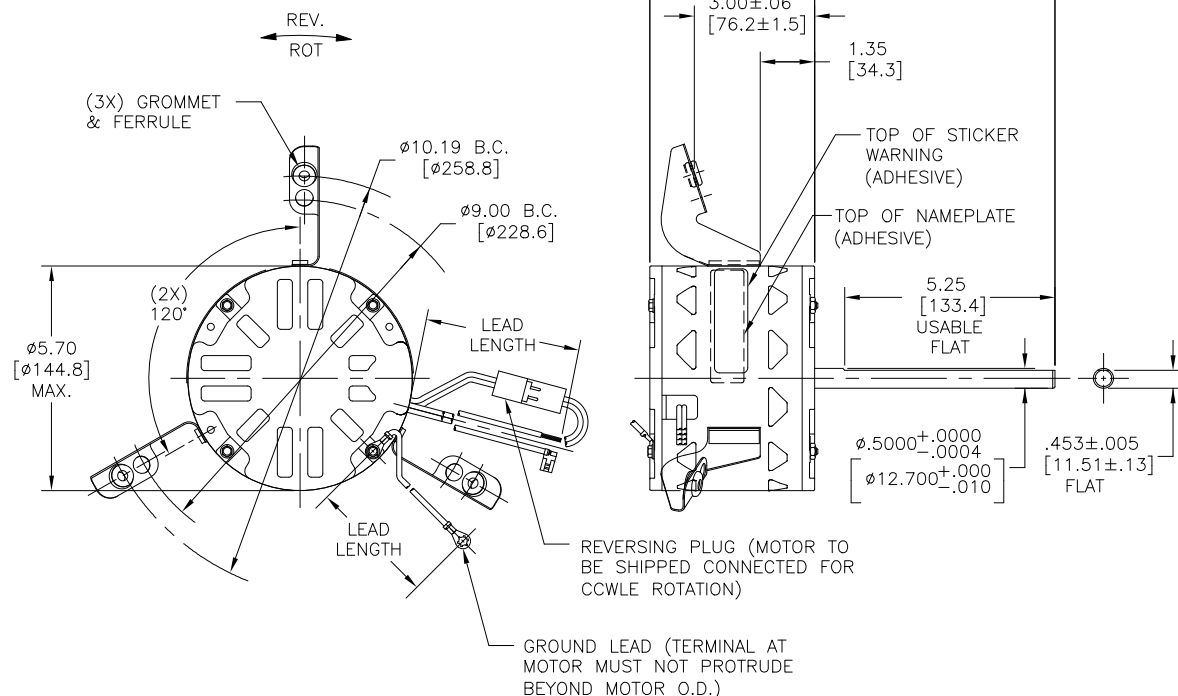
MOUNTING POSITION: HORIZONTAL

ELECTRICAL DATA:

OVERLOAD PROTECTOR: AUTOMATIC RESET (SENSATA 7AM 036)

LEADS: NO. 18 GA., .03 [.8] THK., XLP 125°C INSULATION

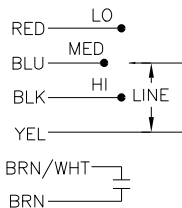
GROUND LEAD: NO. 18 GA., .03 [.8] THK., (GREEN) INSULATION



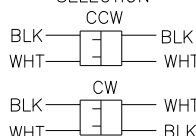
NAMEPLATE DATA:

EXTERNAL CONNECTION DIAGRAM

MODEL NO.: F48N90A01  
 CUST. P/N: FM1026  
 HP: 1/4  
 ROT.: REVERSIBLE  
 RPM: 1075/3 SPD.  
 TYPE: UF  
 FRAME: 48Y  
 VOLTS: 208-230  
 PH: 1  
 AMPS: 1.6  
 HZ: 60/50  
 INS.: B  
 AMB.: 50° C  
 DUTY: AIR OVER  
 CAP.: 5 MFD/370V  
 ENCL: OPEN  
 UL LOGO  
 CSA LOGO  
 THERMALLY PROTECTED



ROTATION SELECTION



PERFORMANCE CURVE NO.	TORQUE @ 1075 RPM (25°C)	APPROVED SAMPLE	UL COMPONENT		CSA	
			FILE #	CCN #	FILE #	CLASS #
C31886	25.5 OZ. FT	99AC399A	E46412	PRGY2	LR43341	4211-01

GREEN (GRD)	12.0/13.0 [305/330]	#10 EYELET
BLACK/WHITE	3.0/5.0 [76/127]	REVERSING PLUG
BROWN/WHITE	26.0/28.0 [660/711]	.25 [6.4] FLAG
BROWN	26.0/28.0 [660/711]	.25 [6.4] FLAG
YELLOW	26.0/28.0 [660/711]	.50 [12.7] SKIN
BLACK	26.0/28.0 [660/711]	.50 [12.7] SKIN
BLUE	26.0/28.0 [660/711]	.50 [12.7] SKIN
RED	26.0/28.0 [660/711]	.50 [12.7] SKIN
COLOR	LENGTH	TERMINAL OR STRIP LENGTH

REGAL-BELOIT CORPORATION (RBC) PROVIDES TECHNICAL ASSISTANCE TO OUR CUSTOMERS IN SEVERAL AREAS. SINCE RBC DOES NOT RECEIVE ALL DATA CONCERNING THE USE AND APPLICATION OF THE MOTOR, THE SUITABILITY OF THE MOTOR FOR THE APPLICATION MUST BE DETERMINED BY THE CUSTOMER.

DIMENSIONS WITHOUT TOLERANCES ARE FOR REFERENCE ONLY.

MAIN FRAME - OLE	OPEN
END FRAME - LE	OPEN
MAIN FRAME - LE	OPEN
END FRAME - LE	OPEN

CUSTOMER	DISTRIBUTION SERVICE
----------	----------------------

DRAWING REVISION: ECO NMR-0214075 CHANGED TO BALL BEARING

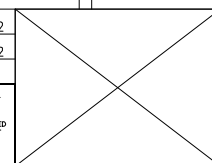
REVISION BY: J. RUPERT

APPROVED BY: J. RUPERT

DATE: 05-19-2022

DATE: 05-19-2022

THIRD ANGLE PROJECTION



DRAWN BY: J. RUPERT

DATE: 01-11-1995

APPROVED BY: T. RILEY

DATE: 01-24-1995

REFERENCE:

THIRD ANGLE PROJECTION

REGAL™ Regal Beloit America, Inc.

DESCRIPTION: MODEL-RFHP-48FR OUTLINE

MATERIAL:

PROCESS/FINISH:

SIZE DWG NO: C

FM1026

SHEET 1

4

3

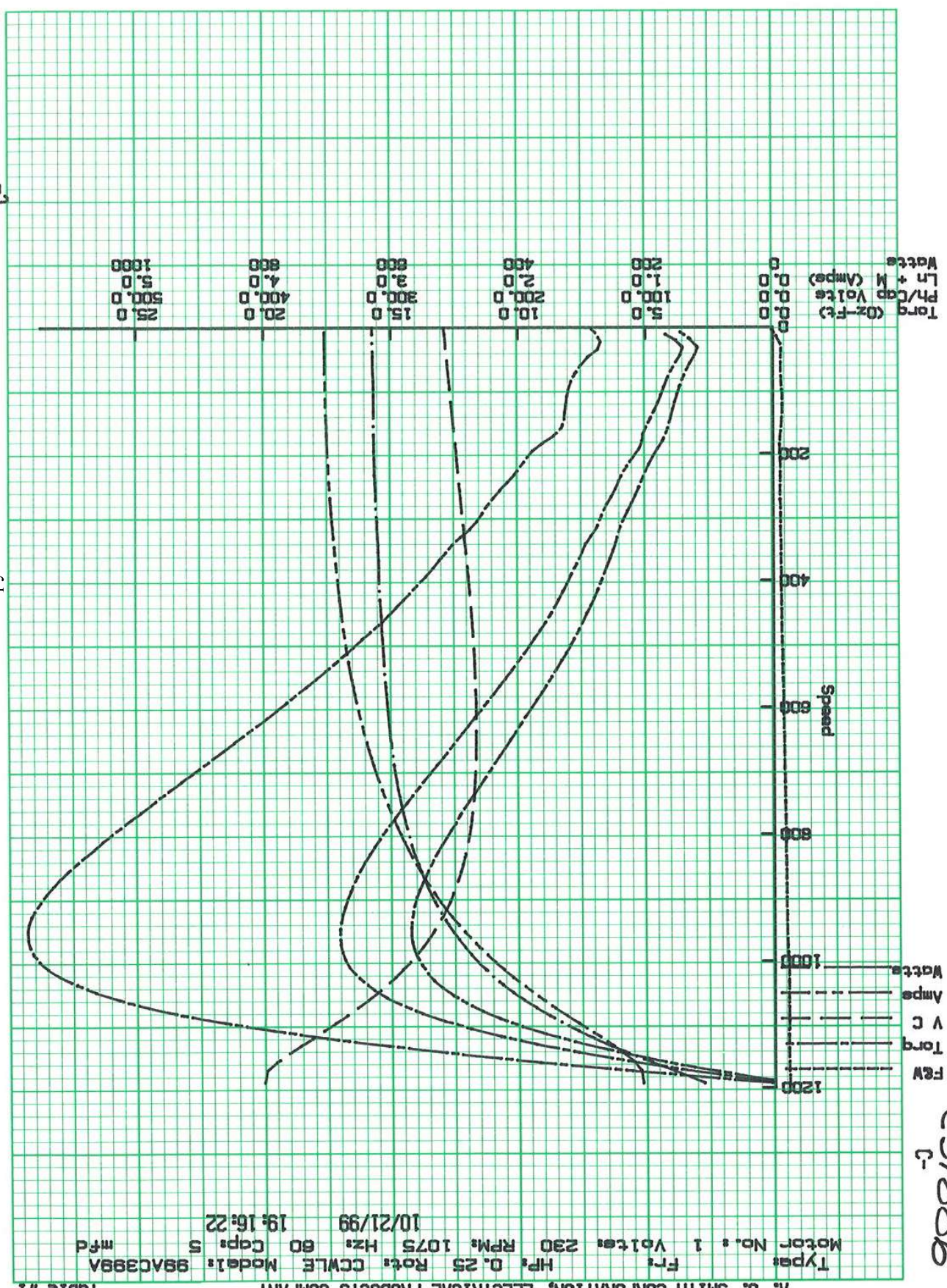
2

3 of 8

1

C-31886

Uncontrolled Copy



CAD ONE, INC.

NO. XY 1001-SP3

C-31886

C31886 Table #1

A. O. SMITH CORPORATION, ELECTRICAL PRODUCTS COMPANY



# Specification & Rating Report

Item Number: **FM1026**

Specification Number: **1**

Model Number: **F48N90A01**

Carton Label Model Number:

Customer Model Number:

Agency Type:

CE: **N**

CSA: **Y**

UL: **Y**

UL Explosion Proof Rating:

Sample Number:

Customer Specification Number:

Catalog Number: **FM1026**

CE Number:

CSA Number: **NO**

UL Number: **NO**

Cubic Feet Per Minute:

F2 Assembly:

UPC Model Number:

UPC Catalog Number: **786674021113**

Nameplate Drive Bearing Type:

Nameplate Opposite Drive Bearing Type:

Capacitor:

Capacitor Rating MFD: **5**

Control Code:

DC Design Number:

Form Factor:

Connection Diagram:

Lubrication Label Diagram:

Outline Diagram: **FM1026-S01**

Label Drive Bearing **BALL** Type:

Label Opposite Drive **BALL** Bearing Type:

Capacitor Included: **N**

Capacitor Rating VAC: **370**

Design Status:

Features:

Installation Diagram:

Warning Label Diagram:

Outline Graphic: **12A**

Ambient Temperature: **50**

Insulation Class: **B**



## Specification & Rating Report

Protector: <b>AUTOMATIC</b>	Thermal Protection:
Nameplate Overload:	Label Overload:
IP Code:	
Nameplate Enclosure: <b>OPEN</b>	Label Enclosure: <b>OPEN</b>
Frame Length: <b>3.5</b>	Frame Length UOM:
Frame Diameter:	Frame Diameter UOM:
Frame Size: <b>48Y</b>	
Frame Material: <b>ROLLED STEEL</b>	End Frame Material:
Operator Instruction Manual:	
Nameplate Mounting:	Label Mounting: <b>FLEX ARMS</b>
Base Height:	Base Height UOM:
Ring Diameter:	RingDiameterUOM:
Nameplate:	Carton Label:
Nameplate Location <b>L</b> Format:	
Brake:	Tachometer:
Layer Quantity:	Pallet Quantity:
Phase: <b>1</b>	CurrentType:
DC Pole:	
Poles: <b>6</b>	
Speeds: <b>3</b>	
Duty: <b>AIR OVER</b>	
Shaft Diameter: <b>1/2</b>	Shaft Diameter UOM: <b>IN</b>
Shaft Extension: <b>6</b>	Shaft Extension UOM: <b>IN</b>
Shaft Material:	Rotation: <b>REVERSIBLE</b>
Shaft Type: <b>FLAT</b>	
Motor Type: <b>UF</b>	
Motor Use:	
Nameplate 1:	
Nameplate 2:	
Nameplate Text 1: <b>USE BOTH ROTATION ARROWS</b>	



## Specification & Rating Report

---

Nameplate Text 2:

Nameplate Text 3:

Nameplate Text 4:

Label Text 1: **PERMANENT**

**SPLIT**

**CAPACITOR**

Label Text 2:

Label Text 3: **CONSERVATIONIST**

**DIRECT DRIVE**

**BLOWER FLEXIMOUNT**

**MOTOR**

Label Text 4:

Brand Line:

Vendor Line:

Motor Weight:

Motor Weight UOM:

Shipping Weight:

Shipping Weight UOM:

Armature Field

Winding:

Core Length:

Core Length UOM:

Winding Code:

Winding Specification:

Nameplate Only

Instructions:

Nameplate & Label

Instructions:

Label Only

Instructions:

## Specification & Rating Report



Rating Number: 1

Horsepower: **1/4**

Volts: **208-230**

Hertz: **60/50**

Field Current:

Revolutions Per **1075/3 SPD.**

Minute:

Service Factor: **1.0**

Service Factor Amps:

NEMA Code:

NEMA Design:

Customer Nameplate Number:

Kilowatts:

Amps: **1.6**

Maximum Amps:

Armature Current:

Power Factor:

Service Factor Volts:

NEMA Nominal Efficiency:

NEMA Guaranteed Efficiency: