

# PRODUCT INFORMATION PACKET



Model No: FM1036  
Catalog No: FM1036

Fan Coil & Air Conditioner Motor, 1/3 HP, 1 Ph, 60 Hz, 208-230 V, 1075 RPM, 3 Speed, 48 Frame, OPEN



Regal and Century are trademarks of Regal Rexnord Corporation or one of its affiliated companies.  
©2024 Regal Rexnord Corporation, All Rights Reserved. MC017097E





**Nameplate Specifications**

Phase	1	Output HP	1/3 Hp
Output KW	0.25 kW	Voltage	208-230 V
Speed	1075 rpm	Service Factor	1
Frame	48Y	Enclosure	Open Enclosed
Thermal Protection	Automatic	Ambient Temperature	50 °C
Frequency	60 Hz	Current	2.4 A
Duty	Air Over	Insulation Class	B
UL	Recognized	CSA	Y
CE	N	Number of Speeds	3

**Technical Specifications**

Electrical Type	Permanent Split Capacitor	Starting Method	Across The Line
Poles	6	Rotation	Reversible
Mounting	Flexible Arms	Motor Orientation	Horizontal
Drive End Bearing	Ball	Opp Drive End Bearing	Ball
Frame Material	Rolled Steel	Shaft Type	Flat
Overall Length	10.36 in	Frame Length	3.75 in
Shaft Diameter	0.500 in	Shaft Extension	6 in
Outline Drawing	FM1036-S01		

This is an uncontrolled document once printed or downloaded and is subject to change without notice. Date Created:09/17/2024

GENERAL INFORMATION:

SHAFT RUNOUT: .001[.03] T.I.R. PER INCH LENGTH OF EXTENSION.

BEARINGS: BALL

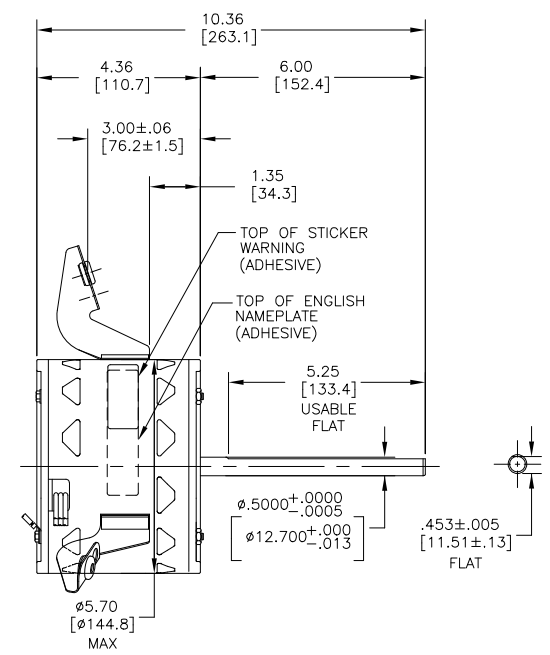
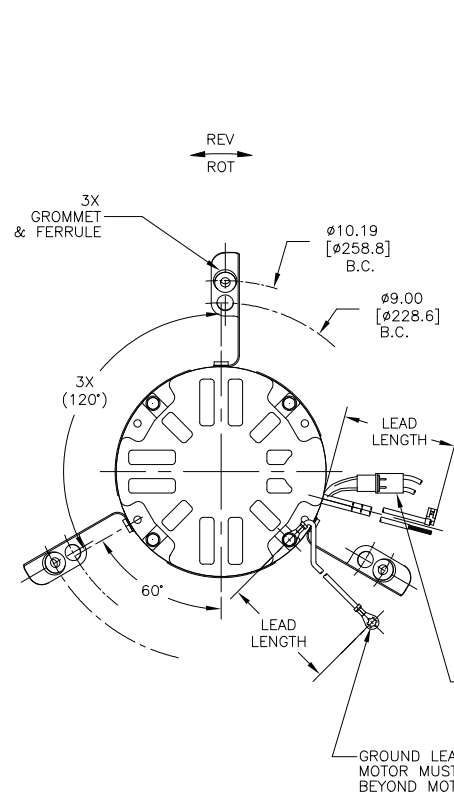
MOUNTING POSITION: HORIZONTAL

ELECTRICAL DATA:

OVERLOAD PROTECTOR: AUTOMATIC RESET (T.I. 7AM 036)

LEADS: NO. 18 GA., .03 THK., 125°C INSUL.

GROUND LEAD: NO. 18 GA., .03 THK., (GREEN) INSUL.



REVERSING PLUG (MOTOR TO BE SHIPPED CONNECTED FOR CCWLE ROTATION).

GROUND LEAD (TERMINAL AT MOTOR MUST NOT PROTRUDE BEYOND MOTOR O.D.).

- NOTES:  
 1. CTQ REQUIREMENT SEE EP000105-008.  
 2. RoHS & REACH ETC REQUIREMENT SEE EP000014

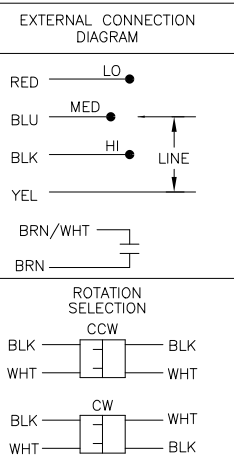
REGAL-BELOIT CORPORATION (RBC) PROVIDES TECHNICAL ASSISTANCE TO OUR CUSTOMERS IN SEVERAL AREAS. SINCE RBC DOES NOT RECEIVE ALL DATA CONCERNING THE USE AND APPLICATION OF THE MOTOR, THE SUITABILITY OF THE MOTOR FOR THE APPLICATION MUST BE DETERMINED BY THE CUSTOMER.

DIMENSIONS WITHOUT TOLERANCES ARE FOR REFERENCE ONLY.

ENCLOSURE	
END FRAME - LE	OPEN
MAIN FRAME - LE	OPEN
END FRAME - OLE	OPEN
MAIN FRAME - OLE	OPEN

CUSTOMER	DISTRIBUTION SERVICE
----------	----------------------

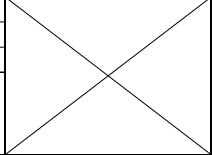
NAMEPLATE DATA:  
 MODEL NO.: F48N87A01  
 CUST. P/N: FM1036  
 HP: 1/3  
 ROT: REVERSIBLE  
 RPM: 1075/3 SPD.  
 TYPE: UF  
 FRAME: 48Y  
 VOLTS: 208-230  
 PH: 1  
 AMPS: 2.4  
 HZ: 60/50  
 INS: B  
 AMB: 50°C  
 DUTY: AIR OVER  
 CAP.: 7.5 MFD/370V  
 ENCL: OPEN  
 CSA LOGO  
 UL LOGO  
 THERMALLY PROTECTED



LEAD DATA		
COLOR	LENGTH	TERMINAL OR STRIP LENGTH
RED	26.0/28.0 [660/711]	.50 [12.7] SKIN
BLUE	26.0/28.0 [660/711]	.50 [12.7] SKIN
BLACK	26.0/28.0 [660/711]	.50 [12.7] SKIN
YELLOW	26.0/28.0 [660/711]	.50 [12.7] SKIN
BROWN	26.0/28.0 [660/711]	.25 [6.4] FLAG
BROWN/WHITE	26.0/28.0 [660/711]	.25 [6.4] FLAG
BLACK/WHITE	3.0/5.0 [76/127]	REVERSING PLUG
GREEN (GRD)	12.0/13.0 [304/330]	#10 EYELET

PERFORMANCE CURVE NO.	TORQUE @1075 RPM (25°C)	APPROVED SAMPLE	UL COMPONENT		CSA	
			FILE #	CCN #	FILE #	CLASS #
C31884	38.9 OZ. FT.	99AC397A	E46412	PRGY2	LR43341	4211-01

CRITICAL TO QUALITY CHARACTERISTICS(CTQs)	DRAWING REVISION G ECO ECR-0236874 SEE ECR	REVISION BY MINJING JIANG DATE 09-10-2024	DATE 09-10-2024
(P) PROCESS	APPROVED BY DEXIAN LU		
(E) ENGINEERING			
(A) APPLICATION			
(R) REGULATORY			
(L) LIFE			



DRAWN BY: TZ	DATE: 04-20-2011	REGAL™ Regal Beloit America, Inc.
APPROVED BY: TW	DATE: 04-20-2011	
PROCESS/FINISH	MATERIAL	DESCRIPTION MODEL-RFHP-48FR OUTLINE
THIRD ANGLE PROJECTION	SIZE C	DWG NO FM1036
		SHEET 1