

# PRODUCT INFORMATION PACKET



Model No: FML1076V1

Catalog No: FML1076V1

Fan Coil & Air Conditioner Motor, 3/4 HP, 1 Ph, 60/50 Hz, 115 V, 1075 RPM, 4 Speed, 48 Frame, OPEN



Regal and Century are trademarks of Regal Rexnord Corporation or one of its affiliated companies.  
©2025 Regal Rexnord Corporation, All Rights Reserved. MC017097E





**Nameplate Specifications**

Phase	1	Output HP	3/4 Hp
Output KW	0.56 kW	Voltage	115 V
Speed	1075 rpm	Service Factor	1.0
Frame	48Y	Enclosure	Open Enclosed
Thermal Protection	Automatic	Ambient Temperature	50 °C
Frequency	60/50 Hz	Current	10.9 A
Duty	Air Over	Insulation Class	A
UL	Recognized	CSA	Y
CE	N	Number of Speeds	4

**Technical Specifications**

Electrical Type	Permanent Split Capacitor	Starting Method	Across The Line
Poles	6	Rotation	Reversible
Mounting	Flexible Arms	Motor Orientation	Horizontal
Drive End Bearing	Ball	Opp Drive End Bearing	Ball
Frame Material	Rolled Steel	Shaft Type	Flat
Overall Length	11.36 in	Frame Length	4.75 in
Shaft Diameter	0.500 in	Shaft Extension	6 in
Outline Drawing	FML1076V1-S01		

This is an uncontrolled document once printed or downloaded and is subject to change without notice. Date Created:06/18/2025

GENERAL INFORMATION:

SHAFT RUNOUT: .001 [.03] T.I.R. PER INCH LENGTH OF EXTENSION

BEARINGS: BALL

MOUNTING POSITION: HORIZONTAL

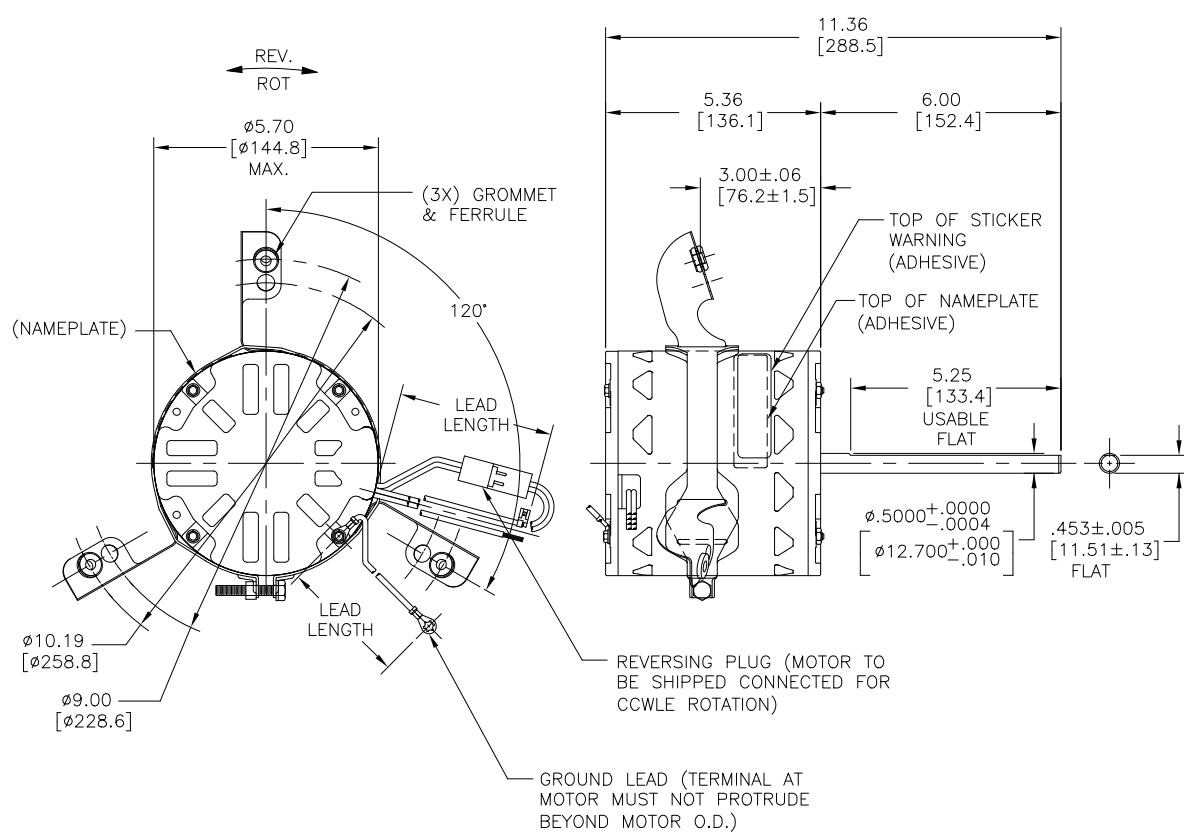
ELECTRICAL DATA:

OVERLOAD PROTECTOR: AUTOMATIC RESET (SENSATA 7AM 032)

LEADS: NO. 18 GA., .06 [1.5] THK., EPDM 125°C INSULATION

REVERSING LEADS: NO. 18 GA., .03 [.8] THK., XLP 125°C INSULATION

GROUND LEAD: NO. 18 GA., .03 [.8] THK., (GREEN) INSULATION



NAMEPLATE DATA:	EXTERNAL CONNECTION DIAGRAM
MODEL NO.: F48V36A01 CUST. P/N: FML1076V1 HP: 3/4 ROT.: REVERSIBLE RPM: 1075/4 SPD. TYPE: UF FRAME: 48Y VOLTS: 115 PH: 1 AMPS: 10.9 HZ: 60/50 INS.: B AMB.: 50° C DUTY: AIR OVER CAP.: 15 MFD/370V ENCL.: OPEN UL LOGO CSA LOGO THERMALLY PROTECTED	<p>ORN — LO</p> <p>RED — M-LO</p> <p>BLU — M-HI</p> <p>BLK — HI</p> <p>YEL — LINE</p> <p>BRN/WHT</p> <p>BRN</p> <p>ROTATION</p> <p>BLK — CCWLE</p> <p>WHT — CWLE</p>

GREEN (GRD)	12.0/13.0 [305/330]	#10 EYELET
BLACK/WHITE	3.0/5.0 [76/127]	REVERSING PLUG
BROWN/WHITE	26.0/28.0 [660/711]	.25 [6.4] FLAG
BROWN	26.0/28.0 [660/711]	.25 [6.4] FLAG
YELLOW	26.0/28.0 [660/711]	.50 [12.7] SKIN
BLACK	26.0/28.0 [660/711]	.50 [12.7] SKIN
BLUE	26.0/28.0 [660/711]	.50 [12.7] SKIN
RED	26.0/28.0 [660/711]	.50 [12.7] SKIN
ORANGE	26.0/28.0 [660/711]	.50 [12.7] SKIN
COLOR	LENGTH	TERMINAL OR STRIP LENGTH

REGAL-BELOIT CORPORATION (RBC) PROVIDES TECHNICAL ASSISTANCE TO OUR CUSTOMERS IN SEVERAL AREAS. SINCE RBC DOES NOT RECEIVE ALL DATA CONCERNING THE USE AND APPLICATION OF THE MOTOR, THE SUITABILITY OF THE MOTOR FOR THE APPLICATION MUST BE DETERMINED BY THE CUSTOMER.

DIMENSIONS WITHOUT TOLERANCES ARE FOR REFERENCE ONLY.

MAIN FRAME — OLE	OPEN
END FRAME — LE	OPEN
MAIN FRAME — LE	OPEN
END FRAME — LE	OPEN

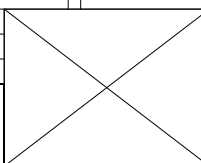
CUSTOMER	DISTRIBUTION SERVICE
----------	----------------------

PERFORMANCE CURVE NO.	TORQUE @ 1075 RPM (25°C)	APPROVED SAMPLE	UL COMPONENT FILE #	CCN #	CSA FILE #	CLASS #
C32356	77.0 OZ. FT	0442708C	E46412	PRGY2	LR43341	4211-01

DRAWING REVISION	REVISION BY	DATE
E	J. RUPERT	01-12-2023
ECO	APPROVED BY	DATE
NMR-0218765	J. RUPERT	01-12-2023

DESCRIPTION: CHANGED TO BALL BEARING

REGAL-BELOIT CORPORATION (RBC) PROVIDES TECHNICAL ASSISTANCE TO OUR CUSTOMERS IN SEVERAL AREAS. SINCE RBC DOES NOT RECEIVE ALL DATA CONCERNING THE USE AND APPLICATION OF THE MOTOR, THE SUITABILITY OF THE MOTOR FOR THE APPLICATION MUST BE DETERMINED BY THE CUSTOMER.



DRAWN BY:	DATE:
C. ZHOU	11-23-2018
APPROVED BY:	DATE:
T. NEIDERHÖLMEYER	11-23-2018

Regal Beloit America, Inc.	
DESCRIPTION	MODEL-RFHP-48FR OUTLINE
MATERIAL	PROCESS/FINISH
SIZE	DWG NO
C	FML1076V1
SHEET	1