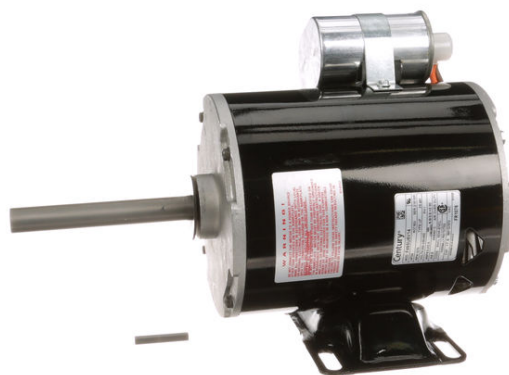


PRODUCT INFORMATION PACKET



Model No: FR1076
Catalog No: FR1076

Condenser Fan Motor, 3/4 HP, 1 Ph, 60 Hz, 208-230/460 V, 1075 RPM, 1 Speed, 48 Frame, OPEN



Regal and Century are trademarks of Regal Rexnord Corporation or one of its affiliated companies.
©2023 Regal Rexnord Corporation, All Rights Reserved. MC017097E





Nameplate Specifications

Output HP	3/4 Hp	Output KW	0.56 kW
Frequency	60 Hz	Voltage	208-230/460 V
Current	5.0/2.5 A	Speed	1075 rpm
Service Factor	1	Phase	1
Duty	Air Over	Insulation Class	B
Frame	48Y	Enclosure	Open Enclosed
Thermal Protection	Automatic	Ambient Temperature	60 °C
UL	Recognized	CSA	Y
CE	N	Number of Speeds	1

Technical Specifications

Electrical Type	Permanent Split Capacitor	Starting Method	Across The Line
Poles	6	Rotation	Reversible
Mounting	Rigid Base	Motor Orientation	Any
Drive End Bearing	Ball	Opp Drive End Bearing	Ball
Frame Material	Rolled Steel	Shaft Type	Keyed
Overall Length	12.19 in	Frame Length	6.25 in
Shaft Diameter	0.625 in	Shaft Extension	4.94 in
Connection Drawing	614131-122	Outline Drawing	FR1076-S01

This is an uncontrolled document once printed or downloaded and is subject to change without notice. Date Created:02/17/2023

4

3

2

1

REV	ECO	REV BY	DATE	APPD	DATE
B	0024331	J.ZHU	03-08-2012	B.SHEN	03-08-2012

GENERAL INFORMATION:

SHAFT RUNOUT: .001[.03] T.I.R. PER INCH LENGTH OF EXTENSION

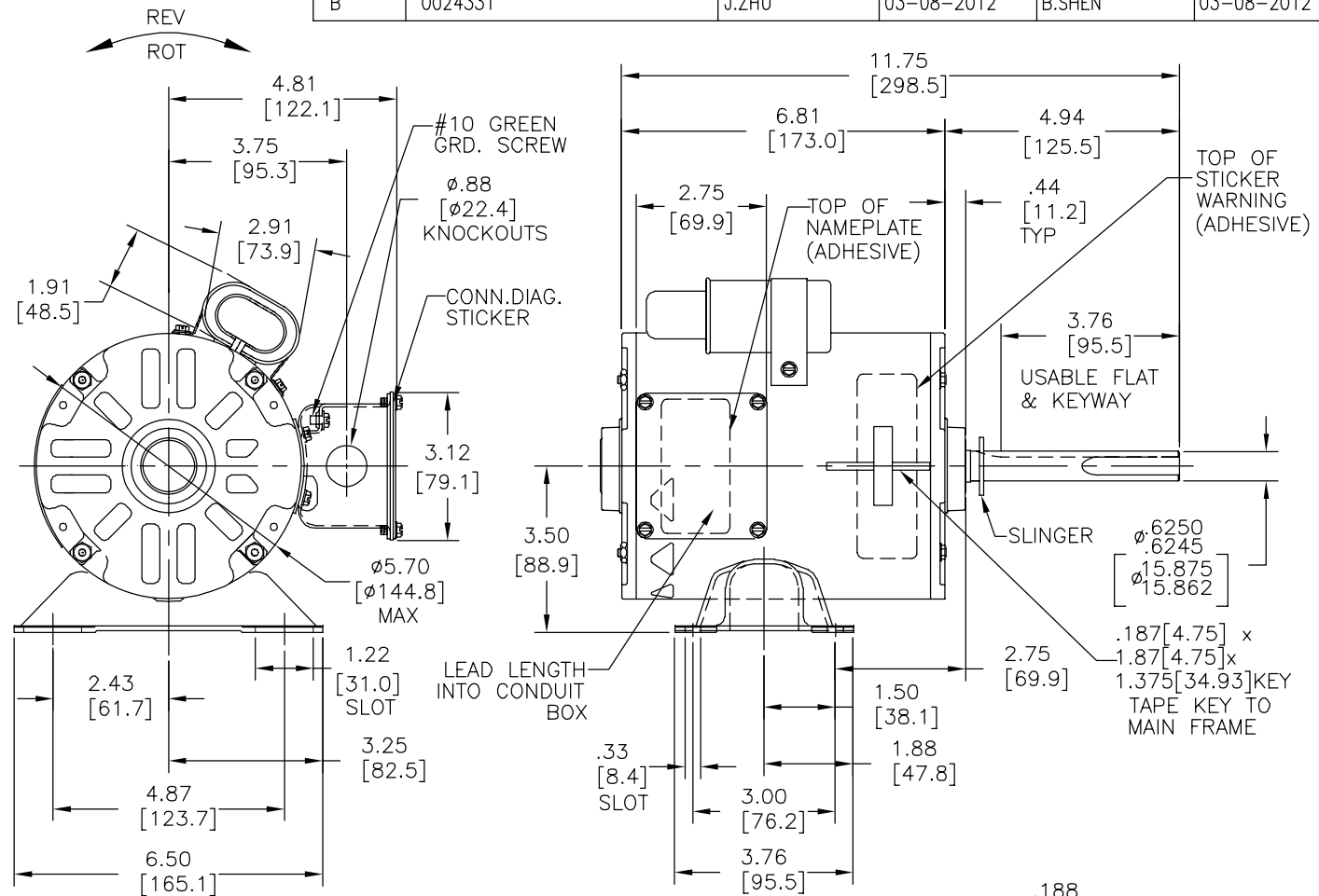
BEARINGS: BALL

MOUNTING POSITION: HORIZONTAL/VERTICLE SHAFT UP

ELECTRICAL DATA:

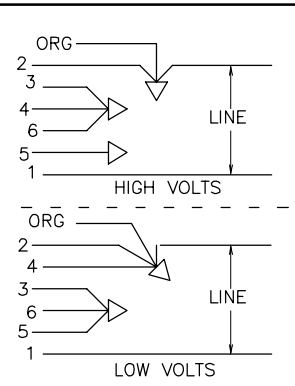
OVERLOAD PROTECTOR: AUTOMATIC RESET (T.I. 7AM 036)

LEADS: NO. 18 GA., .03[.8] THK., 125°C INSUL.



NAMEPLATE DATA: EXTERNAL CONNECTION DIAGRAM

MODEL NO.: F48SU6V14
 CUST. P/N: FR1076
 HP: 3/4
 ROT.: REVERSIBLE
 RPM: 1075
 TYPE: UF
 FRAME: 48Y
 VOLTS: 208-230/460
 PH: 1
 AMPS: 5.0/2.5 MAX AMPS:6.0/3.0
 HZ: 60
 INS.: B
 AMB.: 60° C
 DUTY: AIR OVER
 CAP.: 17.5 MFD/370V
 ENCL: SEMI-ENCL
 UL LOGO
 CSA LOGO
 THERMALLY PROTECTED



SHOWN FOR CCWLE ROT. FOR CWLE ROT. INTERCHANGE NO.6 AND ORANGE LEADS.

614131-122

ORANGE	CONNECTED TO CAPACITOR	.25[6.4] FLAG
BROWN	CONNECTED TO CAPACITOR	.25[6.4] FLAG
ORANGE	6.0/7.0 [152/178]	.50[12.7] SKIN
RED 1	6.0/7.0 [152/178]	.50[12.7] SKIN
RED 2	6.0/7.0 [152/178]	.50[12.7] SKIN
RED 3	6.0/7.0 [152/178]	.50[12.7] SKIN
YELLOW 4	6.0/7.0 [152/178]	.50[12.7] SKIN
YELLOW 5	6.0/7.0 [152/178]	.50[12.7] SKIN
YELLOW 6	6.0/7.0 [152/178]	.50[12.7] SKIN
COLOR	LENGTH	TERMINAL OR STRIP LENGTH

MAIN FRAME - OLE	ENCLOSED
END FRAME - OLE	ENCLOSED
MAIN FRAME - LE	SEMI-ENCLOSED
END FRAME - LE	OPEN

CUSTOMER	DISTRIBUTION SERVICE
----------	----------------------

PERFORMANCE CURVE NO.	TORQUE @ 1075 RPM (25°C)	APPROVED SAMPLE	UL COMPONENT FILE #	CCN #	CSA FILE #	CLASS #
C23774	77.9 OZ. FT.	EX11805-1	E46412	PRGY2	LR43341	4211-01

GEOMETRIC CHARACTERISTICS & SYMBOLS
 □ FLATNESS
 - STRAIGHTNESS
 < ANGLARITY
 ⊥ PERPENDICULARITY (SQUARENESS)
 // PARALLELISM
 ○ ROUNDNESS (CIRCULARITY)
 ∅ CYLINDRICITY
 △ PROFILE OF ANY SURFACE
 ∩ PROFILE OF ANY LINE
 ↑ RUNOUT
 ⊕ TRUE POSITION
 ⊙ CONCENTRICITY
 = SYMMETRY
 ASME Y14.5M 1994

REGAL-BELOIT CORPORATION (RBC) PROVIDES TECHNICAL ASSISTANCE TO OUR CUSTOMERS IN SEVERAL AREAS. SINCE RBC DOES NOT RECEIVE ALL DATA CONCERNING THE USE AND APPLICATION OF THE MOTOR, THE SUITABILITY OF THE MOTOR FOR THE APPLICATION MUST BE DETERMINED BY THE CUSTOMER.
 DIMENSIONS WITHOUT TOLERANCES ARE FOR REFERENCE ONLY.

DR BY: J.ZHU 03-08-2012
 APPD: B.SHEN 03-08-2012
 THIRD ANGLE PROJECTION
 EDS DATE 11-11-2011
 FORMAT REV G
 CONFIDENTIAL: THIS DRAWING AND ITS INFORMATION ARE THE EXCLUSIVE AND CONFIDENTIAL PROPERTY OF REGAL-BELOIT CORPORATION AND ARE NOT TO BE DISCLOSED, DUPLICATED, DISTRIBUTED OR OTHERWISE USED WITHOUT THE WRITTEN CONSENT OF REGAL-BELOIT CORPORATION. -ALL RIGHTS RESERVED.

REGAL-BELOIT CORPORATION
 DESCRIPTION: MODEL-RFHP-48FR OUTLINE
 SIZE: C DWG NO: FR1076
 SCALE: NONE SHEET: 1

4

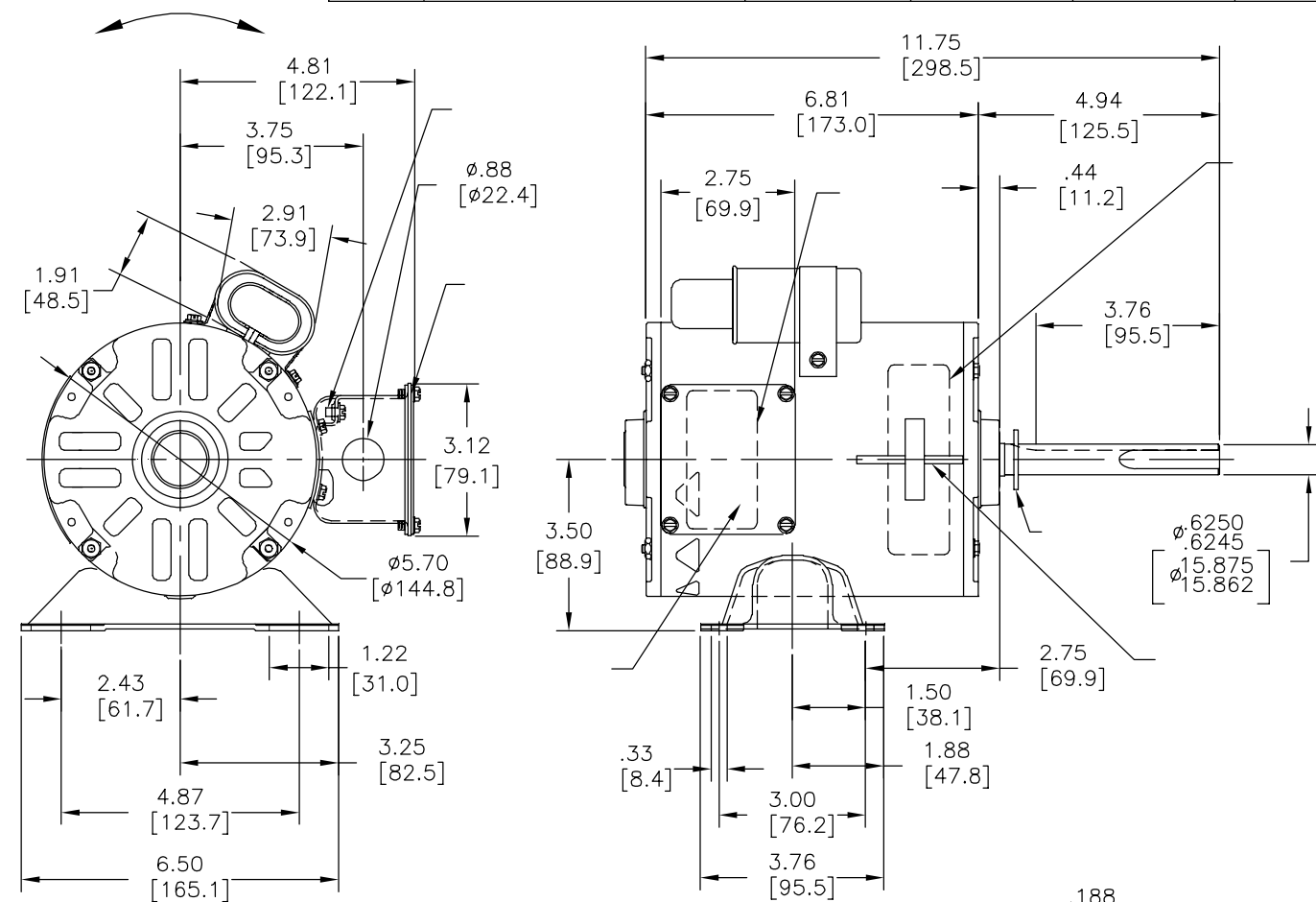
3

2

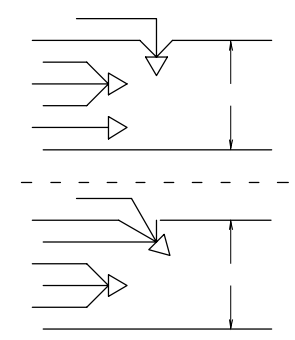
1

4 3 2 1

版本	ECO	编制	日期	批准	日期
B	0024331	J.ZHU	03-08-2012	B.SHEN	03-08-2012



MODEL NO.: F48SU6V14
 CUST. P/N: FR1076
 HP: 3/4
 ROT.: REVERSIBLE
 RPM: 1075
 TYPE: UF
 FRAME: 48Y
 VOLTS: 208-230/460
 PH: 1
 AMPS: 5.0/2.5 MAX AMPS:6.0/3.0
 HZ: 60
 INS.: B
 AMB.: 60° C
 DUTY: AIR OVER
 CAP.: 17.5 MFD/370V
 ENCL: SEMI-ENCL
 UL LOGO
 CSA LOGO
 THERMALLY PROTECTED



614131-122

		.25[6.4] FLAG
		.25[6.4] FLAG
6.0/7.0 [152/178]		.50[12.7] SKIN
6.0/7.0 [152/178]		.50[12.7] SKIN
6.0/7.0 [152/178]		.50[12.7] SKIN
6.0/7.0 [152/178]		.50[12.7] SKIN
6.0/7.0 [152/178]		.50[12.7] SKIN
6.0/7.0 [152/178]		.50[12.7] SKIN
6.0/7.0 [152/178]		.50[12.7] SKIN
6.0/7.0 [152/178]		.50[12.7] SKIN

C23774	77.9 OZ. FT.	EX11805-1	E46412	PRGY2	LR43341	4211-01
--------	--------------	-----------	--------	-------	---------	---------

- 形位公差
- 平面度
- 直线度
- ∠ 倾斜度
- ⊥ 垂直度
- ∥ 平行度
- 圆度
- ⊘ 圆柱度
- △ 面轮廓度
- ∩ 线轮廓度
- ↗ 圆跳动
- ⊕ 位置度
- ⊙ 同轴度
- ≡ 对称度

ASME Y14.5M 1994

REGAL-BELOIT CORPORATION (RBC) 在个别领域为客户提供技术支持。鉴于RBC未收到任何涉及电机使用和应用环境的数据，电机的适用性由客户自己决定。

未注公差尺寸仅供参考。

绘图:	J.ZHU	03-08-2012
批准:	B.SHEN	03-08-2012
第三角投影		图纸格式发布日期 11-11-2011 图纸格式版本 G
机密:	本图纸及相关信息所有权归REGAL-BELOIT CORPORATION。未经REGAL-BELOIT CORPORATION书面授权，不得泄露、复制、传播或作其他用途。一版权所有	



名称
MODEL-RFHP-48FR
OUTLINE

图幅	C	图号	FR1076
比例	NONE	页号	1

4 3 2 1

