

PRODUCT INFORMATION PACKET



Model No: FR1106
Catalog No: FR1106

Condenser Fan Motor, 1 HP, 1 Ph, 60 Hz, 208-230/460 V, 1075 RPM, 1 Speed, 56 Frame, OPEN



Regal and Century are trademarks of Regal Rexnord Corporation or one of its affiliated companies.
©2023 Regal Rexnord Corporation, All Rights Reserved. MC017097E





Nameplate Specifications

| | | | |
|--------------------|-------------------|---------------------|----------------------|
| Output HP | 1 Hp | Output KW | 0.75 kW |
| Frequency | 60 Hz | Voltage | 208-230/460 V |
| Current | 7.6/3.8 A | Speed | 1075 rpm |
| Service Factor | 1 | Phase | 1 |
| Duty | Air Over | Insulation Class | B |
| Frame | 56Y | Enclosure | Open Enclosed |
| Thermal Protection | Automatic | Ambient Temperature | 60 °C |
| UL | Recognized | CSA | Y |
| CE | N | Number of Speeds | 1 |

Technical Specifications

| | | | |
|-------------------|----------------------------------|-----------------------|-------------------------------|
| Electrical Type | Permanent Split Capacitor | Starting Method | Across The Line |
| Poles | 6 | Rotation | Reversible |
| Mounting | Rigid Base | Motor Orientation | Horizontal Or Shaft Up |
| Drive End Bearing | Ball | Opp Drive End Bearing | Ball |
| Frame Material | Rolled Steel | Shaft Type | Keyed |
| Overall Length | 12.94 in | Frame Length | 7.00 in |
| Shaft Diameter | 0.625 in | Shaft Extension | 4.94 in |
| Outline Drawing | FR1106-S01 | Connection Drawing | 614131-122 |

This is an uncontrolled document once printed or downloaded and is subject to change without notice. Date Created:02/16/2023

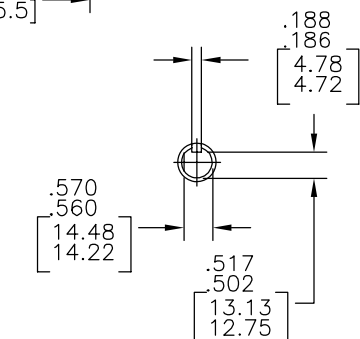
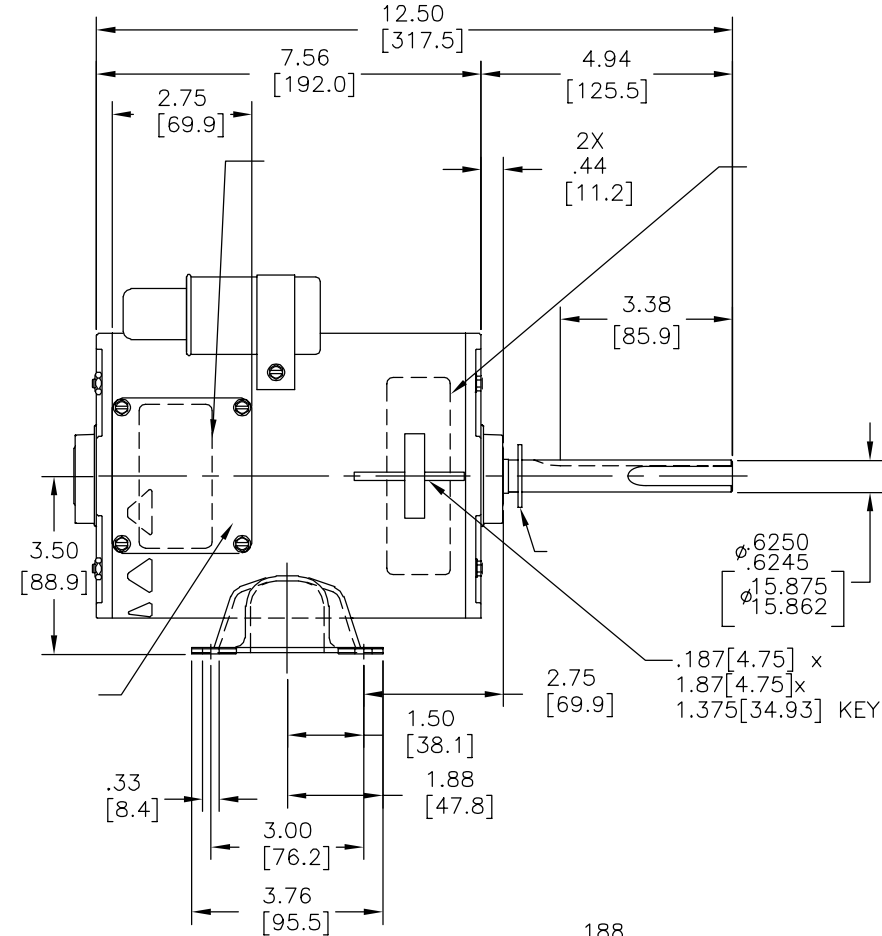
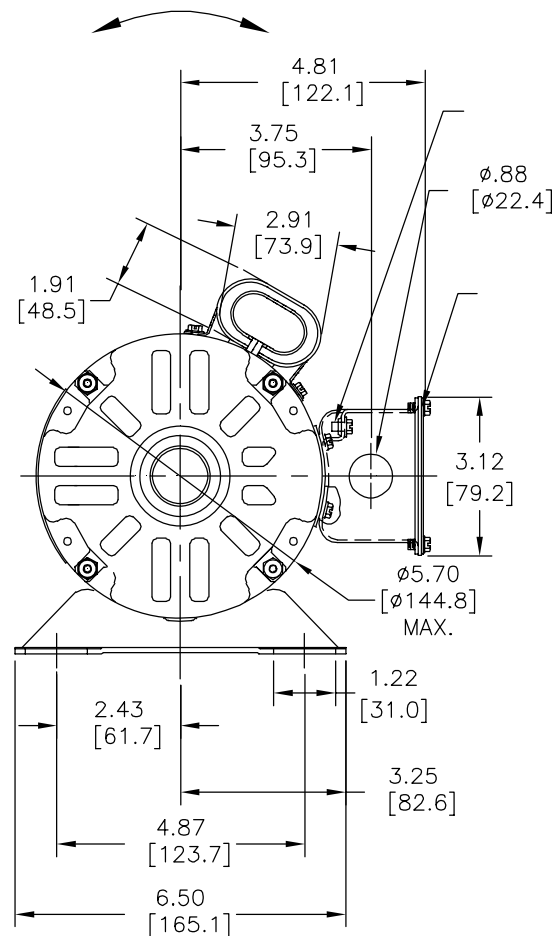
4

3

2

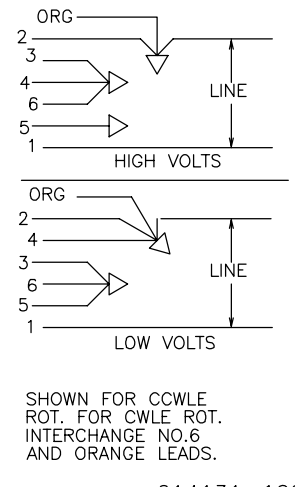
1

| | | | | | |
|----|---------|--------------|------------|----------------|------------|
| 版本 | ECO | 编制 | 日期 | 批准 | 日期 |
| C | 0038331 | G. RODRIGUEZ | 09-18-2013 | TERESITA REYES | 09-18-2013 |



| | | |
|--|-------------------|-----------|
| | | .25[6.4] |
| | | .25[6.4] |
| | 6.0/7.0 [152/178] | .50[12.7] |
| | 6.0/7.0 [152/178] | .50[12.7] |
| | 6.0/7.0 [152/178] | .50[12.7] |
| | 6.0/7.0 [152/178] | .50[12.7] |
| | 6.0/7.0 [152/178] | .50[12.7] |
| | 6.0/7.0 [152/178] | .50[12.7] |
| | 6.0/7.0 [152/178] | .50[12.7] |
| | 6.0/7.0 [152/178] | .50[12.7] |

MODEL NO.: F48SX6V22
 CUST. P/N: FR1106
 HP: 1
 ROT.: REVERSIBLE
 RPM: 1075
 TYPE: UF
 FRAME: 56Y
 VOLTS: 208-230/460
 PH: 1
 AMPS: 7.6/3.8 MAX AMPS:9.0/4.5
 HZ: 60
 INS.: B
 AMB.: 60° C
 DUTY: AIR OVER
 CAP.: 17.5 MFD/370V
 ENCL: SEMI-ENCL
 UL LOGO
 CSA LOGO
 THERMALLY PROTECTED



614131-122

| | | | | | | |
|--------|--------------|--------|--------|-------|---------|---------|
| C20443 | 77.9 OZ. FT. | SV2038 | E46412 | PRGY2 | LR43341 | 4211-01 |
|--------|--------------|--------|--------|-------|---------|---------|

- 形位公差
- 平面度
- 直线度
- ∠ 倾斜度
- ⊥ 垂直度
- // 平行度
- 圆度
- ⊘ 圆柱度
- ⊙ 面轮廓度
- △ 面轮廓度
- ⌒ 线轮廓度
- ⌒ 圆跳动
- ⊕ 位置度
- ⊙ 同轴度
- ≡ 对称度

ASME Y14.5M 1994

REGAL-BELOIT CORPORATION (RBC) 在个别领域为客户提供技术支持。鉴于RBC未收到任何涉及电机使用和应用环境的数据，电机的适用性由客户自己决定。

未注公差尺寸仅供参考。

| | | |
|-------|---|---------------------------------|
| 绘图: | J.ZHU | 03-08-2012 |
| 批准: | B.SHEN | 03-08-2012 |
| 第三角投影 | | 图纸格式发布日期 11-11-2011 图纸格式版本 H |
| 机密: | 本图纸及相关信息所有权归REGAL-BELOIT CORPORATION 未经REGAL-BELOIT CORPORATION书面授权，不得泄露、复制、传播或作其他用途。—版权所有 | |

REGAL REGAL-BELOIT CORPORATION

名称: MODEL-RFHP-48FR
OUTLINE

图幅: C 图号: FR1106

比例: NONE 页号: 1

4

3

2

1

4

3

2

1

| | | | | | |
|-----|---------|--------------|------------|----------------|------------|
| REV | ECO | REV BY | DATE | APPD | DATE |
| C | 0038331 | G. RODRIGUEZ | 09-18-2013 | TERESITA REYES | 09-18-2013 |

GENERAL INFORMATION:

SHAFT RUNOUT: .001[.03] T.I.R. PER INCH LENGTH OF EXTENSION

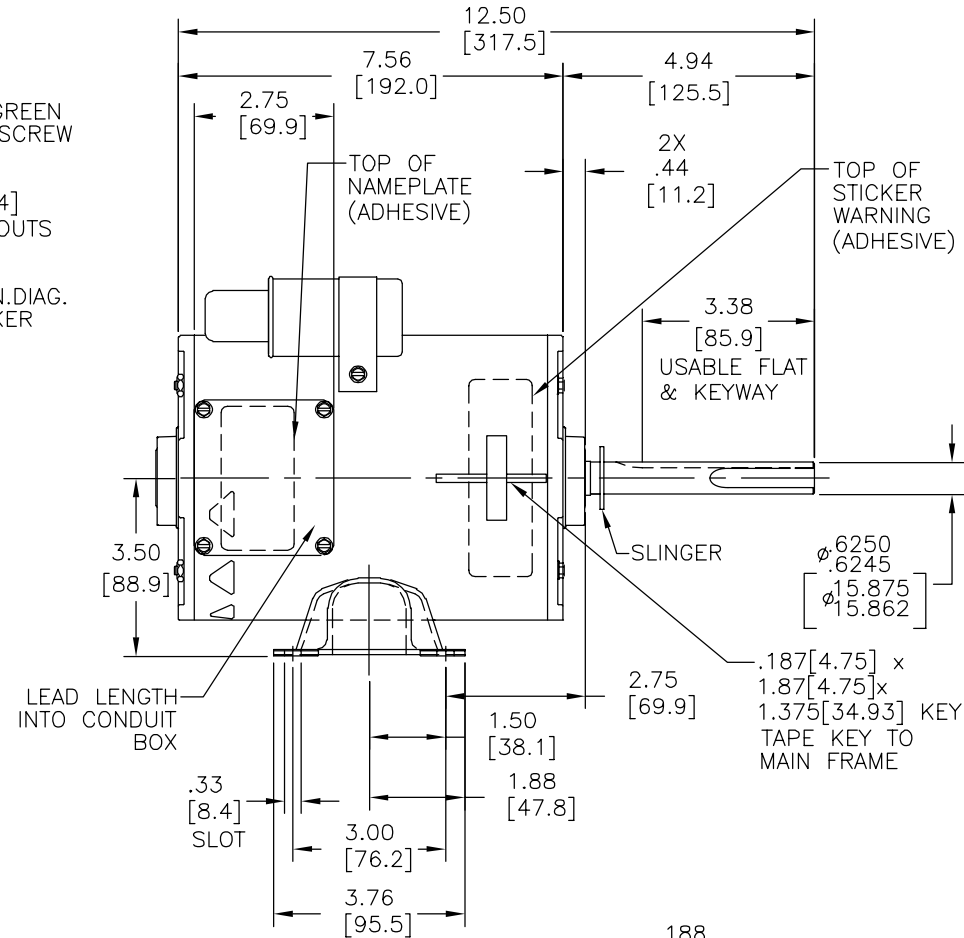
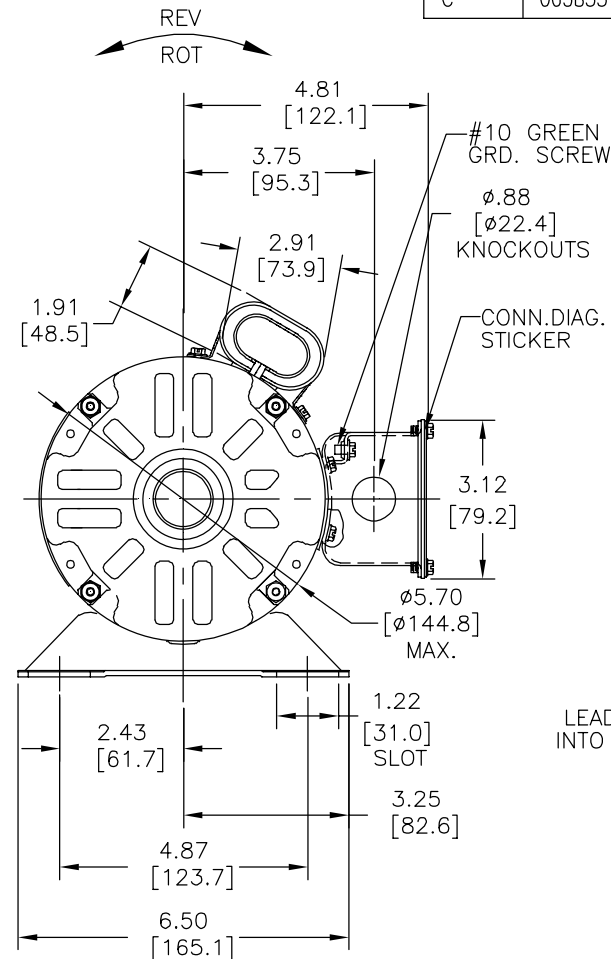
BEARINGS: BALL

MOUNTING POSITION: HORIZONTAL/VERTICLE SHAFT UP

ELECTRICAL DATA:

OVERLOAD PROTECTOR: AUTOMATIC RESET (SENSATA 7AM 036)

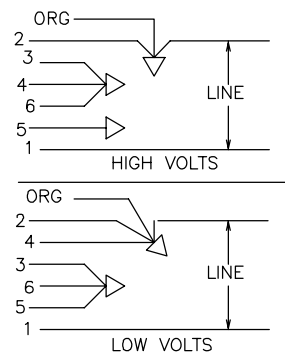
LEADS: NO. 18 GA., .03[.8] THK., 125°C INSUL.



NAMEPLATE DATA:

EXTERNAL CONNECTION DIAGRAM

MODEL NO.: F48SX6V22
 CUST. P/N: FR1106
 HP: 1
 ROT.: REVERSIBLE
 RPM: 1075
 TYPE: UF
 FRAME: 56Y
 VOLTS: 208-230/460
 PH: 1
 AMPS: 7.6/3.8 MAX AMPS:9.0/4.5
 HZ: 60
 INS.: B
 AMB.: 60° C
 DUTY: AIR OVER
 CAP.: 17.5 MFD/370V
 ENCL: SEMI-ENCL
 UL LOGO
 CSA LOGO
 THERMALLY PROTECTED



SHOWN FOR CCWLE ROT. FOR CWLE ROT. INTERCHANGE NO.6 AND ORANGE LEADS.

614131-122

| | | |
|----------|------------------------|--------------------------|
| ORANGE | CONNECTED TO CAPACITOR | .25[6.4] FLAG |
| BROWN | CONNECTED TO CAPACITOR | .25[6.4] FLAG |
| ORANGE | 6.0/7.0 [152/178] | .50[12.7] SKIN |
| RED 1 | 6.0/7.0 [152/178] | .50[12.7] SKIN |
| RED 2 | 6.0/7.0 [152/178] | .50[12.7] SKIN |
| RED 3 | 6.0/7.0 [152/178] | .50[12.7] SKIN |
| YELLOW 4 | 6.0/7.0 [152/178] | .50[12.7] SKIN |
| YELLOW 5 | 6.0/7.0 [152/178] | .50[12.7] SKIN |
| YELLOW 6 | 6.0/7.0 [152/178] | .50[12.7] SKIN |
| COLOR | LENGTH | TERMINAL OR STRIP LENGTH |

| | |
|------------------|---------------|
| MAIN FRAME - OLE | ENCLOSED |
| END FRAME - OLE | ENCLOSED |
| MAIN FRAME - LE | SEMI-ENCLOSED |
| END FRAME - LE | OPEN |

| | |
|----------|----------------------|
| CUSTOMER | DISTRIBUTION SERVICE |
|----------|----------------------|

| | | | | | | |
|----------------------------|--------------------------|-----------------|---------------------|-----------|---------|---------|
| PERFORMANCE CURVE NO. | TORQUE @ 1075 RPM (25°C) | APPROVED SAMPLE | UL COMPONENT FILE # | CSA CCN # | FILE # | CLASS # |
| C20443 C20444 C20446 | 77.9 OZ. FT. | SV2038 | E46412 | PRGY2 | LR43341 | 4211-01 |

GEOMETRIC CHARACTERISTICS & SYMBOLS
 ▽ FLATNESS
 - STRAIGHTNESS
 < ANGLARITY
 ⊥ PERPENDICULARITY (SQUARENESS)
 // PARALLELISM
 ○ ROUNDNESS (CIRCULARITY)
 ∅ CYLINDRICITY
 △ PROFILE OF ANY SURFACE
 ∩ PROFILE OF ANY LINE
 ↗ RUNOUT
 ⊕ TRUE POSITION
 ⊙ CONCENTRICITY
 = SYMMETRY
 ASME Y14.5M 1994

REGAL-BELOIT CORPORATION (RBC) PROVIDES TECHNICAL ASSISTANCE TO OUR CUSTOMERS IN SEVERAL AREAS. SINCE RBC DOES NOT RECEIVE ALL DATA CONCERNING THE USE AND APPLICATION OF THE MOTOR, THE SUITABILITY OF THE MOTOR FOR THE APPLICATION MUST BE DETERMINED BY THE CUSTOMER.

DIMENSIONS WITHOUT TOLERANCES ARE FOR REFERENCE ONLY.

DR BY: J.ZHU 03-08-2012
 APPD: B.SHEN 03-08-2012
 THIRD ANGLE PROJECTION
 CONFIDENTIAL: THIS DRAWING AND ITS INFORMATION ARE THE EXCLUSIVE AND CONFIDENTIAL PROPERTY OF REGAL-BELOIT CORPORATION AND ARE NOT TO BE DISCLOSED, DUPLICATED, DISTRIBUTED OR OTHERWISE USED WITHOUT THE WRITTEN CONSENT OF REGAL-BELOIT CORPORATION. -ALL RIGHTS RESERVED.

REGAL REGAL-BELOIT CORPORATION
 DESCRIPTION: MODEL-RFHP-48FR OUTLINE
 SIZE: C DWG NO: FR1106
 SCALE: NONE SHEET: 1

4

3

2

1

4

3

2

1

INFORMACION GENERAL:

OSCILACION DE FLECHA: .001[.03] L.T.I. POR PULGADA LONGITUD DE EXTENSION

BALEROS: BOLA

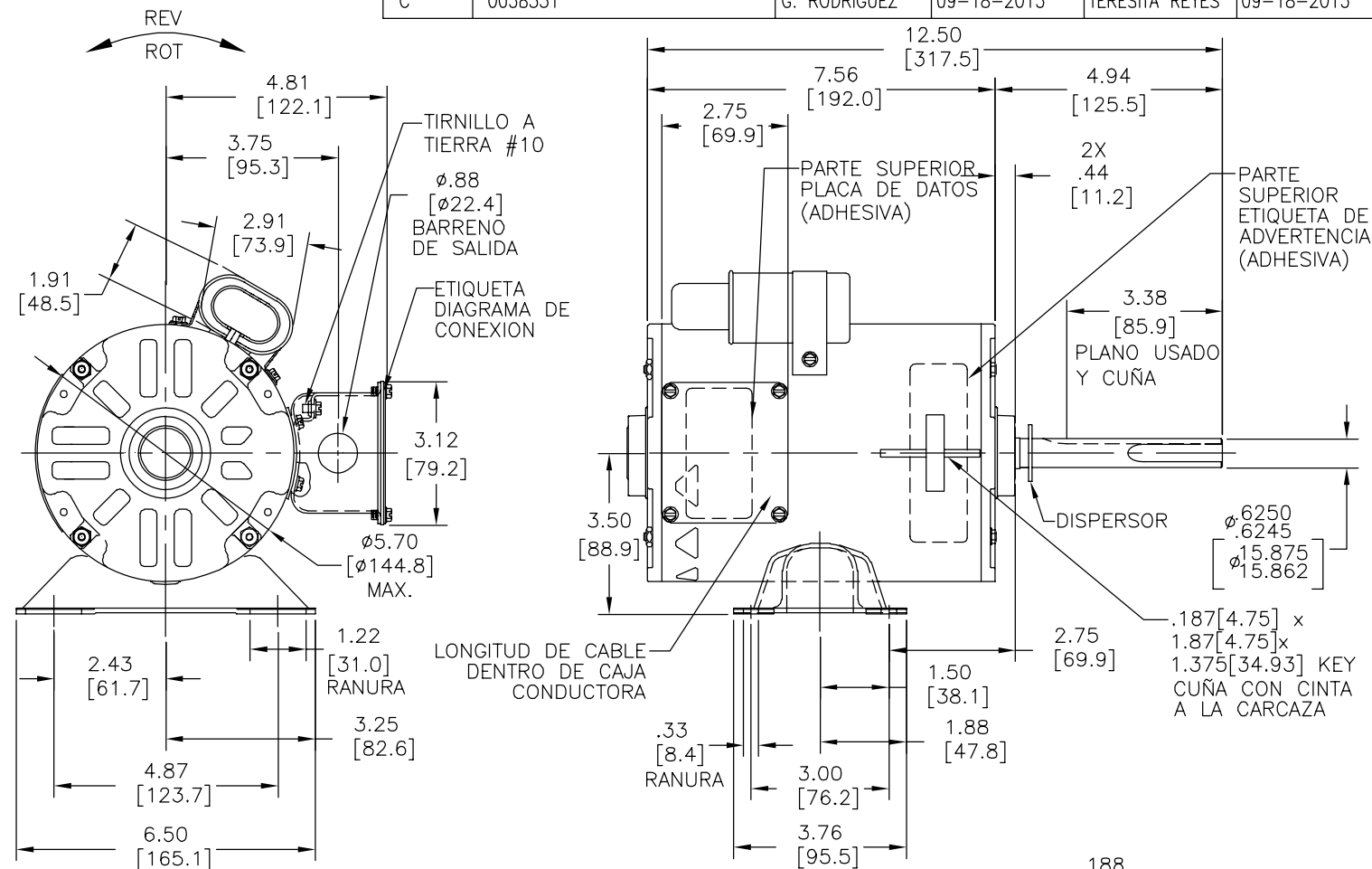
POSICION DEL MONTAJE: HORIZONTAL/VERTICAL FLECHA ARRIBA

INFORMACION ELECTRICA:

PROTECTOR DE SOBRECARGA: REINICIO AUTOMATICO (SENSATA 7AM 036)

CABLES: CALIBRE NO. 18, .03[.8] ESPESOR, 125°C AISLANTE

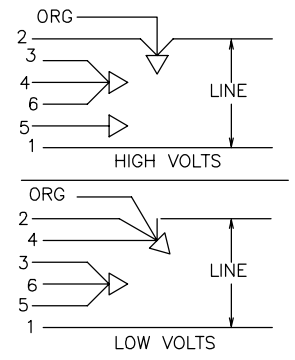
| | | | | | |
|-----------|---------|---------------|------------|----------------|------------|
| REVISION: | ECO | REVISADO POR: | FECHA: | APROBADO POR: | FECHA: |
| C | 0038331 | G. RODRIGUEZ | 09-18-2013 | TERESITA REYES | 09-18-2013 |



PLACA DE DATOS:

DIAGRAMA CONEXION EXTERNA

MODEL NO.: F48SX6V22
 CUST. P/N: FR1106
 HP: 1
 ROT.: REVERSIBLE
 RPM: 1075
 TYPE: UF
 FRAME: 56Y
 VOLTS: 208-230/460
 PH: 1
 AMPS: 7.6/3.8 MAX AMPS:9.0/4.5
 HZ: 60
 INS.: B
 AMB.: 60° C
 DUTY: AIR OVER
 CAP.: 17.5 MFD/370V
 ENCL: SEMI-ENCL
 UL LOGO
 CSA LOGO
 THERMALLY PROTECTED



SHOWN FOR CCWLE
 ROT. FOR CWLE ROT.
 INTERCHANGE NO.6
 AND ORANGE LEADS.

614131-122

| | | |
|------------|------------------------|---------------------------------|
| ANARANJADO | CONECTADO AL CAPACITOR | .25[6.4] BANDERA |
| CAFE | CONECTADO AL CAPACITOR | .25[6.4] BANDERA |
| ANARANJADO | 6.0/7.0 [152/178] | .50[12.7] FORRO |
| ROJO 1 | 6.0/7.0 [152/178] | .50[12.7] FORRO |
| ROJO 2 | 6.0/7.0 [152/178] | .50[12.7] FORRO |
| ROJO 3 | 6.0/7.0 [152/178] | .50[12.7] FORRO |
| AMARILLO 4 | 6.0/7.0 [152/178] | .50[12.7] FORRO |
| AMARILLO 5 | 6.0/7.0 [152/178] | .50[12.7] FORRO |
| AMARILLO 6 | 6.0/7.0 [152/178] | .50[12.7] FORRO |
| COLOR | LONGITUD | TERMINAL O LONGITUD DE DESFORRE |

| | |
|---------------|--------------|
| CARCASA - LOC | CERRADO |
| TAPA - LOC | CERRADO |
| CARCASA - LC | SEMI-CERRADO |
| TAPA - LC | ABIERTO |

| | |
|---------|--------------------------|
| CLIENTE | SERVICIO DE DISTRIBUCION |
|---------|--------------------------|

| | | | | |
|----------------------------|---------------------------|------------------|----------------|------------------|
| CURVAS DE FUNCIONAMIENTO | TORSION @ 1075 RPM (25°C) | MUESTRA APROBADA | COMPONENTE UL | CSA |
| C20443 C20444 C20446 | 77.9 OZ. FT. | SV2038 | #ARCHIVO CCN # | #ARCHIVO CLASE # |
| | | | E46412 PRGY2 | LR43341 4211-01 |

CARACTERISTICAS DE GEOMETRIA Y SIMBOLOS
 □ PLANICIDAD
 — RECTITUD
 < ANGULARIDAD
 ⊥ PERPENDICULARIDAD (A ESCUADRA)
 // PARALELISMO
 ○ REDONDEZ (CIRCULARIDAD)
 ∅ CILINDRICIDAD
 △ PERFIL DE CUALQUIER SUPERFICIE
 ∩ PERFIL DE CUALQUIER LINEA
 ↗ VARIACION
 ⊕ POSICION REAL
 ⊙ CONCENTRICIDAD
 = SIMETRIA

REGAL-BELOIT CORPORATION (RBC) PROVEE ASISTENCIA TECNICA A NUESTROS CLIENTES EN VARIAS AREAS. DESDE QUE RBC NO RECIBE TODOS LOS DATOS EN RELACION AL USO Y A LA APLICACION DEL MOTOR, LA APLICACION ADECUADA DEL MOTOR DEBE SER DETERMINADA POR EL CLIENTE.
 DIMENSIONES SIN TOLERANCIA SON DE REFERENCIA SOLAMENTE

DIBUJADO POR: J.ZHU 03-08-2012
 APROBADO POR: B.SHEN 03-08-2012
 TERCER ANGULO DE PROYECCION
 CONFIDENCIAL: ESTE DIBUJO Y SU INFORMACION SON PROPIEDAD DE USO EXCLUSIVO Y CONFIDENCIAL DE REGAL-BELOIT CORPORATION. Y NO DEBERAN SER REVELADOS, DUPLICADOS, DISTRIBUIDOS O USARSE DE OTRA MANERA SIN EL CONSENTIMIENTO ESCRITO DE REGAL-BELOIT CORPORATION. -TODOS LOS DERECHOS RESERVADOS.

REGAL REGAL-BELOIT CORPORATION

DESCRIPCION: MODEL-RFHP-48FR OUTLINE

TAMAÑO: C NUMERO DE DIBUJO: FR1106

ESCALA: NONE HOJA: 1

4

3

2

1

