

PRODUCT INFORMATION PACKET



Model No: FS1018
Catalog No: FS1018

Condenser Fan Motor, 1/6 HP, 1 Ph, 60 Hz, 208-230 V, 825 RPM, 2 Speed, 48 Frame, SEMI ENCLOSED



Regal and Century are trademarks of Regal Rexnord Corporation or one of its affiliated companies.
©2023 Regal Rexnord Corporation, All Rights Reserved. MC017097E





Nameplate Specifications

Output HP	1/6 Hp	Output KW	0.13 kW
Frequency	60 Hz	Voltage	208-230 V
Current	0.90 A	Speed	825 rpm
Service Factor	1	Phase	1
Duty	Air Over	Insulation Class	B
Frame	48Y	Enclosure	Semi Enclosed
Thermal Protection	Automatic	Ambient Temperature	60 °C
UL	Recognized	CSA	Y
CE	N	Number of Speeds	2

Technical Specifications

Electrical Type	Permanent Split Capacitor	Starting Method	Across The Line
Poles	8	Rotation	Reversible
Mounting	Extended Studs	Motor Orientation	Any
Drive End Bearing	Sleeve	Opp Drive End Bearing	Sleeve
Frame Material	Rolled Steel	Shaft Type	Double Flat
Overall Length	10.68 in	Frame Length	3.69 in
Shaft Diameter	0.500 in	Shaft Extension	6 in
Outline Drawing	FS1018-S01	Connection Drawing	614131-109

This is an uncontrolled document once printed or downloaded and is subject to change without notice. Date Created:02/16/2023

4

3

2

1

GENERAL INFORMATION:

SHAFT RUNOUT: .001[.03] T.I.R. PER INCH LENGTH OF EXTENSION.

END PLAY: .010[.25] TO .063[1.60]

BEARINGS: SLEEVE

MOUNTING POSITION: HORIZONTAL OR VERTICAL SHAFT UP

ELECTRICAL DATA:

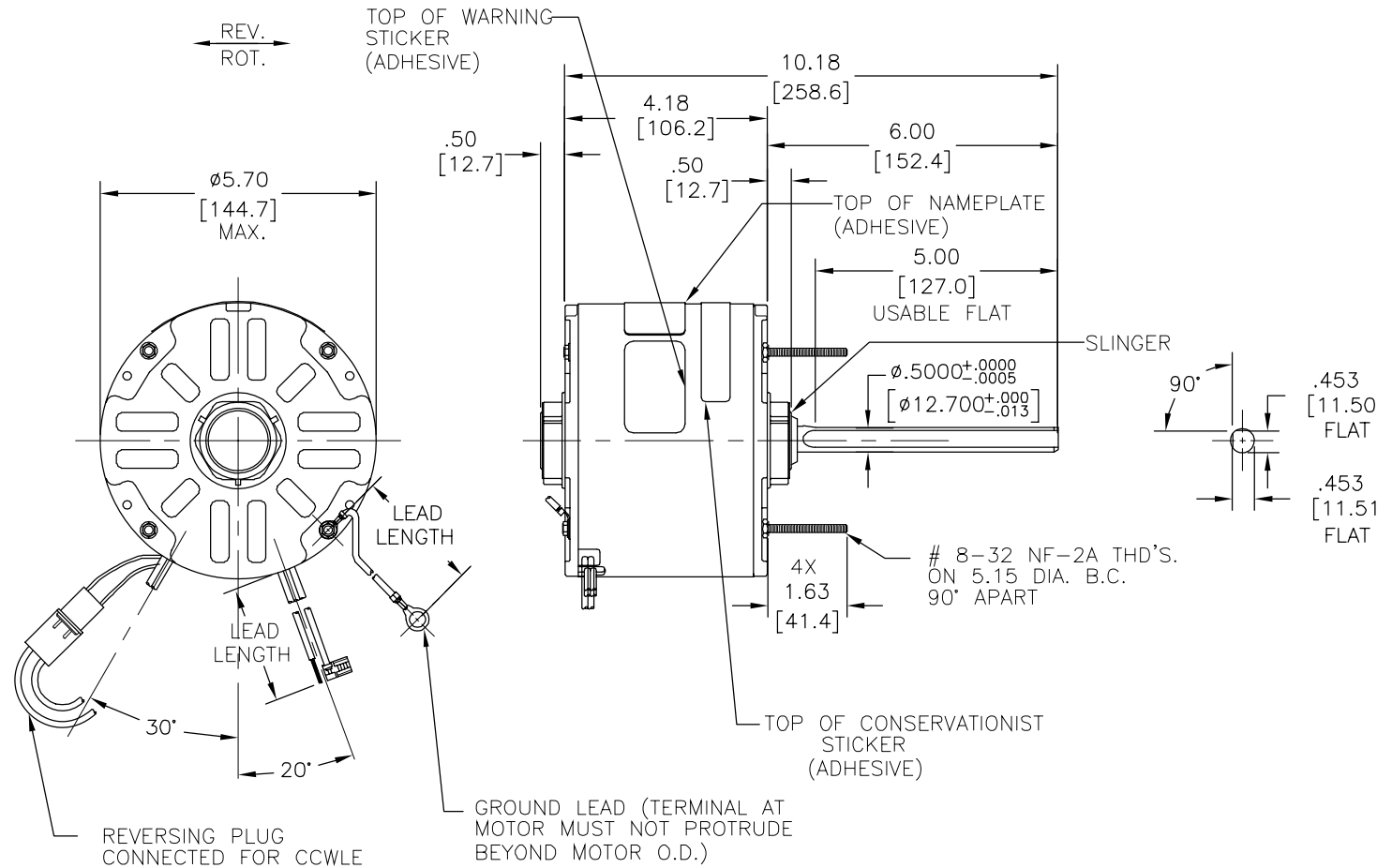
OVERLOAD PROTECTOR: AUTOMATIC RESET (T.I. 7AM 304)

LEADS: NO. 18 GA. .06[1.5] THK., 105°C PVC INSUL.

REVERSING LEADS: NO. 18 GA. .03[.8] THK., 125°C INSUL.

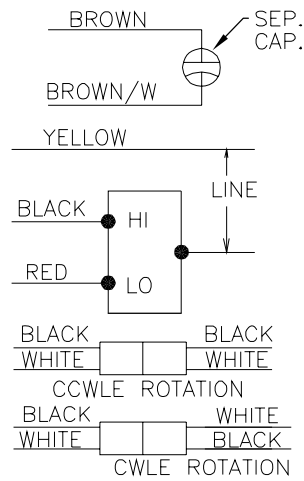
GROUND LEAD: NO. 18 GA. .03[.8] THK., GREEN INSUL.

REV	ECO	REV BY	DATE	APPD	DATE
B	ECO-0024331	MGU	02-22-2012	B.SHEN	02-22-2012



NAMEPLATE DATA: EXTERNAL CONNECTION DIAGRAM

MODEL NO.: F48C78A01
 CUST. P/N: FS1018
 HP: 1/6
 ROT.: REVERSIBLE
 RPM: 825/2 SPD.
 TYPE: UF
 FRAME: 48Y
 VOLTS: 208-230
 PH: 1
 AMPS: 0.9 (1.3 MAX)
 HZ: 60
 INS.: B*
 AMB.: 60° C
 DUTY: AIR OVER
 CAP.: 5 MFD/370 V
 ENCL: SEMI-ENCL.
 UL LOGO
 CSA LOGO
 THERMALLY PROTECTED



COLOR	LENGTH	TERMINAL OR STRIP LENGTH
GREEN (GRD)	11.0/13.0 [279/330]	#10 EYELET
BLACK/WHITE	3.5/5.5 [89/140]	REVERSING PLUG
RED	26.0/28.0 [660/711]	.50[12.7] STRIP
BROWN	26.0/28.0 [660/711]	.25[6.4] FLAG
BROWN/WHT	26.0/28.0 [660/711]	.25[6.4] FLAG
YELLOW	26.0/28.0 [660/711]	.50[12.7] STRIP
BLACK	26.0/28.0 [660/711]	.50[12.7] STRIP
COLOR	LENGTH	TERMINAL OR STRIP LENGTH

ENCLOSURE	CUSTOMER	DISTRIBUTION SERVICE
MAIN FRAME - OLE	ENCLOSED	
END FRAME - OLE	ENCLOSED	
MAIN FRAME - LE	ENCLOSED	
END FRAME - LE	OPEN	

PERFORMANCE CURVE NO.	TORQUE @ 825 RPM (25°C)	APPROVED SAMPLE	UL COMPONENT FILE #	CCN #	CSA FILE #	CLASS #
C30871	20.5 OZ. FT.	92AC246C	E46412	PRGY2	LR43341	4211-01

GEOMETRIC CHARACTERISTICS & SYMBOLS
 □ FLATNESS
 — STRAIGHTNESS
 < ANGLARITY
 ⊥ PERPENDICULARITY (SQUARENESS)
 // PARALLELISM
 ○ ROUNDNESS (CIRCULARITY)
 ∅ CYLINDRICITY
 △ PROFILE OF ANY SURFACE
 ∩ PROFILE OF ANY LINE
 ↗ RUNOUT
 ⊕ TRUE POSITION
 ⊙ CONCENTRICITY
 = SYMMETRY
 ASME Y14.5M 1994

REGAL-BELOIT CORPORATION (RBC) PROVIDES TECHNICAL ASSISTANCE TO OUR CUSTOMERS IN SEVERAL AREAS. SINCE RBC DOES NOT RECEIVE ALL DATA CONCERNING THE USE AND APPLICATION OF THE MOTOR, THE SUITABILITY OF THE MOTOR FOR THE APPLICATION MUST BE DETERMINED BY THE CUSTOMER.
 DIMENSIONS WITHOUT TOLERANCES ARE FOR REFERENCE ONLY.

DR BY: M.GU 02-22-2012
 APPD: B.SEHN 02-22-2012
 EDS DATE 11-11-2011
 FORMAT REV G
 THIRD ANGLE PROJECTION
 CONFIDENTIAL: THIS DRAWING AND ITS INFORMATION ARE THE EXCLUSIVE AND CONFIDENTIAL PROPERTY OF REGAL-BELOIT CORPORATION AND ARE NOT TO BE DISCLOSED, DUPLICATED, DISTRIBUTED OR OTHERWISE USED WITHOUT THE WRITTEN CONSENT OF REGAL-BELOIT CORPORATION. -ALL RIGHTS RESERVED.

REGAL-BELOIT CORPORATION
 DESCRIPTION: MODEL-RFHP-48FR OUTLINE
 SIZE: C DWG NO: FS1018
 SCALE: NONE SHEET: 1

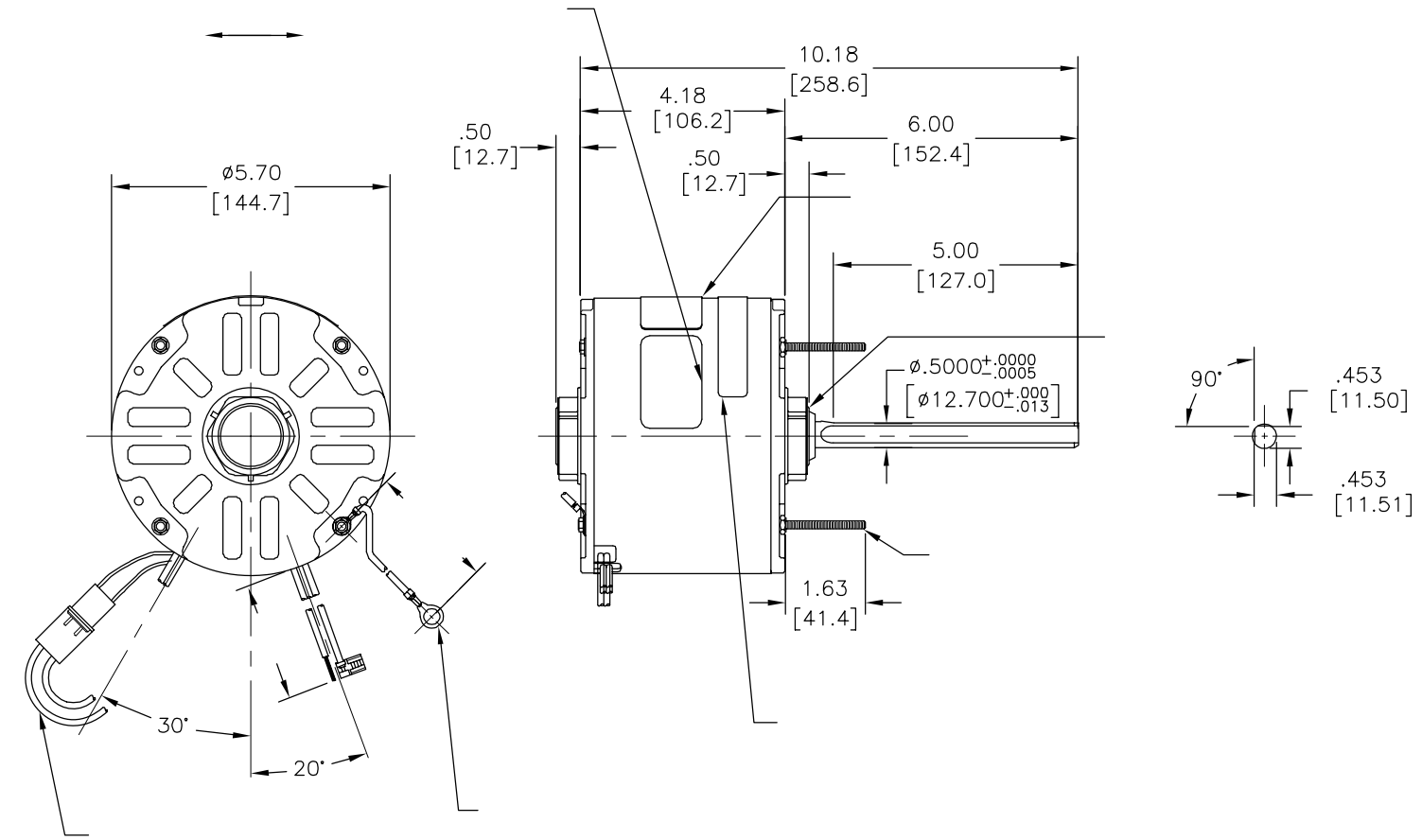
4

3

2

1

REVISION:	ECO	REVISADO POR:	FECHA:	APROBADO POR:	FECHA:
B	ECO-0024331	MGU	02-22-2012	B.SHEN	02-22-2012



MODEL NO.:	
CUST. P/N:	
HP:	
ROT.:	
RPM:	
TYPE:	
FRAME:	
VOLTS:	
PH:	
AMPS:	
HZ:	
INS.:	
AMB.: 60° C	
DUTY:	
CAP.:	
ENCL:	
UL LOGO	
CSA LOGO	
THERMALLY PROTECTED	

	11.0/13.0 [279/330]	#10 EYELET
	3.5/5.5 [89/140]	REVERSING PLUG
	26.0/28.0 [660/711]	.50[12.7] STRIP
	26.0/28.0 [660/711]	.25[6.4] FLAG
	26.0/28.0 [660/711]	.25[6.4] FLAG
	26.0/28.0 [660/711]	.50[12.7] STRIP
	26.0/28.0 [660/711]	.50[12.7] STRIP

C30871	20.5 OZ. FT.	92AC246C	E46412	PRGY2	LR43341	4211-01
--------	--------------	----------	--------	-------	---------	---------

CARACTERISTICAS DE GEOMETRIA Y SIMBOLOS
 ▽ PLANICIDAD
 — RECTITUD
 < ANGULARIDAD
 ⊥ PERPENDICULARIDAD (A ESCUADRA)
 // PARALELISMO
 ○ REDONDEZ (CIRCULARIDAD)
 ∅ CILINDRICIDAD
 △ PERFIL DE CUALQUIER SUPERFICIE
 ∩ PERFIL DE CUALQUIER LINEA
 ↗ VARIACION
 ⊕ POSICION REAL
 ⊙ CONCENTRICIDAD
 = SIMETRIA
 ASME Y14.5M 1994

REGAL-BELOIT CORPORATION (RBC)
 PROVEE ASISTENCIA TECNICA A
 NUESTROS CLIENTES EN VARIAS AREAS.
 DESDE QUE RBC NO RECIBE TODOS
 LOS DATOS EN RELACION AL USO Y A
 LA APLICACION DEL MOTOR, LA
 APLICACION ADECUADA DEL MOTOR
 DEBE SER DETERMINADA POR EL
 CLIENTE.
 DIMENSIONES SIN TOLERANCIA SON
 DE REFERENCIA SOLAMENTE

DIBUJADO POR:
M.GU
02-22-2012
 APROBADO POR:
B.SEHN
02-22-2012
 TERCER ANGULO
DE PROYECCION
 CONFIDENCIAL: ESTE DIBUJO Y SU INFORMACION
 SON PROPIEDAD DE USO EXCLUSIVO Y CONFIDENCIAL DE
 REGAL-BELOIT CORPORATION. Y NO DEBERAN SER REVELADOS,
 DUPLICADOS, DISTRIBUIDOS O USARSE DE OTRA MANERA
 SIN EL CONSENTIMIENTO ESCRITO DE REGAL-BELOIT
 CORPORATION. -TODOS LOS DERECHOS RESERVADOS.

REGAL-BELOIT CORPORATION

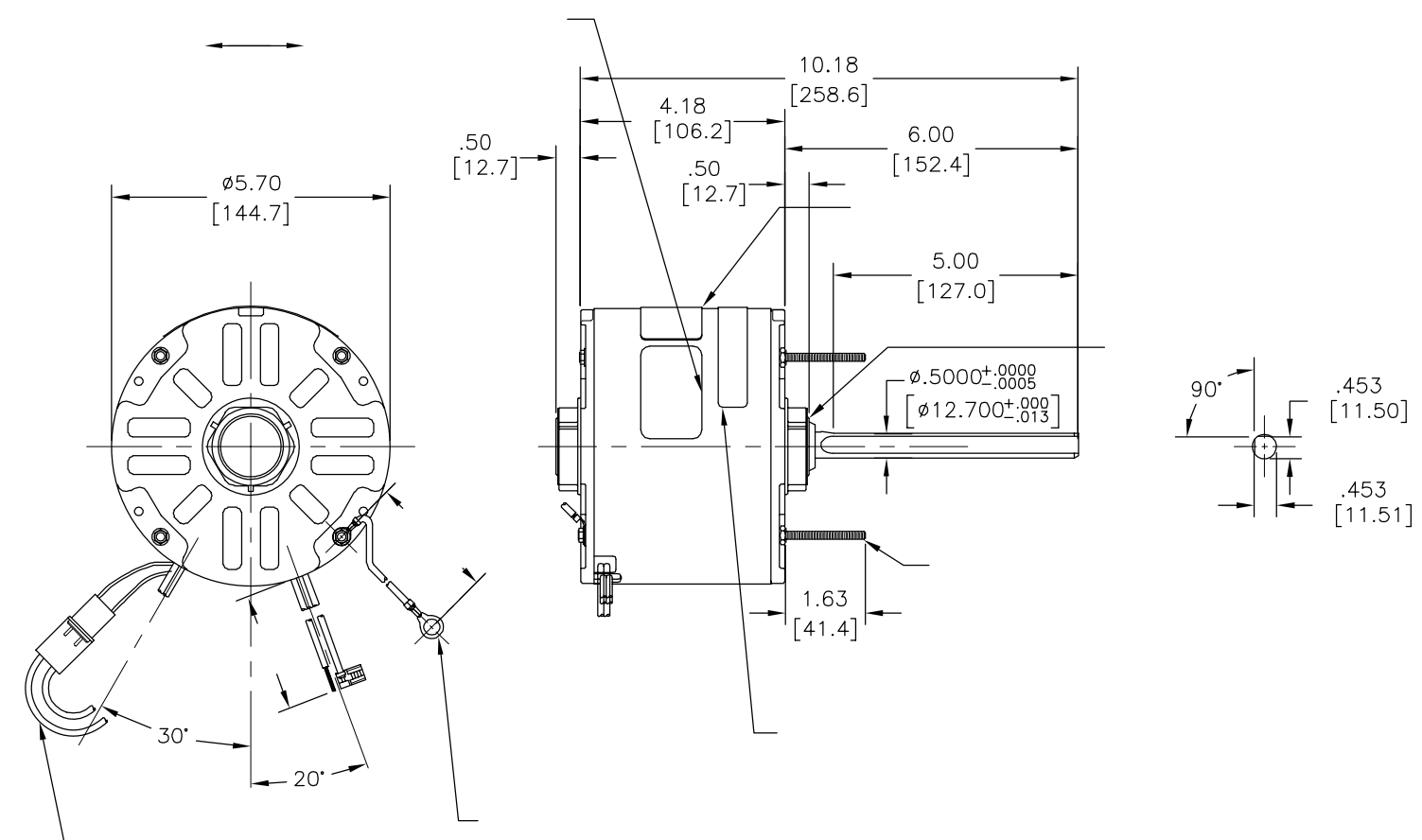
DESCRIPCION:
**MODEL-RFHP-48FR
 OUTLINE**

TAMAÑO: C NUMERO DE DIBUJO:
 FS1018

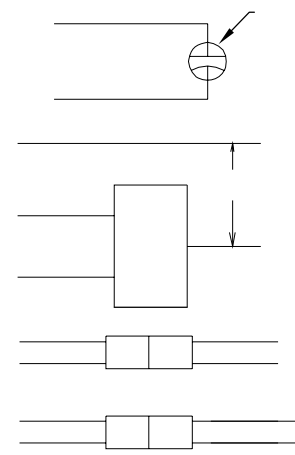
ESCALA: NONE HOJA: 1

4 3 2 1

版本	ECO	编制	日期	批准	日期
B	ECO-0024331	MGU	02-22-2012	B.SHEN	02-22-2012



MODEL NO.:	
CUST. P/N:	
HP:	
ROT.:	
RPM:	
TYPE:	
FRAME:	
VOLTS:	
PH:	
AMPS:	
HZ:	
INS.:	
AMB.: 60° C	
DUTY:	
CAP.:	
ENCL:	
UL LOGO	
CSA LOGO	
THERMALLY PROTECTED	



	11.0/13.0 [279/330]	#10 EYELET
	3.5/5.5 [89/140]	REVERSING PLUG
	26.0/28.0 [660/711]	.50[12.7] STRIP
	26.0/28.0 [660/711]	.25[6.4] FLAG
	26.0/28.0 [660/711]	.25[6.4] FLAG
	26.0/28.0 [660/711]	.50[12.7] STRIP
	26.0/28.0 [660/711]	.50[12.7] STRIP

C30871	20.5 OZ. FT.	92AC246C	E46412	PRGY2	LR43341	4211-01
--------	--------------	----------	--------	-------	---------	---------

形位公差	ASME Y14.5M 1994
□ 平面度	
— 直线度	
∠ 倾斜度	
⊥ 垂直度	
∥ 平行度	
○ 圆度	
⊘ 圆柱度	
△ 面轮廓度	
△ 线轮廓度	
↗ 圆跳动	
⊕ 位置度	
◎ 同轴度	
≡ 对称度	

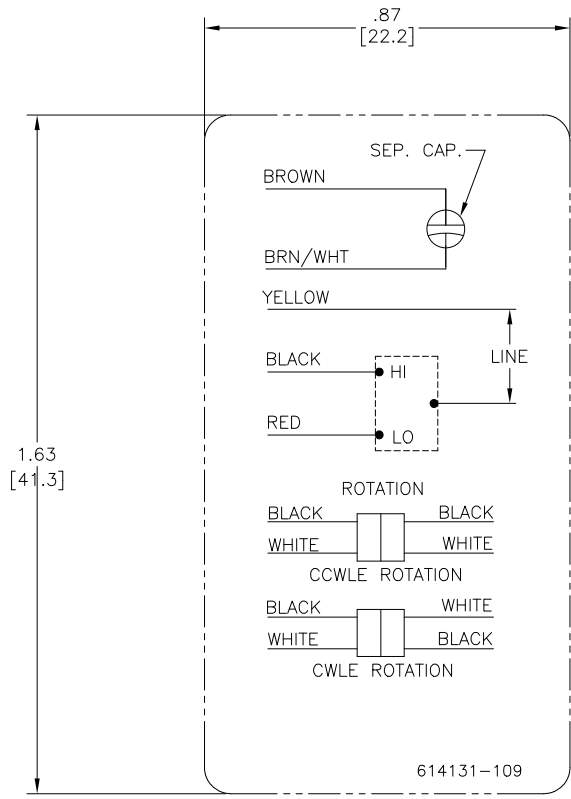
REGAL-BELOIT CORPORATION (RBC) 在个别领域为客户提供技术支持。鉴于RBC未收到任何涉及电机使用和应用环境的数据，电机的适用性由客户自己决定。

未注公差尺寸仅供参考。

绘图:	M.GU	02-22-2012
批准:	B.SEHN	02-22-2012
第三角投影		图纸格式发布日期 11-11-2011 图纸格式版本 G
机密: 本图纸及相关信息所有权归REGAL-BELOIT CORPORATION。未经REGAL-BELOIT CORPORATION书面授权, 不得泄露、复制或传播作其他用途。一版权所有		

名称	MODEL-RFHP-48FR OUTLINE
图幅	C
图号	FS1018
比例	NONE
页号	1

4 3 2 1



NOTES:

1. FOR USE WITH 614129 NAMEPLATE BLANK
2. - - - - - INDICATES DIMENSION LIMITS
3. DIE TO BE MADE FROM MASTER SUPPLIED BY A. O. SMITH CORPORATION
4. DIE MUST PRODUCE A LEGIBLE IMPRESSION.

DRAWING REVISION C		REVISION BY J. RUPERT	DATE 08-24-2021	TOLERANCES UNLESS OTHERWISE SPECIFIED		DRAWN BY: CZ					
ECO NMR-0210151		APPROVED BY J. RUPERT	DATE 08-24-2021	DEC.	INCH	mm	ANGLE			DATE: 11-20-2009	
ECO DESCRIPTION REVISED FOR UP ISSUE				.X	±0.1	[±2.5]	±0.5°	APPROVED BY: TR	DESCRIPTION CONN DIAGRAM-NAMEPLATE		
<small> COPYRIGHT REGAL BELOIT AMERICA, INC. ALL RIGHTS RESERVED. PROPRIETARY AND CONFIDENTIAL INFORMATION - THIS DOCUMENT IS THE PROPERTY OF REGAL BELOIT AMERICA, INC. (OWNER) AND CONTAINS OWNER'S PROPRIETARY INFORMATION. ANY PERSON, CORPORATION OR OTHER ENTITY, DUPLICATING AND/OR USING, EXCEPT BY RECEIVING IT, TO AGREE THAT IT, AND/OR ANY PART OF IT, SHALL NOT BE DISCLOSED TO ANY PERSON, CORPORATION OR OTHER ENTITY, DUPLICATED, AND/OR USED, EXCEPT AS EXPRESSLY APPROVED IN WRITING IN ADVANCE BY OWNER. THIS DOCUMENT SHALL BE RETURNED TO OWNER UPON REQUEST. IT MAY BE SUBJECT TO CERTAIN RESTRICTIONS UNDER APPLICABLE EXPORT CONTROL LAWS AND REGULATIONS. </small>				.XX	±0.02	[±0.51]		DATE: 11-20-2009*	REFERENCE		
				.XXX	±0.005	[±0.127]			MATERIAL	PROCESS/FINISH	
				.XXXX	±0.0005	[±0.0127]				SIZE	DWG NO
				REMOVE BURRS & BREAK SHARP EDGES .003/.015 [0.076/.381] X 45°		CORNER FILLETS R.02 [5.1]		MACHINED SURFACES		INCH/mm	
				mm SHOWN IN [BRACKETS]		THIRD ANGLE PROJECTION		614131-109	SHEET 1		