

# PRODUCT INFORMATION PACKET



Model No: FS1028  
Catalog No: FS1028

Condenser Fan Motor, 1/4 HP, 1 Ph, 60 Hz, 208-230 V, 825 RPM, 2 Speed, 48 Frame, SEMI ENCLOSED



Regal and Century are trademarks of Regal Rexnord Corporation or one of its affiliated companies.  
©2023 Regal Rexnord Corporation, All Rights Reserved. MC017097E





**Nameplate Specifications**

Output HP	1/4 Hp	Output KW	0.19 kW
Frequency	60 Hz	Voltage	208-230 V
Current	1.5 A	Speed	825 rpm
Service Factor	1	Phase	1
Duty	Air Over	Insulation Class	B
Frame	48Y	Enclosure	Semi Enclosed
Thermal Protection	Automatic	Ambient Temperature	60 °C
UL	Recognized	CSA	Y
CE	N	Number of Speeds	2

**Technical Specifications**

Electrical Type	Permanent Split Capacitor	Starting Method	Across The Line
Poles	8	Rotation	Reversible
Mounting	Extended Studs	Motor Orientation	Any
Drive End Bearing	Sleeve	Opp Drive End Bearing	Sleeve
Frame Material	Rolled Steel	Shaft Type	Double Flat
Overall Length	10.93 in	Frame Length	4.44 in
Shaft Diameter	0.500 in	Shaft Extension	6 in
Outline Drawing	FS1028-S01	Connection Drawing	614131-109

This is an uncontrolled document once printed or downloaded and is subject to change without notice. Date Created:02/16/2023

4

3

2

1

GENERAL INFORMATION:

SHAFT RUNOUT: .001[.03] T.I.R. PER INCH LENGTH OF EXTENSION

END PLAY: .010 TO .063 [.25 TO 1.60]

BEARINGS: SLEEVE

MOUNTING POSITION: HORIZONTAL OR VERTICAL SHAFT UP

ELECTRICAL DATA:

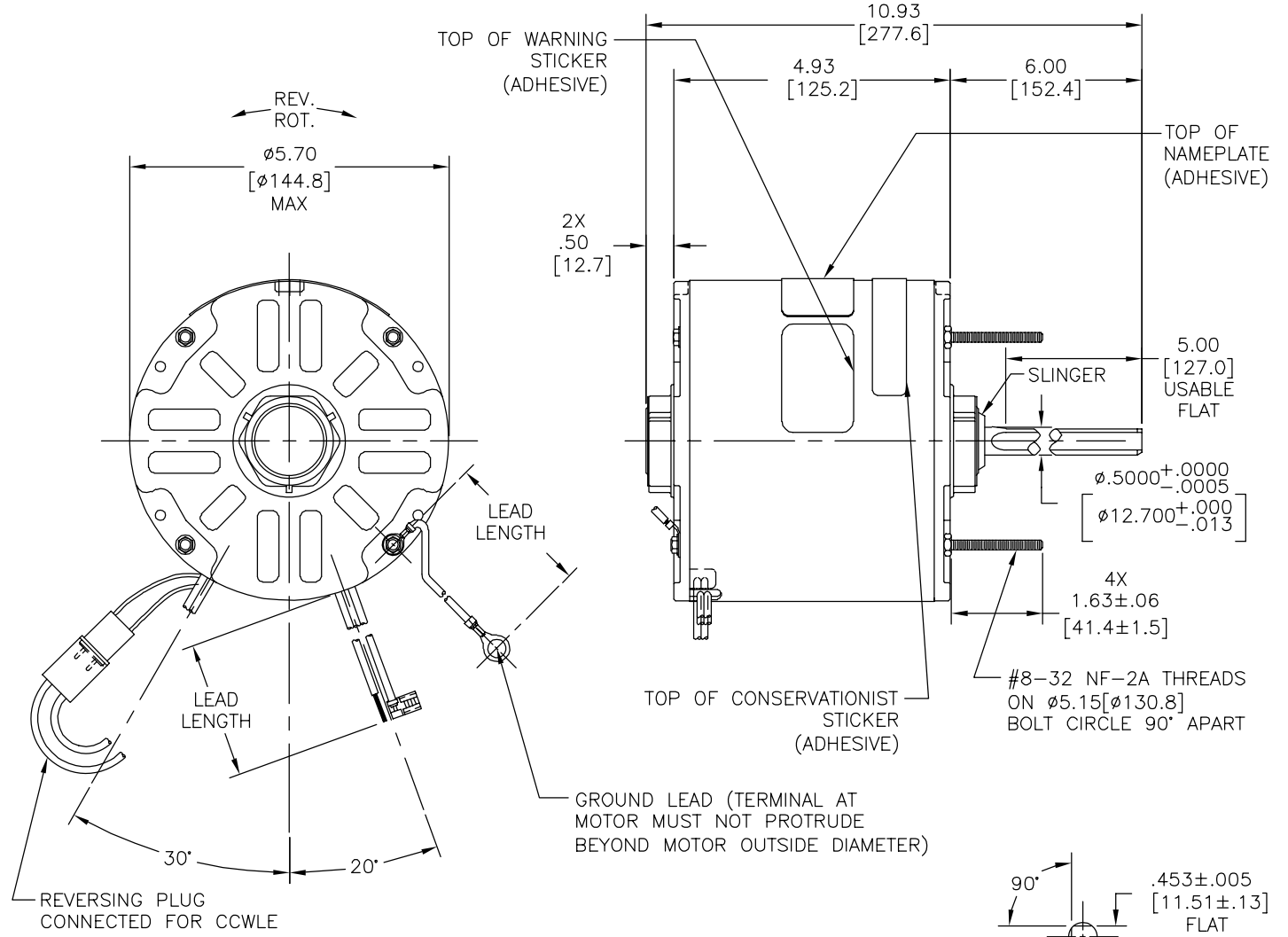
OVERLOAD PROTECTOR: AUTOMATIC RESET (T.I. 7AM 304)

LEADS: NO. 18 GA. 06[1.5] THICK, 105°C PVC INSULATION

REVERSING LEADS: NO. 18 GA. 03[.8] THICK, 125°C XLP INSULATION

GROUND LEAD: NO. 18 GA. .03[.8] THICK, GREEN INSULATION

REV	ECO	REV BY	DATE	APPD	DATE
B	ECO-0023970	B.ESPINOZA	01-20-2012	S.JIMENEZ	01-20-2012



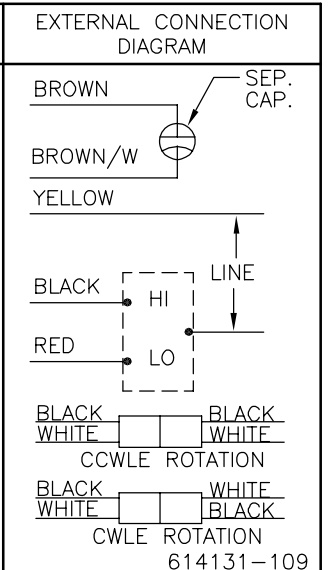
COLOR	LENGTH	TERMINAL OR STRIP LENGTH
GREEN (GRD)	11.0/13.0 [279/330]	#10 INTERNAL SERRATED TOOTH
BLACK/WHITE	3.5/5.5 [89/140]	REVERSING PLUG
RED	26.0/28.0 [660/711]	.50 [12.7] STRIP
BROWN	26.0/28.0 [660/711]	.25 [6.4] FLAG
BROWN/WHITE	26.0/28.0 [660/711]	.25 [6.4] FLAG
YELLOW	26.0/28.0 [660/711]	.50 [12.7] STRIP
BLACK	26.0/28.0 [660/711]	.50 [12.7] STRIP

MAIN FRAME - OLE	ENCLOSED
END FRAME - OLE	ENCLOSED
MAIN FRAME - LE	ENCLOSED
END FRAME - LE	OPEN

CUSTOMER	DISTRIBUTION SERVICE
----------	----------------------

NAMEPLATE DATA:

MODEL NO.: F48C79A01  
 CUST. P/N: FS1028  
 HP: 1/4  
 ROT.: REVERSIBLE  
 RPM: 825/2 SPD.  
 TYPE: UF  
 FRAME: 48Y  
 VOLTS: 208-230  
 PH: 1  
 AMPS: 1.5 (1.9 MAX)  
 HZ: 60  
 INS.: B  
 AMB.: 60° C  
 DUTY: AIR OVER  
 CAP.: 7.5 MFD/370 V  
 ENCL: SEMI-ENCL  
 UL LOGO  
 CSA LOGO  
 THERMALLY PROTECTED



PERFORMANCE CURVE NO.	TORQUE @ 825 RPM (25°C)	APPROVED SAMPLE	UL COMPONENT FILE #	CCN #	CSA FILE #	CLASS #
C30872	32.3 OZ. FT.	92AC243C	E46412	PRGY2	LR43341	4211-01

GEOMETRIC CHARACTERISTICS & SYMBOLS

- FLATNESS
- STRAIGHTNESS
- ANGULARITY
- PERPENDICULARITY (SQUARENESS)
- PARALLELISM
- ROUNDNESS (CIRCULARITY)
- CYLINDRICITY
- PROFILE OF ANY SURFACE
- PROFILE OF ANY LINE
- RUNOUT
- TRUE POSITION
- CONCENTRICITY
- SYMMETRY

ASME Y14.5M 1994

REGAL-BELOIT CORPORATION (RBC) PROVIDES TECHNICAL ASSISTANCE TO OUR CUSTOMERS IN SEVERAL AREAS. SINCE RBC DOES NOT RECEIVE ALL DATA CONCERNING THE USE AND APPLICATION OF THE MOTOR, THE SUITABILITY OF THE MOTOR FOR THE APPLICATION MUST BE DETERMINED BY THE CUSTOMER.

DIMENSIONS WITHOUT TOLERANCES ARE FOR REFERENCE ONLY.

DR BY: RUPERT 10-22-1992

APPD: MMF

THIRD ANGLE PROJECTION

EDS DATE 02-22-2008  
 FORMAT REV G

CONFIDENTIAL: THIS DRAWING AND ITS INFORMATION ARE THE EXCLUSIVE AND CONFIDENTIAL PROPERTY OF REGAL-BELOIT CORPORATION AND ARE NOT TO BE DISCLOSED, DUPLICATED, DISTRIBUTED OR OTHERWISE USED WITHOUT THE WRITTEN CONSENT OF REGAL-BELOIT CORPORATION. -ALL RIGHTS RESERVED.

REGAL-BELOIT CORPORATION

DESCRIPTION: MODEL-RFHP-48FR OUTLINE

SIZE C DWG NO FS1028

SCALE NONE SHEET 1

4

3

2

1

4 3 2 1

INFORMACION GENERAL:

OSCILACION DE FLECHA: .001[.03] L.T.I. POR CADA PULGADA DE EXTENSION

JUEGO AXIAL: .010 A .063 [.25 A 1.60]

BALEROS: MANGA

POSICION DEL MONTAJE: HORIZONTAL O VERTICAL CON FLECHA HACIA ARRIBA

INFORMACION ELECTRICA:

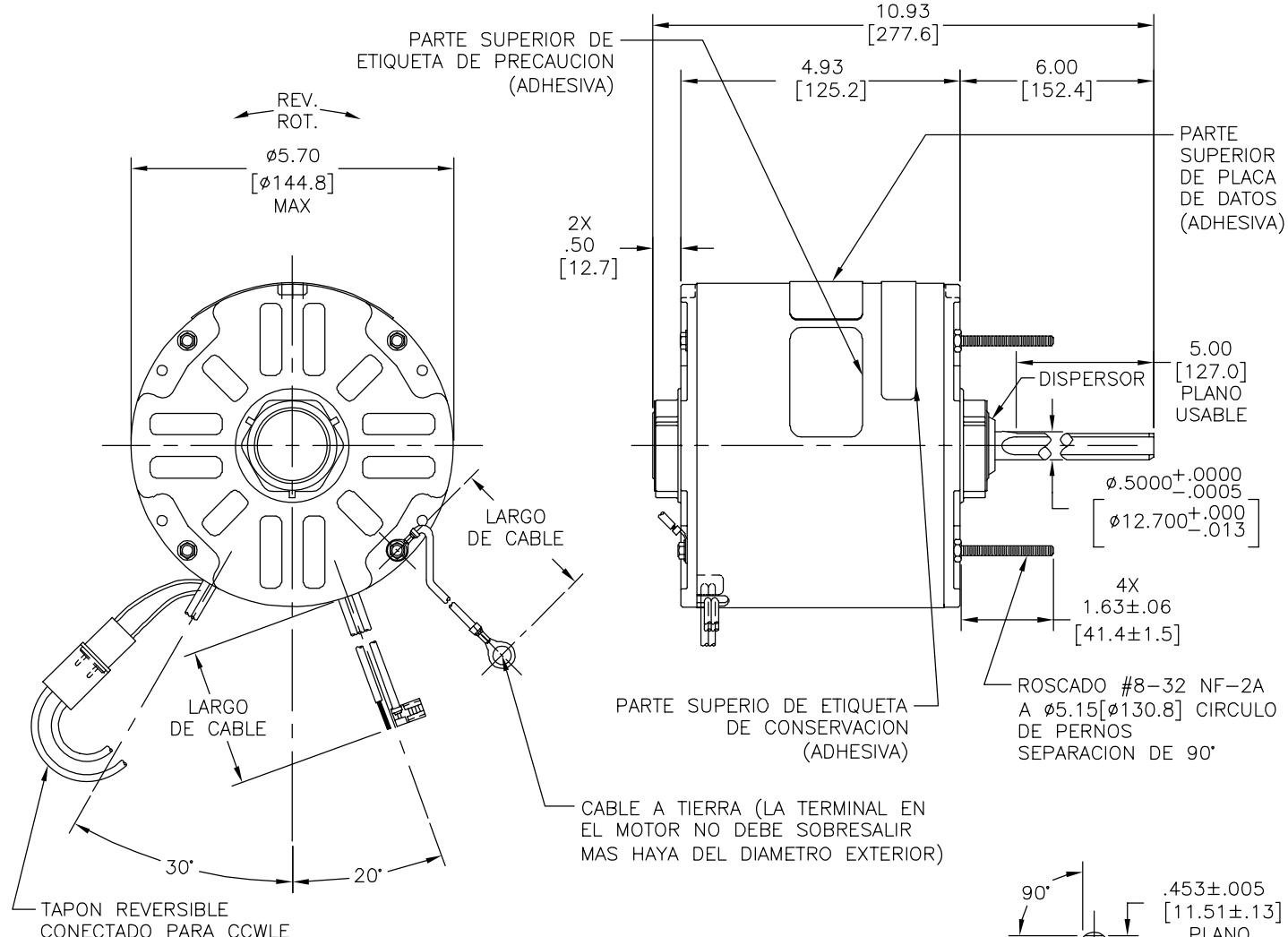
PROTECTOR DE SOBRECARGA: REINICIO AUTOMATICO (T.I. 7AM 304)

CABLES: CALIBRE #18 .06[1.5], AISLANTE 105°C PVC

CABLES REVERSIBLES: CALIBRE #18 .03[.8], AISLANTE XLP 125°C

CABLE DE TIERRA: CALIBRE #18 .03[.8], AISLANTE VERDE

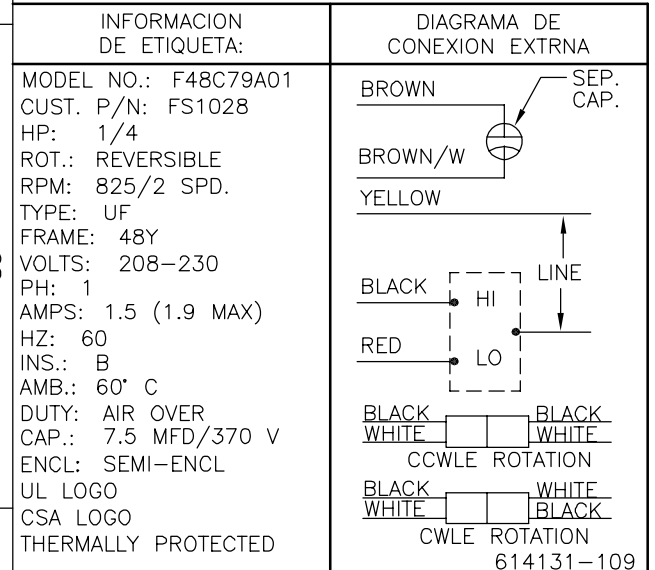
REVISION:	ECO	REVISADO POR:	FECHA:	APROBADO POR:	FECHA:
B	ECO-0023970	B.ESPINOZA	01-20-2012	S.JIMENEZ	01-20-2012



VERDE (TIERRA)	11.0/13.0 [279/330]	HERRAMIENTA INTERNA DENTADA #10
NEGRO/BLANCO	3.5/5.5 [89/140]	TAPON REVERSIBLE
ROJO	26.0/28.0 [660/711]	.50 DESFORRE
CAFE	26.0/28.0 [660/711]	.25 BANDERA
CAFE/BLANCO	26.0/28.0 [660/711]	.25 BANDERA
AMARILLO	26.0/28.0 [660/711]	.50 DESFORRE
NEGRO	26.0/28.0 [660/711]	.50 DESFORRE
COLOR	LONGITUD	TERMINAL O LONGITUD DE DESFORRE

CARCASA - LOC	CERRADO
TAPA - LOC	CERRADO
CARCASA - LC	CERRADO
TAPA - LC	ABIERTO

CLIENTE	DISTRIBUTION SERVICE
---------	----------------------



CURVAS DE FUNCIONAMIENTO	TORSION @ 825 RPM (25°C)	MUESTRA APROBADA	COMPONENTE UL	CSA
C30872	32.3 OZ. FT.	92AC243C	#ARCHIVO PRGY2	CLASE # 4211-01

- CARACTERISTICAS DE GEOMETRIA Y SIMBOLOS
- ▣ PLANICIDAD
  - RECTITUD
  - ∠ ANGULARIDAD
  - ⊥ PERPENDICULARIDAD (A ESCUADRA)
  - // PARALELISMO
  - REDONDEZ (CIRCULARIDAD)
  - ⊘ CILINDRICIDAD
  - △ PERFIL DE CUALQUIER SUPERFICIE
  - ∩ PERFIL DE CUALQUIER LINEA
  - ∕ VARIACION
  - ⊕ POSICION REAL
  - ⊙ CONCENTRICIDAD
  - = SIMETRIA
- ASME Y14.5M 1994

REGAL-BELOIT CORPORATION (RBC) PROVEE ASISTENCIA TECNICA A NUESTROS CLIENTES EN VARIAS AREAS. DESDE QUE RBC NO RECIBE TODOS LOS DATOS EN RELACION AL USO Y A LA APLICACION DEL MOTOR, LA APLICACION ADECUADA DEL MOTOR DEBE SER DETERMINADA POR EL CLIENTE.

DIMENSIONES SIN TOLERANCIA SON DE REFERENCIA SOLAMENTE

DIBUJADO POR: RUPERT 10-22-1992

APROBADO POR: MMF

TERCER ANGULO DE PROYECCION

FECHA EDS: 02-22-2008  
REV. FORMATO: G

CONFIDENCIAL: ESTE DIBUJO Y SU INFORMACION SON PROPIEDAD DE USO EXCLUSIVO Y CONFIDENCIAL DE REGAL-BELOIT CORPORATION. Y NO DEBERAN SER REVELADOS, DUPLICADOS, DISTRIBUIDOS O USARSE DE OTRA MANERA SIN EL CONSENTIMIENTO ESCRITO DE REGAL-BELOIT CORPORATION. -TODOS LOS DERECHOS RESERVADOS.

**REGAL-BELOIT CORPORATION**

DESCRIPCION: MODEL-RFHP-48FR OUTLINE

TAMAÑO: C NUMERO DE DIBUJO: FS1028

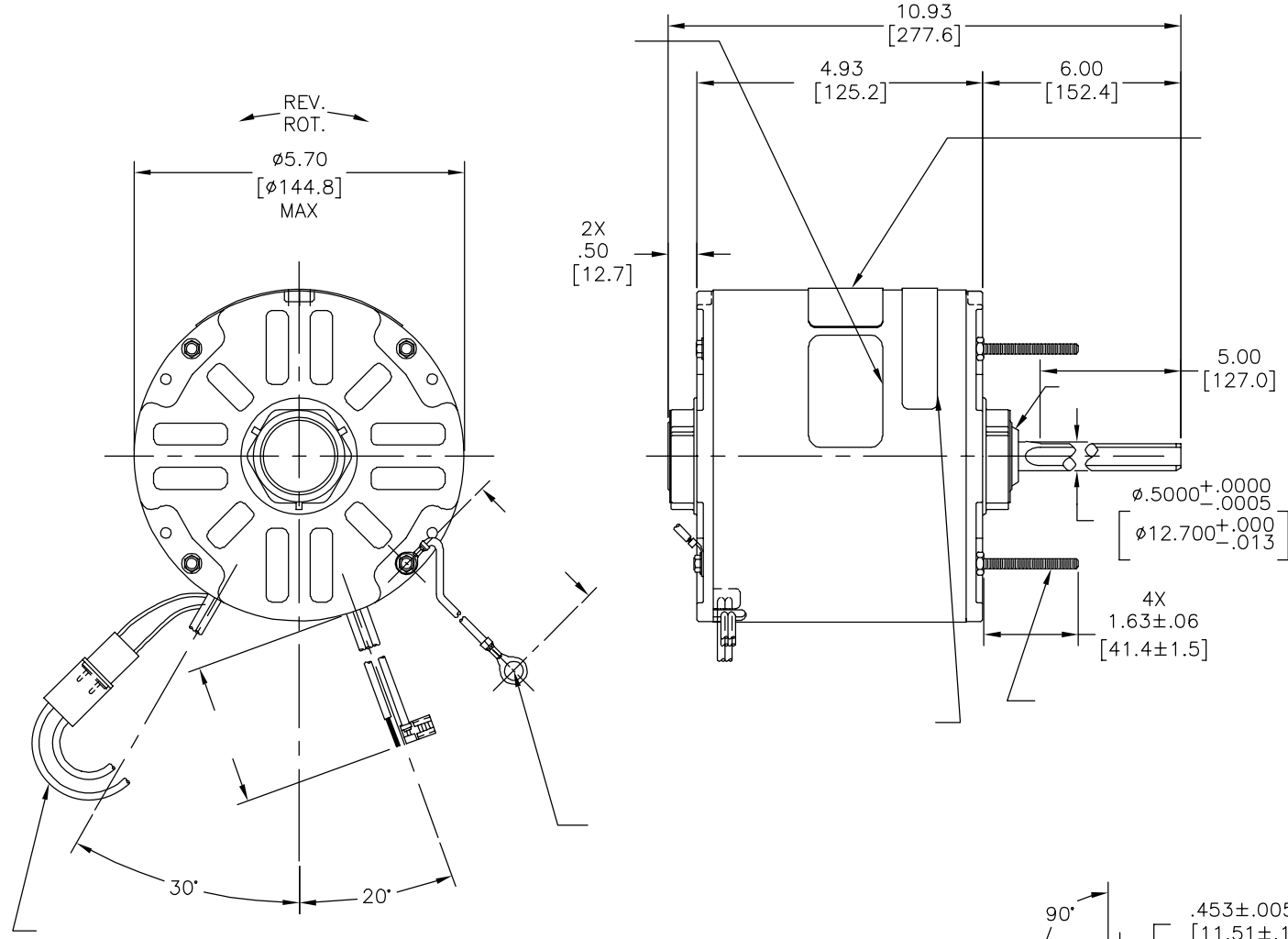
ESCALA: NONE HOJA: 1

4 3 2 1

4 3 2 1

总技术要求:  
轴跳动:  
端部窜动量  
轴承:  
安装位置:  
电气数据:  
过载保护:  
引线:  
接:  
接地线:

版本	ECO	编制	日期	批准	日期
B	ECO-0023970	B.ESPINOZA	01-20-2012	S.JIMENEZ	01-20-2012



	11.0/13.0	
	[279/330]	
	3.5/5.5	
	[89/140]	
	26.0/28.0	.50
	[660/711]	[12.7]
	26.0/28.0	.25
	[660/711]	[6.4]
	26.0/28.0	.25
	[660/711]	[6.4]
	26.0/28.0	.50
	[660/711]	[12.7]
	26.0/28.0	.50
	[660/711]	[12.7]

颜色	长度	端子或剥线长度

无引线端机壳	
无引线端端盖	
有引线端机壳	
有引线端端盖	

用户	DISTRIBUTION SERVICE
----	----------------------

铭牌数据	外部数据线
MODEL NO.: F48C79A01 CUST. P/N: FS1028 HP: 1/4 ROT.: REVERSIBLE RPM: 825/2 SPD. TYPE: UF FRAME: 48Y VOLTS: 208-230 PH: 1 AMPS: 1.5 (1.9 MAX) HZ: 60 INS.: B AMB.: 60° C DUTY: AIR OVER CAP.: 7.5 MFD/370 V ENCL: SEMI-ENCL UL LOGO CSA LOGO THERMALLY PROTECTED	BROWN BROWN/W YELLOW BLACK HI RED LO BLACK WHITE WHITE BLACK CCWLE ROTATION CWLE ROTATION 614131-109

性能曲线编号	转矩在 @ 825 RPM (25° C)	批准样品	UL部件		CSA	
C30872	32.3 OZ. FT.	92AC243C	文件号	指南	文件号	指南
			E46412	PRGY2	LR43341	4211-01

形位公差  
 平面度  
 直线度  
 倾斜度  
 垂直度  
 平行度  
 圆度  
 圆柱度  
 面轮廓度  
 线轮廓度  
 圆跳动  
 位置度  
 同轴度  
 对称度

ASME Y14.5M 1994

REGAL-BELOIT CORPORATION (RBC) 在个别领域为客户提供技术支持。鉴于 RBC 未收到任何涉及电机使用和应用环境的数据，电机的适用性由客户自己决定。

未注公差尺寸仅供参考。

绘图: RUPERT 10-22-1992  
 批准: MMF  
 第三角投影  
 图纸格式发布日期 02-22-2008  
 图纸格式版本 G  
 机密: 本图纸及相关信息所有权归 REGAL-BELOIT CORPORATION 未经 REGAL-BELOIT CORPORATION 书面授权, 不得泄露、复制、传播或作其他用途。--版权所有

名称: MODEL-RFHP-48FR OUTLINE  
 图幅: C 图号: FS1028  
 比例: NONE 页号: 1

REGAL-BELOIT CORPORATION

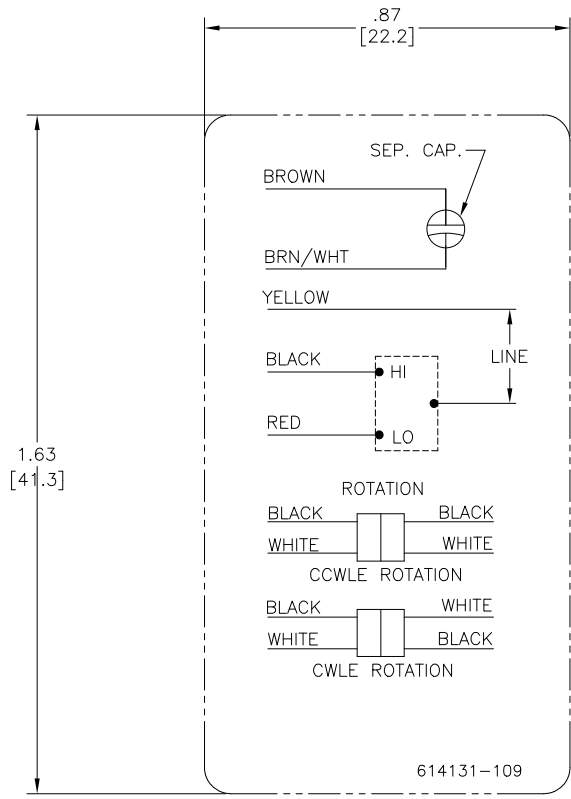
4 3 2 1

4

3

2

1



614131-109

NOTES:

1. FOR USE WITH 614129 NAMEPLATE BLANK
2. - - - - - INDICATES DIMENSION LIMITS
3. DIE TO BE MADE FROM MASTER SUPPLIED BY A. O. SMITH CORPORATION
4. DIE MUST PRODUCE A LEGIBLE IMPRESSION.

4

3

2

1

A

A

DRAWING REVISION C	REVISION BY J. RUPERT	DATE 08-24-2021	TOLERANCES UNLESS OTHERWISE SPECIFIED DEC. INCH mm ANGLE .X ±0.1 [±2.5] ±0.5° .XX ±0.02 [±0.51] .XXX ±0.005 [±0.127] .XXXX ±0.0005 [±0.0127]	DRAWN BY: CZ	
ECO NMR-0210151	APPROVED BY J. RUPERT	DATE 08-24-2021	REMOVE BURRS & BREAK SHARP EDGES .003/.015 [0.076/.381] X 45° CORNER FILLETS R.02 [5.1] MACHINED SURFACES .125/ mm 32° mm SHOWN IN [BRACKETS]	DATE: 11-20-2009	
ECO DESCRIPTION REVISED FOR UP ISSUE				APPROVED BY: TR	DESCRIPTION CONN DIAGRAM-NAMEPLATE
<small>                 COPYRIGHT REGAL BELOIT AMERICA, INC. ALL RIGHTS RESERVED.                  PROPRIETARY AND CONFIDENTIAL INFORMATION - THIS DOCUMENT IS THE PROPERTY OF REGAL BELOIT AMERICA, INC. (OWNER) AND CONTAINS OWNER'S PROPRIETARY INFORMATION. ANY PERSON, CORPORATION OR OTHER ENTITY, DUPLICATING AND/OR USING, EXCEPT BY RECEIVING IT, TO AGREE THAT IT, AND/OR ANY PART OF IT, SHALL NOT BE DISCLOSED TO ANY PERSON, CORPORATION OR OTHER ENTITY, DUPLICATING AND/OR USING, EXCEPT AS EXPRESSLY APPROVED IN WRITING IN ADVANCE BY OWNER. THIS DOCUMENT SHALL BE RETURNED TO OWNER UPON REQUEST. IT MAY BE SUBJECT TO CERTAIN RESTRICTIONS UNDER APPLICABLE EXPORT CONTROL LAWS AND REGULATIONS.             </small>				DATE: 11-20-2009*	MATERIAL
				REFERENCE	PROCESS/FINISH
				THIRD ANGLE PROJECTION	SIZE DWG NO C 614131-109
					SHEET 1