

# PRODUCT INFORMATION PACKET



Model No: FS1038  
Catalog No: FS1038

Condenser Fan Motor, 1/3 HP, 1 Ph, 60 Hz, 208-230 V, 825 RPM, 2 Speed, 48 Frame, SEMI ENCLOSED



Regal and Century are trademarks of Regal Rexnord Corporation or one of its affiliated companies.  
©2023 Regal Rexnord Corporation, All Rights Reserved. MC017097E





**Nameplate Specifications**

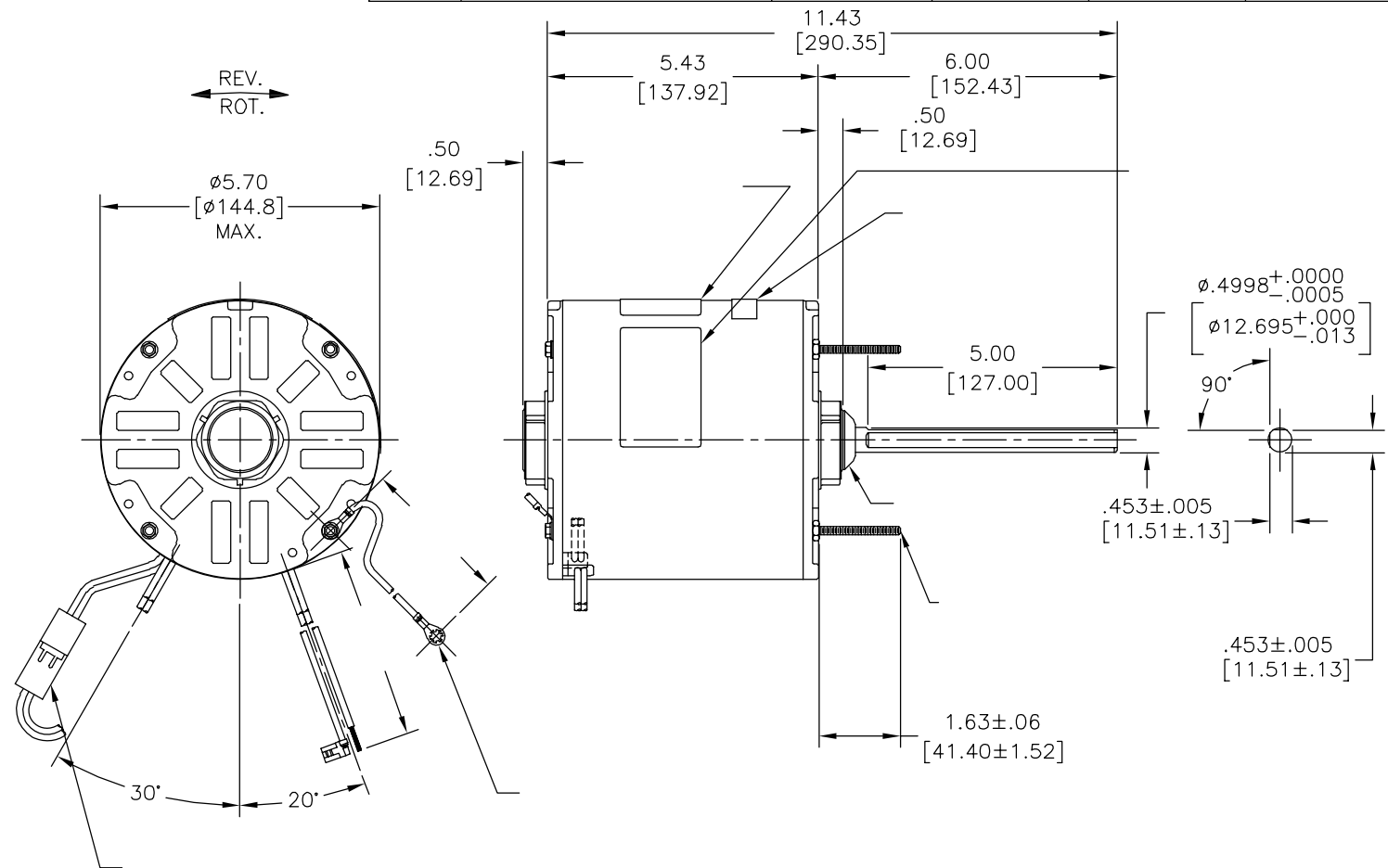
Output HP	1/3 Hp	Output KW	0.25 kW
Frequency	60 Hz	Voltage	208-230 V
Current	1.8 A	Speed	825 rpm
Service Factor	1	Phase	1
Duty	Air Over	Insulation Class	B
Frame	48Y	Enclosure	Semi Enclosed
Thermal Protection	Automatic	Ambient Temperature	60 °C
UL	Recognized	CSA	Y
CE	N	Number of Speeds	2

**Technical Specifications**

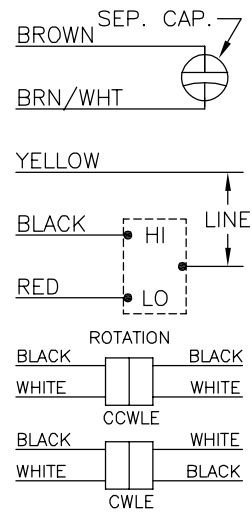
Electrical Type	Permanent Split Capacitor	Starting Method	Across The Line
Poles	8	Rotation	Reversible
Mounting	Extended Studs	Motor Orientation	Any
Drive End Bearing	Sleeve	Opp Drive End Bearing	Sleeve
Frame Material	Rolled Steel	Shaft Type	Double Flat
Overall Length	11.93 in	Frame Length	4.93 in
Shaft Diameter	0.500 in	Shaft Extension	6 in
Outline Drawing	FS1038-S01	Connection Drawing	614131-109

This is an uncontrolled document once printed or downloaded and is subject to change without notice. Date Created:02/16/2023

版本	ECO	编制	日期	批准	日期
D	0033253	G. RODRIGUEZ	05-09-2013	A. DE LUNA	05-09-2013



MODEL NO.: F48C80A01  
 CUST. P/N: FS1038  
 HP: 1/3  
 ROT.: REVERSIBLE  
 RPM: 825/2 SPD.  
 TYPE: UF  
 FRAME: 48Y  
 VOLTS: 208-230  
 PH: 1  
 AMPS: 1.8 (2.5 MAX.)  
 HZ: 60  
 INS.: B  
 AMB.: 60°C  
 DUTY: AIR OVER  
 CAP.: 12.5 MFD/370V  
 ENCL: SEMI-ENCL.  
 UL LOGO  
 CSA LOGO  
 THERMALLY PROTECTED



614131-109

	11.0/13.0	
	[279/330]	
	3.0/5.0	
	[76/127]	
	26.0/28.0	
	[660/711]	
	26.0/28.0	
	[660/711]	
	26.0/28.0	
	[660/711]	
	26.0/28.0	
	[660/711]	
	26.0/28.0	
	[660/711]	

					CCN #	CSA
C30873	47.9 OZ. FT.	92AC244D	E46412	PRGY2	LR43341	4211-01

A	形位公差	REGAL-BELOIT CORPORATION (RBC) 在个别领域为客户提供技术支持。鉴于RBC未收到任何涉及电机使用和应用环境的数据，电机的适用性由客户自己决定。
	ASME Y14.5M 1994	

绘图:	J RUPER	03-08-1993
批准:	M FRENC	03-08-1993
第三角投影		图纸格式发布日期 11-11-2011 图纸格式版本 H
机密:	本图纸及相关信息所有权归REGAL-BELOIT CORPORATION 未经REGAL-BELOIT CORPORATION书面授权，不得泄露、复制、传播或作其他用途。—版权所有	

		REGAL-BELOIT CORPORATION
名称: MODEL-RFHP-48FR OUTLINE		
图幅: C	图号: FS1038	
比例: NONE	页号: 1	

REV	ECO	REV BY	DATE	APPD	DATE
D	0033253	G. RODRIGUEZ	05-09-2013	A. DE LUNA	05-09-2013

GENERAL INFORMATION:

SHAFT RUNOUT: .001[.03] T.I.R. PER INCH LENGTH OF EXTENSION

END PLAY: .010 TO .063[.25 TO 1.60]

BEARINGS: SLEEVE

MOUNTING POSITION: HORIZONTAL OR VERTICAL SHAFT UP

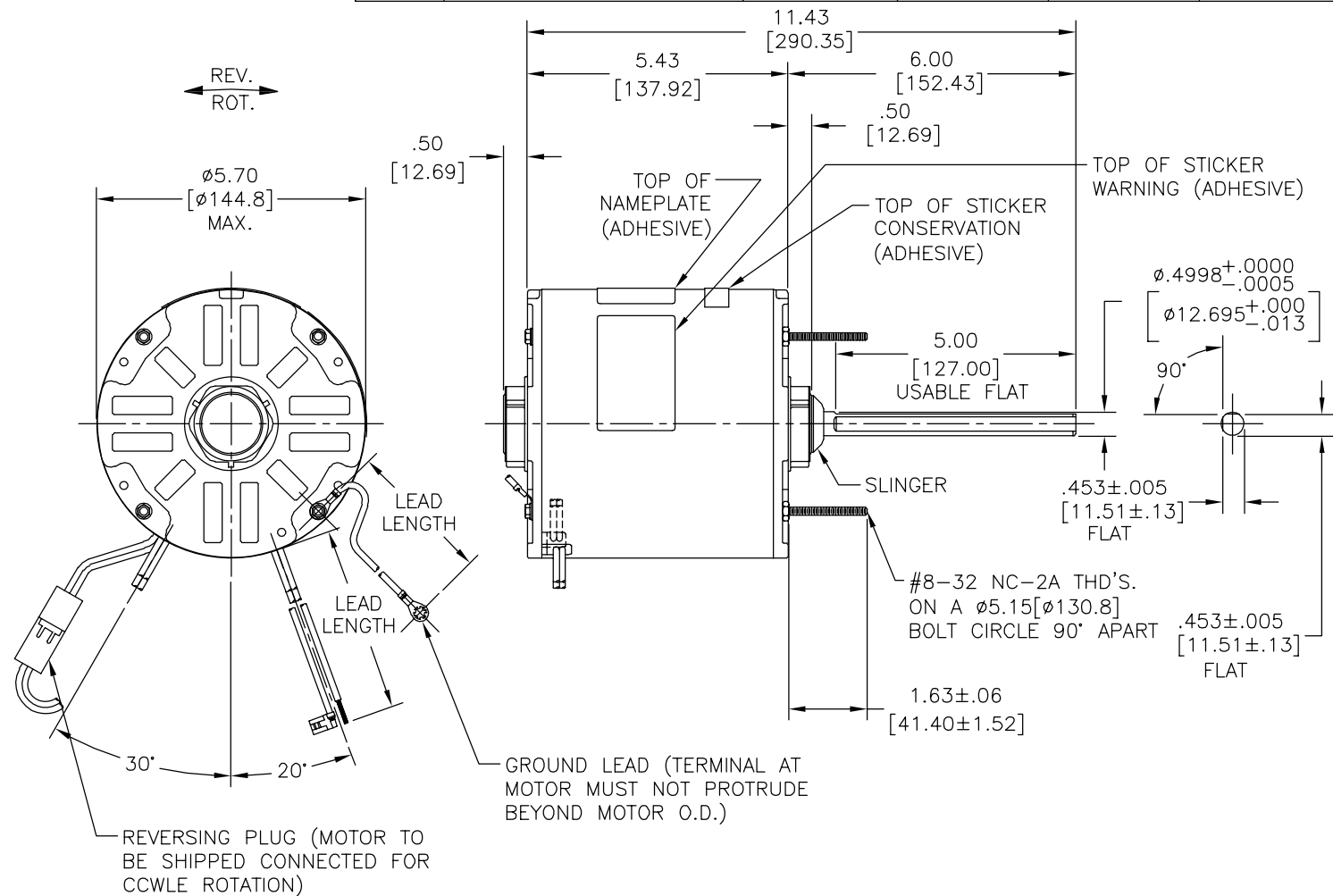
ELECTRICAL DATA:

OVERLOAD PROTECTOR: AUTOMATIC RESET (SENSATA 7AM 304)

LINE LEADS: NO. 18 GA., .06[1.5] THK. PVC 105°C INSUL.

REVERSING PLUGS: NO. 18 GA., .03[.8] THK. XLP 125°C INSUL.

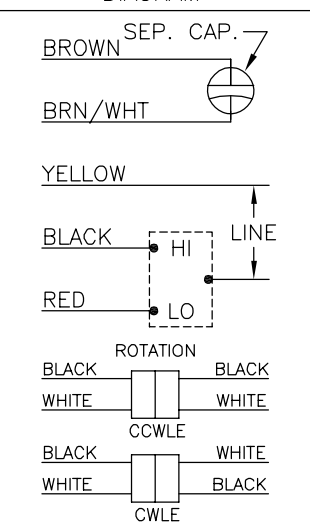
GROUND LEAD: NO. 18 GA., .03[.8] THK. (GREEN) INSUL.



NAMEPLATE DATA:

EXTERNAL CONNECTION DIAGRAM

MODEL NO.: F48C80A01  
 CUST. P/N: FS1038  
 HP: 1/3  
 ROT.: REVERSIBLE  
 RPM: 825/2 SPD.  
 TYPE: UF  
 FRAME: 48Y  
 VOLTS: 208-230  
 PH: 1  
 AMPS: 1.8 (2.5 MAX.)  
 HZ: 60  
 INS.: B  
 AMB.: 60°C  
 DUTY: AIR OVER  
 CAP.: 12.5 MFD/370V  
 ENCL: SEMI-ENCL.  
 UL LOGO  
 CSA LOGO  
 THERMALLY PROTECTED



COLOR	LENGTH	TERMINAL OR STRIP LENGTH
GREEN (GROUND)	11.0/13.0 [279/330]	#10 EYELET
BLACK/WHITE	3.0/5.0 [76/127]	REVERSING PLUG
BROWN	26.0/28.0 [660/711]	.25[6.4] FLAG
BROWN/WHITE	26.0/28.0 [660/711]	.25[6.4] FLAG
YELLOW	26.0/28.0 [660/711]	.50[12.7] SKIN
BLACK	26.0/28.0 [660/711]	.50[12.7] SKIN
RED	26.0/28.0 [660/711]	.50[12.7] SKIN

PERFORMANCE CURVE NO.	TORQUE @ 825 RPM (25°C)	APPROVED SAMPLE	UL COMPONENT FILE #	CCN #	CSA FILE #	CLASS #
C30873	47.9 OZ. FT.	92AC244D	E46412	PRGY2	LR43341	4211-01

MAIN FRAME - OLE	ENCLOSED
END FRAME - OLE	ENCLOSED
MAIN FRAME - LE	ENCLOSED
END FRAME - LE	OPEN

CUSTOMER	DISTRIBUTION SERVICE
----------	----------------------

GEOMETRIC CHARACTERISTICS & SYMBOLS

- FLATNESS
- STRAIGHTNESS
- ∠ ANGULARITY
- ⊥ PERPENDICULARITY (SQUARENESS)
- ∥ PARALLELISM
- ROUNDNESS (CIRCULARITY)
- ⊘ CYLINDRICITY
- △ PROFILE OF ANY SURFACE
- ∩ PROFILE OF ANY LINE
- ↗ RUNOUT
- ⊕ TRUE POSITION
- ◎ CONCENTRICITY
- ≡ SYMMETRY

ASME Y14.5M 1994

REGAL-BELOIT CORPORATION (RBC) PROVIDES TECHNICAL ASSISTANCE TO OUR CUSTOMERS IN SEVERAL AREAS. SINCE RBC DOES NOT RECEIVE ALL DATA CONCERNING THE USE AND APPLICATION OF THE MOTOR, THE SUITABILITY OF THE MOTOR FOR THE APPLICATION MUST BE DETERMINED BY THE CUSTOMER.

DIMENSIONS WITHOUT TOLERANCES ARE FOR REFERENCE ONLY.

DR BY: J RUPER 03-08-1993

APPD: M FRENC 03-08-1993

THIRD ANGLE PROJECTION

EDS DATE 11-11-2011  
 FORMAT REV H

CONFIDENTIAL: THIS DRAWING AND ITS INFORMATION ARE THE EXCLUSIVE AND CONFIDENTIAL PROPERTY OF REGAL-BELOIT CORPORATION AND ARE NOT TO BE DISCLOSED, DUPLICATED, DISTRIBUTED OR OTHERWISE USED WITHOUT THE WRITTEN CONSENT OF REGAL-BELOIT CORPORATION. -ALL RIGHTS RESERVED.

**REGAL REGAL-BELOIT CORPORATION**

DESCRIPTION: MODEL-RFHP-48FR OUTLINE

SIZE: C DWG NO: FS1038

SCALE: NONE SHEET: 1

4

3

2

1

REVISION:	ECO	REVISADO POR:	FECHA:	APROBADO POR:	FECHA:
D	003253	G. RODRIGUEZ	05-09-2013	A. DE LUNA	05-09-2013

INFORMACION GENERAL:

OSCILACION DE: .001[.03] L.T.I. POR PULGADA DE EXTENSION  
FLECHA:

JUEGO AXIAL: .010 A .063[.25 A 1.60]

BALEROS: MANGA

POSICION DEL MONTAJE: FLECHA HORIZONTAL O VERTICAL ARRIBA

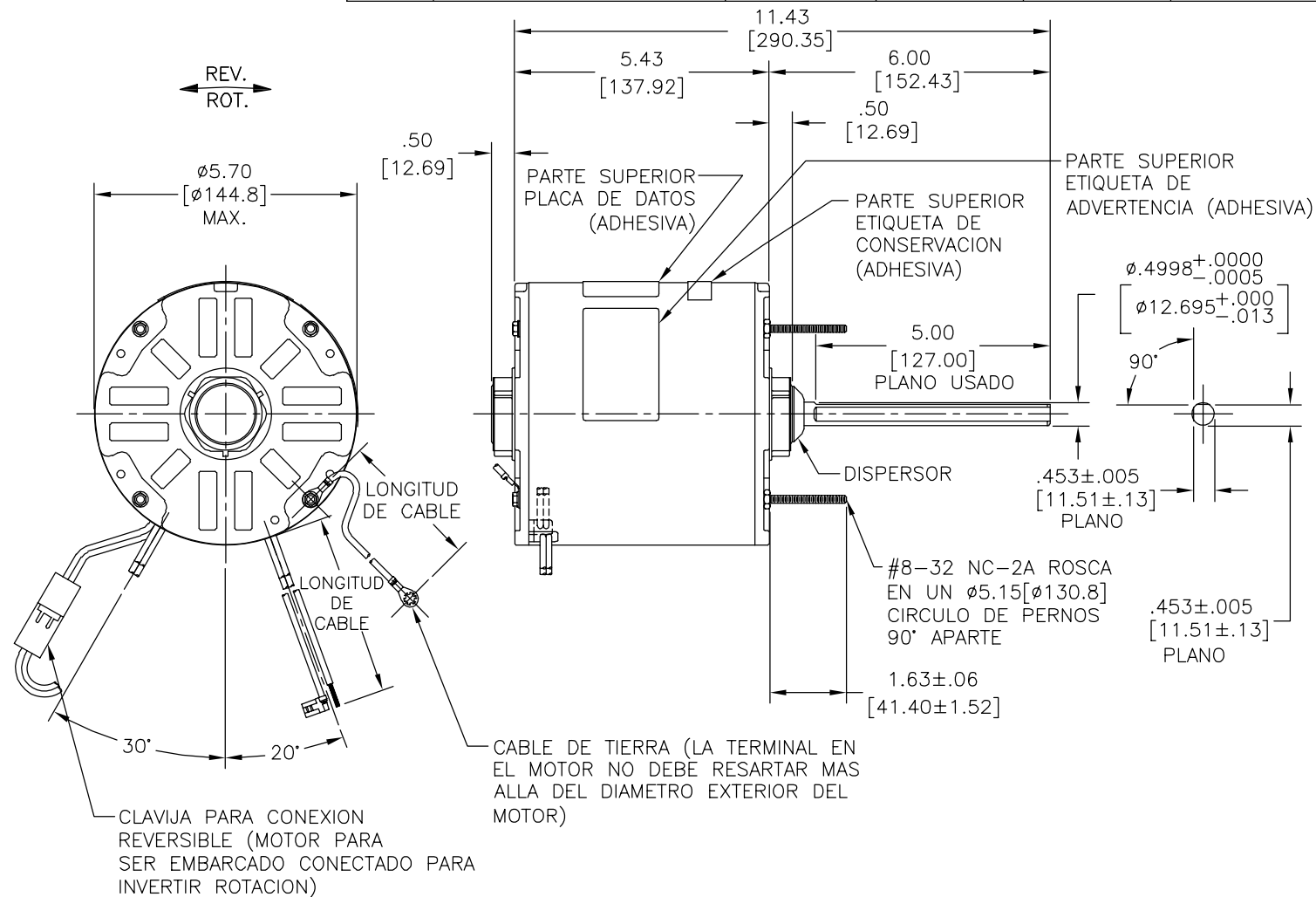
INFORMACION ELECTRICA:

PROTECTOR DE SOBRECARGA: REINICIO AUTOMATICO (SENSATA 7AM 304)

LINEAS DE CABLES: NO. CALIBRE 18, .06[1.5] GROSOR PVC 105°C AISLANTE.

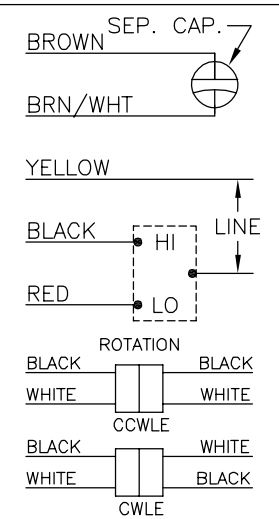
TAPONES INVERSOS: NO. CALIBRE 18, .03[.8] GROSOR. XLP 125°C AISLANTE.

CABLE DE TIERRA: NO. CALIBRE 18, .03[.8] GROSOR (VERDE) AISLANTE.



INFORMACION DE ETIQUETA:      DIAGRAMA DE CONEXION EXTRNA

MODEL NO.: F48C80A01  
CUST. P/N: FS1038  
HP: 1/3  
ROT.: REVERSIBLE  
RPM: 825/2 SPD.  
TYPE: UF  
FRAME: 48Y  
VOLTS: 208-230  
PH: 1  
AMPS: 1.8 (2.5 MAX.)  
HZ: 60  
INS.: B  
AMB.: 60°C  
DUTY: AIR OVER  
CAP.: 12.5 MFD/370V  
ENCL: SEMI-ENCL.  
UL LOGO  
CSA LOGO  
THERMALLY PROTECTED



614131-109

CURVAS DE FUNCIONAMIENTO	TORSION @ 825 RPM (25°C)	MUESTRA APROBADA	COMPONENTE UL	CSA
C30873	47.9 OZ. FT.	92AC244D	#ARCHIVO CCN #	#ARCHIVO CLASE #
			E46412 PRGY2	LR43341 4211-01

VERDE (TIERRA)	11.0/13.0 [279/330]	#10 OJAL
NEGRO/BLANCO	3.0/5.0 [76/127]	CLAVIJA REVERSIBLE
CAFE	26.0/28.0 [660/711]	.25[6.4] BANDERA
CAFE/BLANCO	26.0/28.0 [660/711]	.25[6.4] BANDERA
AMARILLO	26.0/28.0 [660/711]	.50[12.7] DESFORRE
NEGRO	26.0/28.0 [660/711]	.50[12.7] DESFORRE
ROJO	26.0/28.0 [660/711]	.50[12.7] DESFORRE
COLOR	LONGITUD	TERMINAL O LONGITUD DE DESFORRE

CARCASA - LOC	ENCERRADO
TAPA - LOC	ENCERRADO
CARCASA - LC	ENCERRADO
TAPA - LC	ABIERTO

CLIENTE	DISTRIBUTION SERVICE
---------	----------------------

CARACTERISTICAS DE GEOMETRIA Y SIMBOLOS  
 ✓ PLANICIDAD  
 — RECTITUD  
 < ANGULARIDAD  
 ⊥ PERPENDICULARIDAD (A ESCUADRA)  
 // PARALELISMO  
 ○ REDONDEZ (CIRCULARIDAD)  
 ∅ CILINDRICIDAD  
 △ PERFIL DE CUALQUIER SUPERFICIE  
 ∩ PERFIL DE CUALQUIER LINEA  
 ↗ VARIACION  
 ⊕ POSICION REAL  
 ⊙ CONCENTRICIDAD  
 = SIMETRIA  
 ASME Y14.5M 1994

REGAL-BELOIT CORPORATION (RBC) PROVEE ASISTENCIA TECNICA A NUESTROS CLIENTES EN VARIAS AREAS. DESDE QUE RBC NO RECIBE TODOS LOS DATOS EN RELACION AL USO Y A LA APLICACION DEL MOTOR, LA APLICACION ADECUADA DEL MOTOR DEBE SER DETERMINADA POR EL CLIENTE.  
 DIMENSIONES SIN TOLERANCIA SON DE REFERENCIA SOLAMENTE

DIBUJADO POR: J RUPER 03-08-1993  
 APROBADO POR: M FRENC 03-08-1993  
 TERCER ANGULO DE PROYECCION  
 FECHA EDS: 11-11-2011  
 REV. FORMATO: H  
 CONFIDENCIAL: ESTE DIBUJO Y SU INFORMACION SON PROPIEDAD DE USO EXCLUSIVO Y CONFIDENCIAL DE REGAL-BELOIT CORPORATION. Y NO DEBERAN SER REVELADOS, DUPLICADOS, DISTRIBUIDOS O USARSE DE OTRA MANERA SIN EL CONSENTIMIENTO ESCRITO DE REGAL-BELOIT CORPORATION. -TODOS LOS DERECHOS RESERVADOS.

**REGAL REGAL-BELOIT CORPORATION**

DESCRIPCION: **MODEL-RFHP-48FR OUTLINE**

TAMAÑO: C      NUMERO DE DIBUJO: FS1038

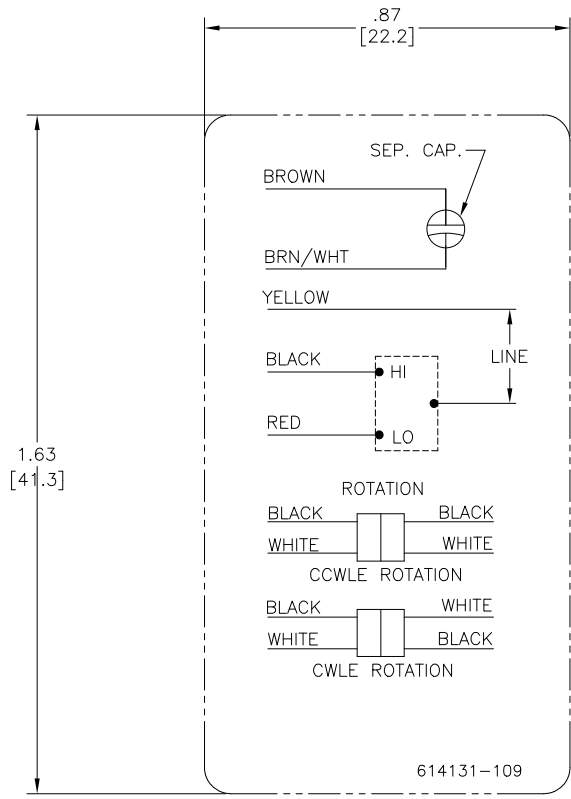
ESCALA: NONE      HOJA: 1

4

3

2

1



NOTES:

1. FOR USE WITH 614129 NAMEPLATE BLANK
2. - - - - - INDICATES DIMENSION LIMITS
3. DIE TO BE MADE FROM MASTER SUPPLIED BY A. O. SMITH CORPORATION
4. DIE MUST PRODUCE A LEGIBLE IMPRESSION.

DRAWING REVISION C		REVISION BY J. RUPERT	DATE 08-24-2021	TOLERANCES UNLESS OTHERWISE SPECIFIED		DRAWN BY: CZ								
ECO NMR-0210151		APPROVED BY J. RUPERT	DATE 08-24-2021	DEC.	INCH	mm	ANGLE			DATE: 11-20-2009				
ECO DESCRIPTION REVISED FOR UP ISSUE				.X	±0.1	[±2.5]	±0.5°	APPROVED BY: TR	DESCRIPTION CONN DIAGRAM-NAMEPLATE					
<small>                 COPYRIGHT REGAL BELOIT AMERICA, INC. ALL RIGHTS RESERVED.                  PROPRIETARY AND CONFIDENTIAL INFORMATION - THIS DOCUMENT IS THE PROPERTY OF REGAL BELOIT AMERICA, INC. (OWNER) AND CONTAINS OWNER'S PROPRIETARY INFORMATION. ANY PERSON, CORPORATION OR OTHER ENTITY, DUPLICATING AND/OR USING, EXCEPT BY RECEIVING IT, TO AGREE THAT IT, AND/OR ANY PART OF IT, SHALL NOT BE DISCLOSED TO ANY PERSON, CORPORATION OR OTHER ENTITY, DUPLICATED, AND/OR USED, EXCEPT AS EXPRESSLY APPROVED IN WRITING IN ADVANCE BY OWNER. THIS DOCUMENT SHALL BE RETURNED TO OWNER UPON REQUEST. IT MAY BE SUBJECT TO CERTAIN RESTRICTIONS UNDER APPLICABLE EXPORT CONTROL LAWS AND REGULATIONS.             </small>				.XX	±0.02	[±0.51]		DATE: 11-20-2009*	REFERENCE	MATERIAL	PROCESS/FINISH			
				.XXX	±0.005	[±0.127]				THIRD ANGLE PROJECTION	SIZE	DWG NO	SHEET	
				REMOVE BURRS & BREAK SHARP EDGES .003/.015 [0.076/.381] X 45°			CORNER FILLETS R.02 [5.1]		MACHINED SURFACES		125	mm	3/2	
				mm SHOWN IN [BRACKETS]								C	614131-109	1