

PRODUCT INFORMATION PACKET



Model No: FS1076S
Catalog No: FS1076S

Condenser Fan Motor, 3/4 HP, 1 Ph, 60 Hz, 208-230 V, 1075 RPM, 1 Speed, 48 Frame, SEMI ENCLOSED



Regal and Century are trademarks of Regal Rexnord Corporation or one of its affiliated companies.
©2023 Regal Rexnord Corporation, All Rights Reserved. MC017097E





Nameplate Specifications

Output HP	3/4 Hp	Output KW	0.56 kW
Frequency	60 Hz	Voltage	208-230 V
Current	4.8 A	Speed	1075 rpm
Service Factor	1	Phase	1
Duty	Air Over	Insulation Class	B
Frame	48Y	Enclosure	Semi Enclosed
Thermal Protection	Automatic	Ambient Temperature	60 °C
UL	Recognized	CSA	Y
CE	N	Number of Speeds	1

Technical Specifications

Electrical Type	Permanent Split Capacitor	Starting Method	Across The Line
Poles	6	Rotation	Reversible
Mounting	Extended Studs	Motor Orientation	Any
Drive End Bearing	Sleeve	Opp Drive End Bearing	Sleeve
Frame Material	Rolled Steel	Shaft Type	Double Flat
Overall Length	12.53 in	Frame Length	5.00 in
Shaft Diameter	0.500 in	Shaft Extension	6.4 in
Connection Drawing	614131-115	Outline Drawing	FS1076S-S01

This is an uncontrolled document once printed or downloaded and is subject to change without notice. Date Created:02/16/2023

GENERAL INFORMATION:

SHAFT RUNOUT: .001 [.03] T.I.R. PER INCH LENGTH OF EXTENSION

END PLAY: .010 TO .063 [.25 TO 1.60]

BEARINGS: SLEEVE

MOUNTING POSITION: HORIZONTAL OR VERTICAL SHAFT-UP

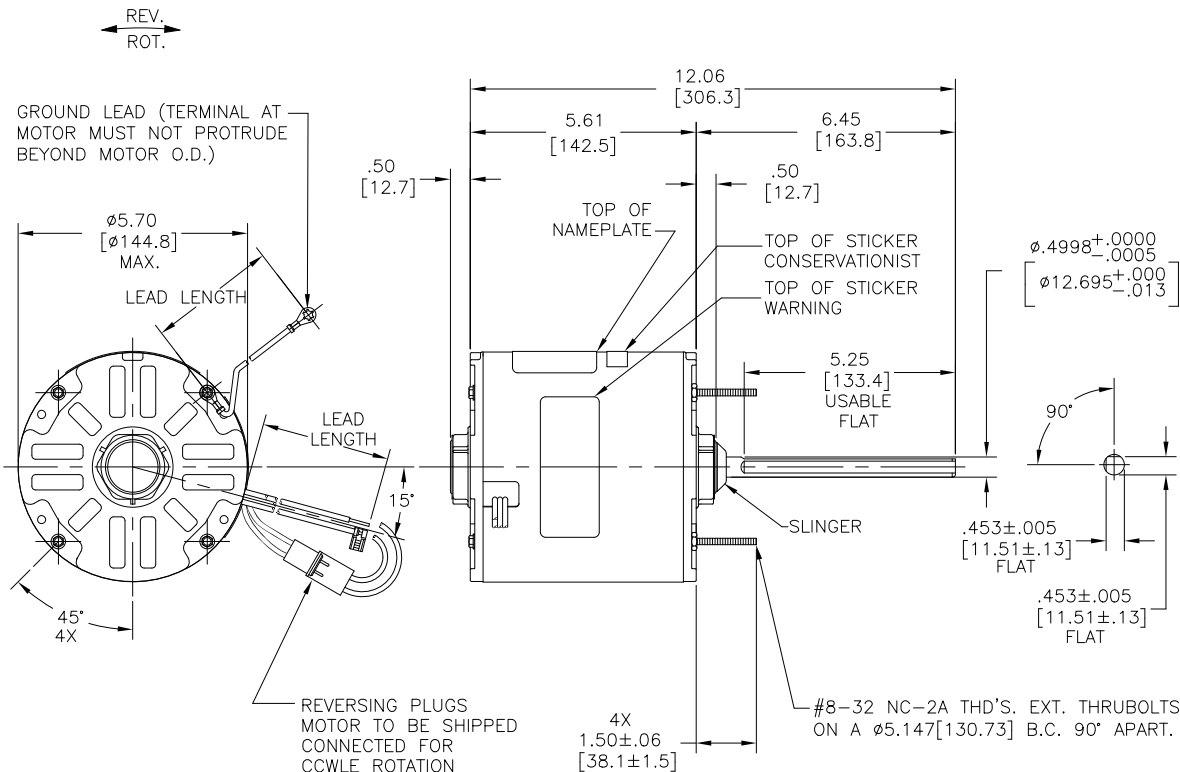
ELECTRICAL DATA:

OVERLOAD PROTECTOR: AUTOMATIC RESET (T.I. 7AM 036)

LINE LEADS: NO. 18 GA., .06 [1.5] THK. PVC 105°C INSUL.

REVERSING LEADS: NO. 18 GA., .03 [.8] THK. XLP 125°C INSUL.

GROUND LEAD: NO. 18 GA., .03 [.8] THK. (GREEN) INSUL.



NAMEPLATE DATA:	EXTERNAL CONNECTION DIAGRAM
MODEL NO.: F48SQ6L66 CUST. P/N: FS1076S HP: 3/4 ROT.: REVERSIBLE RPM: 1075 TYPE: UF FRAME: 48Y VOLTS: 208-230 PH: 1 AMPS: 4.8 HZ: 60 INS.: B AMB.: 60°C DUTY: AIR OVER CAP.: 10 MFD/370 V ENCL: SEMI-ENCL UL LOGO CSA LOGO THERMALLY PROTECTED	

LEAD DATA		
COLOR	LENGTH	TERMINAL OR STRIP LENGTH
YELLOW	26.0/28.0 [660/711]	.50 [12.7] SKIN
BLACK	26.0/28.0 [660/711]	.50 [12.7] SKIN
BROWN	26.0/28.0 [660/711]	.25 [6.4] FLAG
BROWN/WHITE	26.0/28.0 [660/711]	.25 [6.4] FLAG
GREEN	12.0/13.0 [305/330]	#10 EYELET
BLACK/WHITE	3.5/5.0 [76/127]	REVERSING PLUG

REGAL-BELOIT CORPORATION (RBC) PROVIDES TECHNICAL ASSISTANCE TO OUR CUSTOMERS IN SEVERAL AREAS. SINCE RBC DOES NOT RECEIVE ALL DATA CONCERNING THE USE AND APPLICATION OF THE MOTOR, THE SUITABILITY OF THE MOTOR FOR THE APPLICATION MUST BE DETERMINED BY THE CUSTOMER.

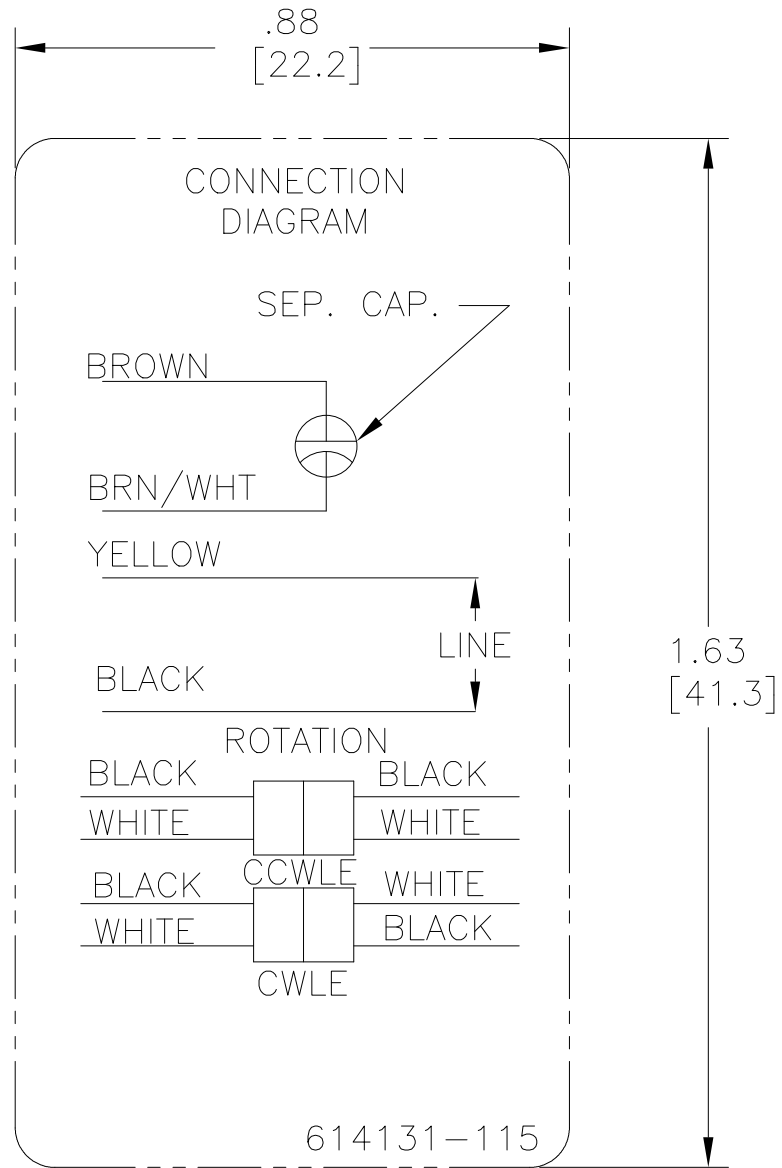
DIMENSIONS WITHOUT TOLERANCES ARE FOR REFERENCE ONLY.

ENCLOSURE	
END FRAME - LE	OPEN
MAIN FRAME - LE	ENCLOSED
END FRAME - OLE	ENCLOSED
MAIN FRAME - OLE	ENCLOSED

PERFORMANCE CURVE NO.	TORQUE @1075 RPM (25°C)	APPROVED SAMPLE	UL COMPONENT	CSA
			FILE #	CCN #
			FILE #	CLASS #
C24758	74.0 OZ. FT.	EX12374-1	E46412	PRGY2
			LR43341	4211-01

NOTES;
 1. CTQ REQUIREMENT SEE EP000105-008
 2. RoHS & REACH ETC REQUIREMENT SEE EP000014

CRITICAL TO QUALITY CHARACTERISTICS (CTQs) (P) PROCESS (E) ENGINEERING (A) APPLICATION (R) REGULATORY (L) LIFE	DRAWING REVISION BY DATE ECR-0210166 RUI LIAN 06-10-2021 APPROVED BY KEYUN GONG 06-10-2021	TOLERANCES UNLESS OTHERWISE SPECIFIED DEC. INCH mm ANGLE .X ±0.1 [±2.5] ±0.5° .XX ±0.02 [±0.51] .XXX ±0.005 [±0.127] .XXXX ±0.0005 [±0.0127]	DRAWN BY: THACP DATE: 10-24-1995 APPROVED BY: D H C DATE: 10-25-1995 PROCESS/FINISH: - THIRD ANGLE PROJECTION	REGAL Beloit America, Inc. DESCRIPTION: MODEL-RFHP-48FR OUTLINE MATERIAL: - SIZE: C DWG NO: FS1076S SHEET: 1
	COPYRIGHT REGAL-BELOIT AMERICA, INC. ALL RIGHTS RESERVED. PROPRIETARY AND CONFIDENTIAL INFORMATION - THIS DOCUMENT IS THE PROPERTY OF REGAL-BELOIT AMERICA, INC. (OWNER) AND COMPANY OWNER'S PROPRIETARY INFORMATION. ANY PERSON, CORPORATION OR OTHER ENTITY, DUPLICATED, AND/OR USED, EXCEPT BY RECEIVING IT, TO AGREE THAT IT, AND/OR ANY PART OF IT, SHALL NOT BE DISCLOSED TO ANY PERSON, CORPORATION OR OTHER ENTITY, DUPLICATED, AND/OR USED, EXCEPT AS EXPRESSLY APPROVED IN WRITING IN ADVANCE BY OWNER. THIS DOCUMENT SHALL BE RETURNED TO OWNER UPON REQUEST. IT MAY BE SUBJECT TO CERTAIN RESTRICTIONS UNDER APPLICABLE EXPORT CONTROL LAWS AND REGULATIONS.	REMOVE BURRS & BREAK SHARP EDGES .003/.015 [0.076/.381] CORNER FILLETS .02 [51] MACHINED SURFACES: 125 INCH/mm 3/2 mm SHOWN IN [BRACKETS]	DATE: 10-25-1995 APPROVED BY: D H C DATE: 10-25-1995 PROCESS/FINISH: - THIRD ANGLE PROJECTION	CUSTOMER: - DISTRIBUTION SERVICE: -



NOTES:

1. FOR USE WITH 614129 NAMEPLATE BLANK
2. — — — — — INDICATES DIMENSION LIMITS
3. DIE TO BE MADE FROM MASTER SUPPLIED BY A. O. SMITH CORPORATION

4. DIE MUST PRODUCE A LEGIBLE IMPRESSION

DRAWING REVISION D	REVISION BY J. RUPERT	DATE 09-09-2021
ECO NMR-0210333	APPROVED BY J. RUPERT	DATE 09-09-2021

ECO DESCRIPTION
REVISED FOR UP ISSUE

COPYRIGHT REGAL BELOIT AMERICA, INC. ALL RIGHTS RESERVED. PROPRIETARY AND CONFIDENTIAL INFORMATION - THIS DOCUMENT IS THE PROPERTY OF REGAL BELOIT AMERICA, INC. ("OWNER") AND CONTAINS OWNER'S PROPRIETARY INFORMATION. ANY PERSON, CORPORATION OR OTHER FIRM RECEIVING IT IS DEEMED, BY RECEIVING IT, TO AGREE THAT IT, AND/OR ANY PART OF IT, SHALL NOT BE DISCLOSED TO ANY PERSON, CORPORATION OR OTHER ENTITY, DUPLICATED, AND/OR USED, EXCEPT AS EXPRESSLY APPROVED IN WRITING IN ADVANCE BY OWNER. THIS DOCUMENT SHALL BE RETURNED TO OWNER UPON REQUEST. IT MAY BE SUBJECT TO CERTAIN RESTRICTIONS UNDER APPLICABLE EXPORT CONTROL LAWS AND REGULATIONS.

TOLERANCES UNLESS OTHERWISE SPECIFIED			
DEC.	INCH	mm	ANGLE
.X	±0.1	[±2.5]	±0.5°
.XX	±0.02	[±0.51]	
.XXX	±0.005	[±0.127]	
.XXXX	±0.0005	[±0.0127]	
REMOVE BURRS & BREAK SHARP EDGES .003/.015 [0.076/.381] X 45°			
CORNER FILLETS R.02 [51]			
MACHINED SURFACES			
$\sqrt[.125]{\text{INCH}}$ $\sqrt[3.2]{\text{mm}}$			
mm SHOWN IN [BRACKETS]			

DRAWN BY: J. RUPERT	THIRD ANGLE PROJECTION
DATE: 06-24-2010	
APPROVED BY: T. RILEY	
DATE: 06-24-2010	
REFERENCE	

Regal Beloit America, Inc.	
DESCRIPTION CONN DIAGRAM EXTERNAL	
MATERIAL	PROCESS/FINISH
SIZE A	DWG NO 4 of 4
614131-115	
SHEET 1	