

PRODUCT INFORMATION PACKET



Model No: FSE1026

Catalog No: FSE1026

Condenser Fan Motor, 1/4 HP, 1 Ph, 60 Hz, 208-230 V, 1075 RPM, 2 Speed, 48 Frame, ENCLOSED



Regal and Century are trademarks of Regal Rexnord Corporation or one of its affiliated companies.

©2023 Regal Rexnord Corporation, All Rights Reserved. MC017097E





Nameplate Specifications

Output HP	1/4 Hp	Output KW	0.19 kW
Frequency	60 Hz	Voltage	208-230 V
Current	1.3 A	Speed	1075 rpm
Service Factor	1	Phase	1
Duty	Air Over	Insulation Class	B
Frame	48Y	Enclosure	Totally Enclosed
Thermal Protection	Automatic	Ambient Temperature	60 °C
UL	Recognized	CSA	N
CE	N	Number of Speeds	2

Technical Specifications

Electrical Type	Permanent Split Capacitor	Starting Method	Across The Line
Poles	6	Rotation	Reversible
Mounting	Extended Studs	Motor Orientation	Any
Drive End Bearing	Sleeve	Opp Drive End Bearing	Sleeve
Frame Material	Rolled Steel	Shaft Type	Double Flat
Overall Length	10.92 in	Frame Length	3.75 in
Shaft Diameter	0.500 in	Shaft Extension	6 in
Outline Drawing	F48SJ6L6-S01	Connection Drawing	614131-109

This is an uncontrolled document once printed or downloaded and is subject to change without notice. Date Created:02/16/2023

REV	ECO	REV BY	DATE	APPD	DATE
B	0025550	A. ARREOLA	04-27-2012	D. BALDERRAMA	04-27-2012

GENERAL INFORMATION:

SHAFT RUNOUT: .001[.03] T.I.R. PER INCH[24.4mm] LENGTH OF EXTENSION.

END PLAY: .010[.25] TO .063[1.60]

BEARINGS: SLEEVE

MOUNTING POSITION: ALL ANGLE

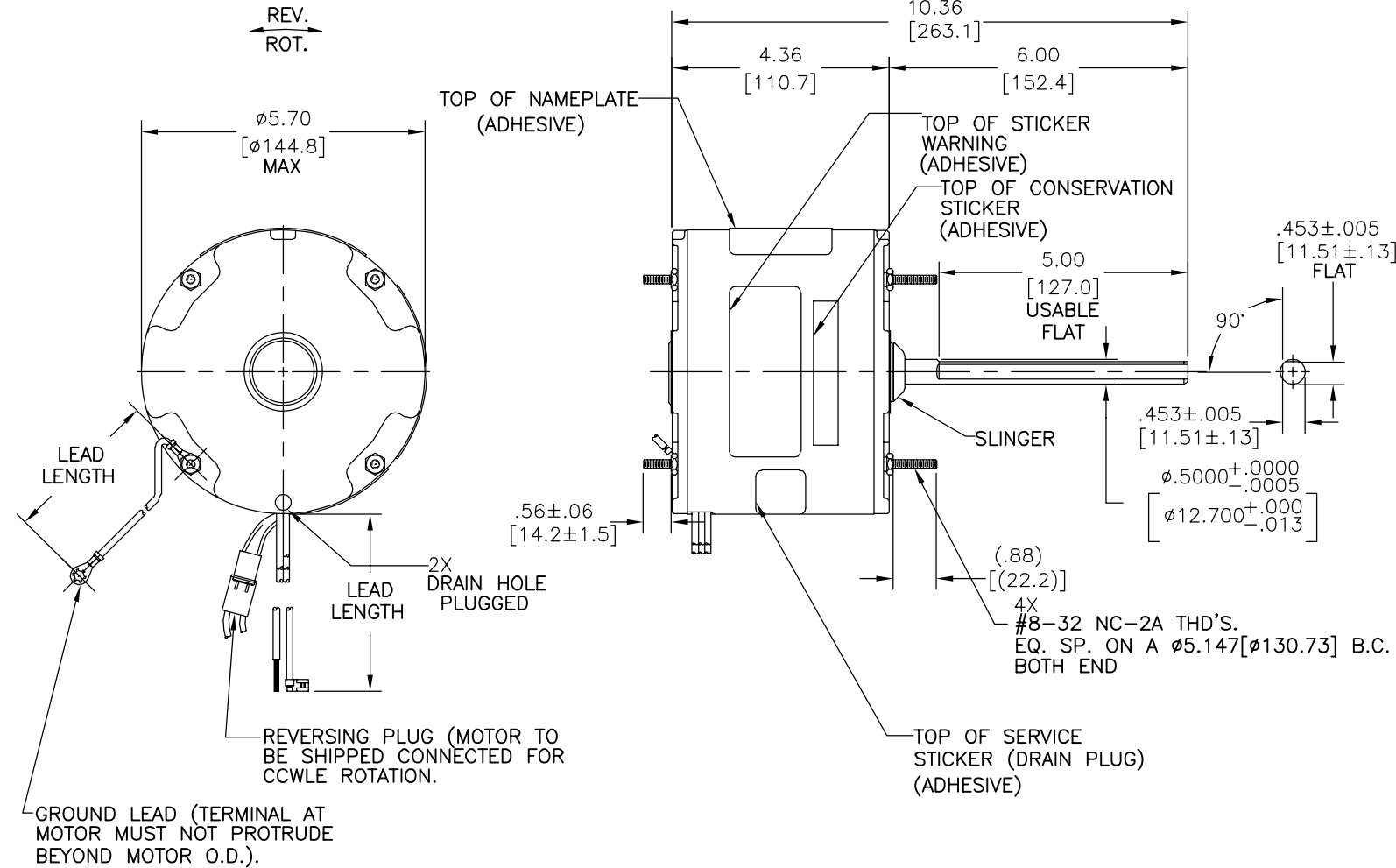
ELECTRICAL DATA:

OVERLOAD PROTECTOR: AUTOMATIC RESET (T.I. 7AM 036)

LEADS: NO. 18 GA., .06[1.5] THK., 125°C INSUL.

REVERSING LEADS: NO. 18 GA., .06[1.5] THK., 125°C INSUL.

GROUND LEAD: NO. 18 GA., .03[.8] THK., (GREEN) INSUL.



NOTE:
1. DISTRIBUTION PART NUMBER: FSE1026
GRAINGER PART NUMBER: 4MB33

BLACK/WHITE	3.0[76]/5.0[127]	REVERSING PLUG
GREEN(GRD)	12.0[305]/13.0[330]	#10 EYELET
BROWN/WHITE	26.0[660]/28.0[711]	.25[6.4] FLAG
BROWN	26.0[660]/28.0[711]	.25[6.4] FLAG
YELLOW	26.0[660]/28.0[711]	.50[12.7] SKIN
BLACK	26.0[660]/28.0[711]	.50[12.7] SKIN
RED	26.0[660]/28.0[711]	.50[12.7] SKIN
COLOR	LENGTH	TERMINAL OR STRIP LENGTH

MAIN FR.-OLE	ENCLOSED
END FR.-OLE	ENCLOSED
MAIN FR.-LE	ENCLOSED
END FR.-LE	ENCLOSED

CUSTOMER	DISTRIBUTION SERVICE
----------	----------------------

SEE NOTE 1

NAMEPLATE DATA:	EXTERNAL CONNECTION DIAGRAM
MODEL: F48SJ6L6 CUST. P/N: [] HP: 1/4 ROT: REVERSIBEL RPM: 1075/2 SPD. TYPE: UF FRAME: 48Y VOLTS: 208-230 PH: 1 AMPS: 1.3 (1.8 MAX) HZ: 60 INS: B AMB: 60 °C DUTY: AIR OVER CAP.: 5 MFD/370 V ENCL: ENCLOSED UL LOGO THERMALLY PROTECTED	BROWN SEP. CAP. BROWN/W. YELLOW BLACK HI LINE RED LO ROTATION BLACK WHITE WHITE BLACK CCWLE WHITE WHITE BLACK CWLE 614131-109

PREFORMANCE CURVE NO.	TORQUE @ 1075 RPM(25°C)	APPROVED SAMPLE	UL COMPONENT FILE#	CCN#	CSA FILE#	CLASS#
C22894	27.0 OZ. FT.	EX11196	E46412	PRGY2	LR43341	4211-01

GEOMETRIC CHARACTERISTICS & SYMBOLS

- FLATNESS
- STRAIGHTNESS
- ∠ ANGULARITY
- ⊥ PERPENDICULARITY (SQUARENESS)
- ∥ PARALLELISM
- ROUNDNESS (CIRCULARITY)
- ⊘ CYLINDRICITY
- △ PROFILE OF ANY SURFACE
- ∧ PROFILE OF ANY LINE
- ∩ RUNOUT
- ⊕ TRUE POSITION
- ◎ CONCENTRICITY
- ≡ SYMMETRY

ASME Y14.5M 1994

REGAL-BELOIT CORPORATION (RBC) PROVIDES TECHNICAL ASSISTANCE TO OUR CUSTOMERS IN SEVERAL AREAS. SINCE RBC DOES NOT RECEIVE ALL DATA CONCERNING THE USE AND APPLICATION OF THE MOTOR, THE SUITABILITY OF THE MOTOR FOR THE APPLICATION MUST BE DETERMINED BY THE CUSTOMER.

DIMENSIONS WITHOUT TOLERANCES ARE FOR REFERENCE ONLY.

DR BY: AS 02-14-2011

APPD: BS 02-14-2011

THIRD ANGLE PROJECTION

EDS DATE 11-11-2011
FORMAT REV G

CONFIDENTIAL: THIS DRAWING AND ITS INFORMATION ARE THE EXCLUSIVE AND CONFIDENTIAL PROPERTY OF REGAL-BELOIT CORPORATION AND ARE NOT TO BE DISCLOSED, DUPLICATED, DISTRIBUTED OR OTHERWISE USED WITHOUT THE WRITTEN CONSENT OF REGAL-BELOIT CORPORATION. -ALL RIGHTS RESERVED.

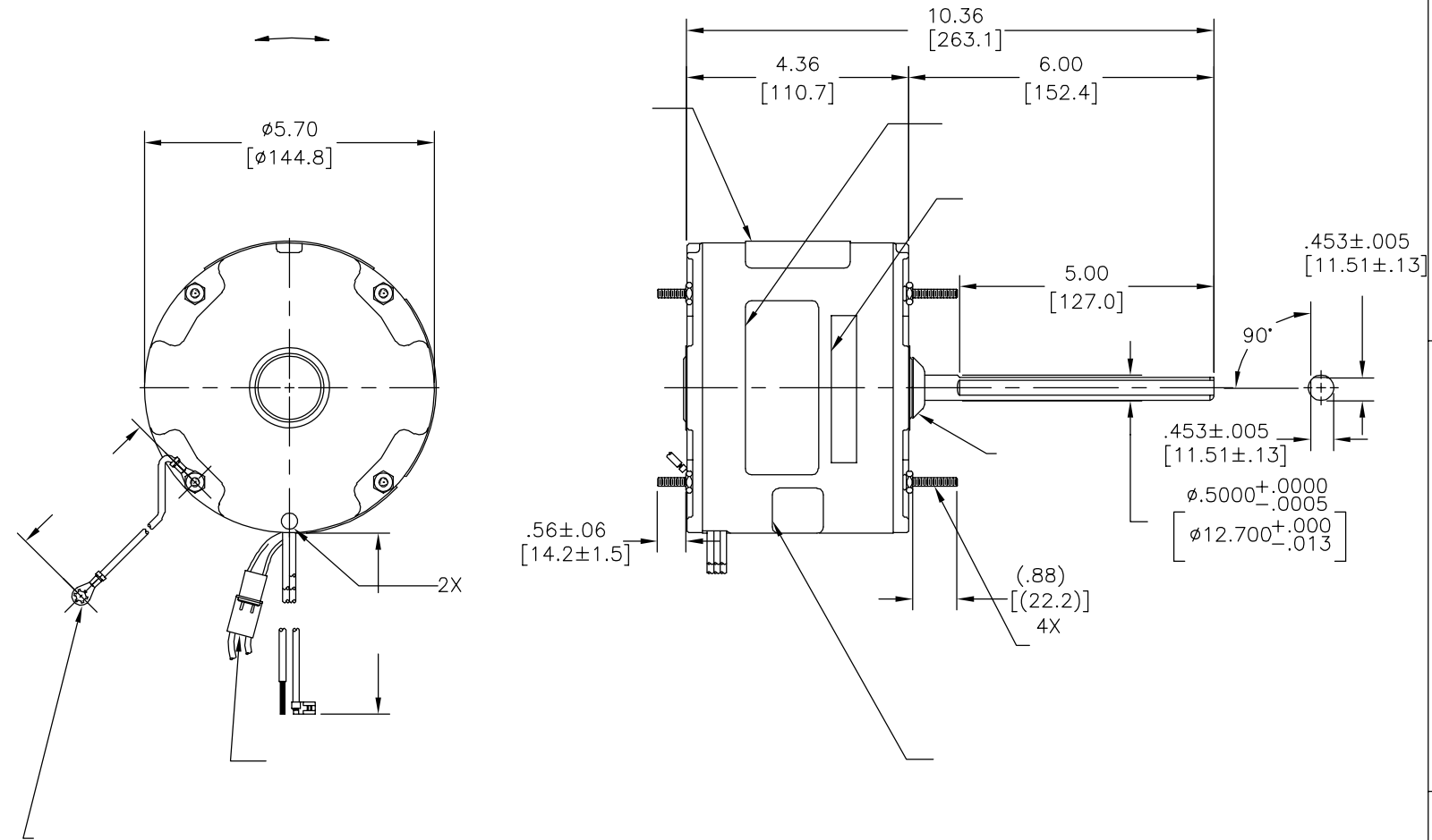
REGAL-BELOIT CORPORATION

DESCRIPTION: MODEL-RFHP-48FR OUTLINE

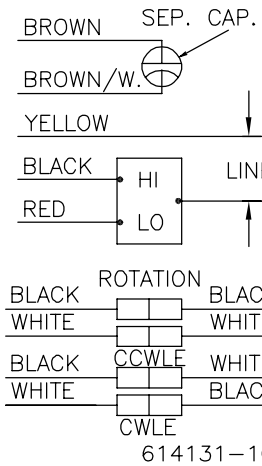
SIZE: C DWG NO: F48SJ6L6

SCALE: NONE SHEET: 1

REVISION:	ECO	REVISADO POR:	FECHA:	APROBADO POR:	FECHA:
B	0025550	A. ARREOLA	04-27-2012	D. BALDERRAMA	04-27-2012



MODEL: F48SJ6L6
 CUST. P/N: []
 HP: 1/4
 ROT: REVERSIBEL
 RPM: 1075/2 SPD.
 TYPE: UF
 FRAME: 48Y
 VOLTS: 208-230
 PH: 1
 AMPS: 1.3 (1.8 MAX)
 HZ: 60
 INS: B
 AMB: 60 °C
 DUTY: AIR OVER
 CAP.: 5 MFD/370 V
 ENCL: ENCLOSED
 UL LOGO
 THERMALLY PROTECTED



	3.0[76]/5.0[127]	
	12.0[305]/13.0[330]	
	26.0[660]/28.0[711]	.25[6.4]
	26.0[660]/28.0[711]	.25[6.4]
	26.0[660]/28.0[711]	.50[12.7]
	26.0[660]/28.0[711]	.50[12.7]
	26.0[660]/28.0[711]	.50[12.7]

C22894	27.0 OZ. FT.	EX11196	E46412	PRGY2	LR43341	4211-01
--------	--------------	---------	--------	-------	---------	---------

CUSTOMER	DISTRIBUTION SERVICE
----------	----------------------

CARACTERISTICAS DE GEOMETRIA Y SIMBOLOS
 ▽ PLANICIDAD
 — RECTITUD
 < ANGULARIDAD
 ⊥ PERPENDICULARIDAD (A ESCUADRA)
 // PARALELISMO
 ○ REDONDEZ (CIRCULARIDAD)
 ∅ CILINDRICIDAD
 △ PERFIL DE CUALQUIER SUPERFICIE
 ∩ PERFIL DE CUALQUIER LINEA
 ↗ VARIACION
 ⊕ POSICION REAL
 ⊙ CONCENTRICIDAD
 = SIMETRIA
 ASME Y14.5M 1994

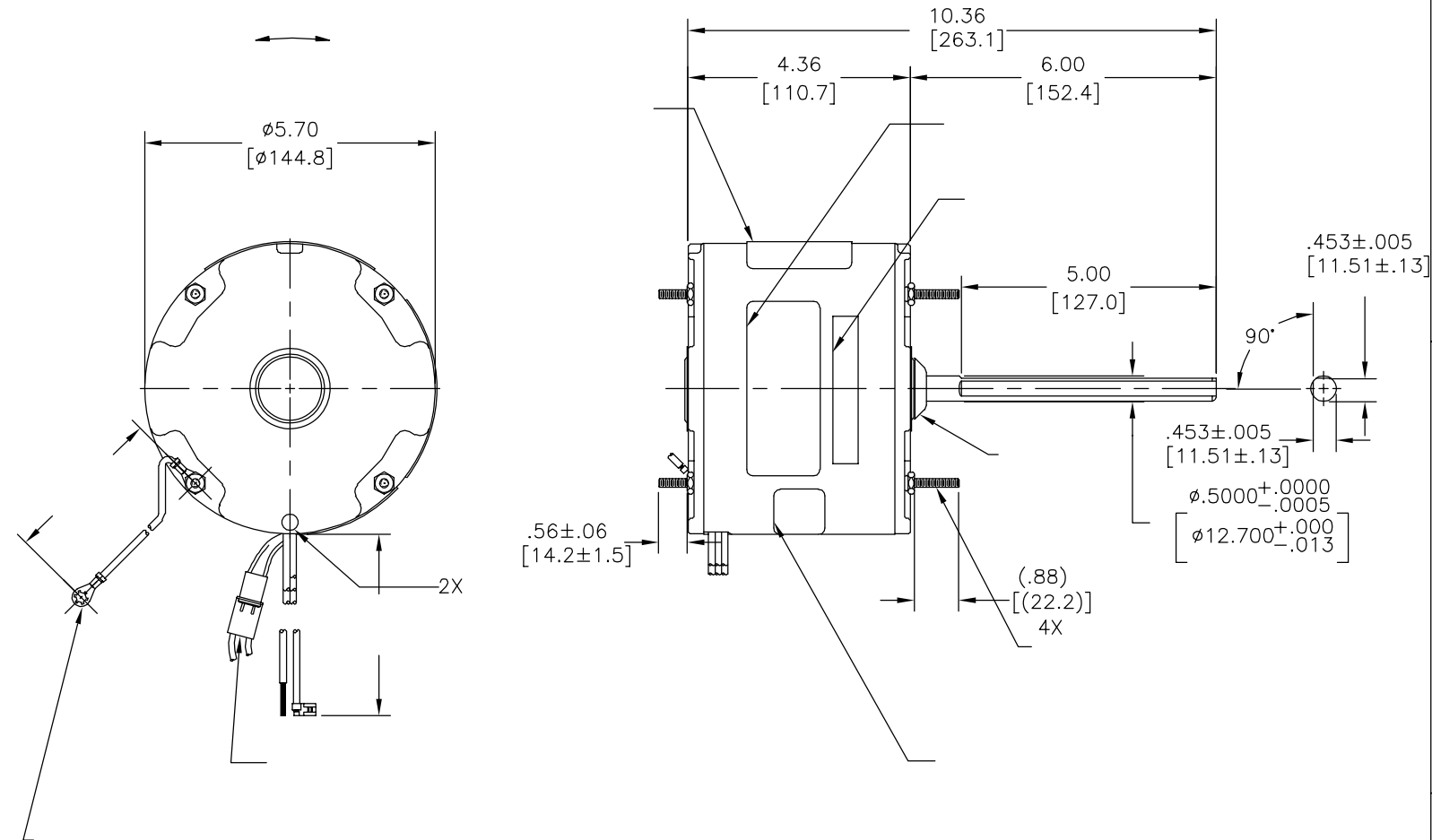
REGAL-BELOIT CORPORATION (RBC) PROVEE ASISTENCIA TECNICA A NUESTROS CLIENTES EN VARIAS AREAS. DESDE QUE RBC NO RECIBE TODOS LOS DATOS EN RELACION AL USO Y A LA APLICACION DEL MOTOR, LA APLICACION ADECUADA DEL MOTOR DEBE SER DETERMINADA POR EL CLIENTE.

DIMENSIONES SIN TOLERANCIA SON DE REFERENCIA SOLAMENTE

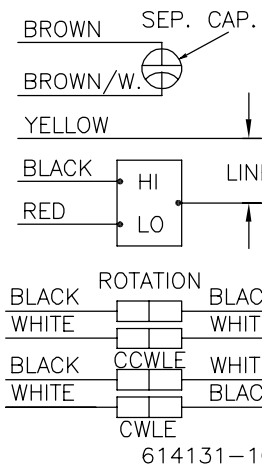
DIBUJADO POR: AS 02-14-2011
 APROBADO POR: BS 02-14-2011
 TERCER ANGULO DE PROYECCION
 FECHA EDS: 11-11-2011
 REV. FORMATO: G
 CONFIDENCIAL: ESTE DIBUJO Y SU INFORMACION SON PROPIEDAD DE USO EXCLUSIVO Y CONFIDENCIAL DE REGAL-BELOIT CORPORATION. Y NO DEBERAN SER REVELADOS, DUPLICADOS, DISTRIBUIDOS O USARSE DE OTRA MANERA SIN EL CONSENTIMIENTO ESCRITO DE REGAL-BELOIT CORPORATION. -TODOS LOS DERECHOS RESERVADOS.

REGAL-BELOIT CORPORATION
 DESCRIPCION: MODEL-RFHP-48FR OUTLINE
 TAMAÑO: C NUMERO DE DIBUJO: F48SJ6L6
 ESCALA: NONE HOJA: 1

版本	ECO	编制	日期	批准	日期
B	0025550	A. ARREOLA	04-27-2012	D. BALDERRAMA	04-27-2012



MODEL: F48SJ6L6
 CUST. P/N: []
 HP: 1/4
 ROT: REVERSIBEL
 RPM: 1075/2 SPD.
 TYPE: UF
 FRAME: 48Y
 VOLTS: 208-230
 PH: 1
 AMPS: 1.3 (1.8 MAX)
 HZ: 60
 INS: B
 AMB: 60 °C
 DUTY: AIR OVER
 CAP.: 5 MFD/370 V
 ENCL: ENCLOSED
 UL LOGO
 THERMALLY PROTECTED



	3.0[76]/5.0[127]	
	12.0[305]/13.0[330]	
	26.0[660]/28.0[711]	.25[6.4]
	26.0[660]/28.0[711]	.25[6.4]
	26.0[660]/28.0[711]	.50[12.7]
	26.0[660]/28.0[711]	.50[12.7]
	26.0[660]/28.0[711]	.50[12.7]

C22894	27.0 OZ. FT.	EX11196	E46412	PRGY2	LR43341	4211-01
--------	--------------	---------	--------	-------	---------	---------

CUSTOMER	DISTRIBUTION SERVICE
----------	----------------------

- 形位公差
- 平面度
- 直线度
- ∠ 倾斜度
- ⊥ 垂直度
- // 平行度
- 圆度
- ⊘ 圆柱度
- △ 面轮廓度
- ∇ 线轮廓度
- ↗ 圆跳动
- ⊕ 位置度
- ⊙ 同轴度
- ≡ 对称度

ASME Y14.5M 1994

REGAL-BELOIT CORPORATION (RBC) 在个别领域为客户
 提供技术支持。鉴于RBC
 未收到任何涉及电机使用和
 应用环境的数据，电机的适用性
 由客户自己决定。

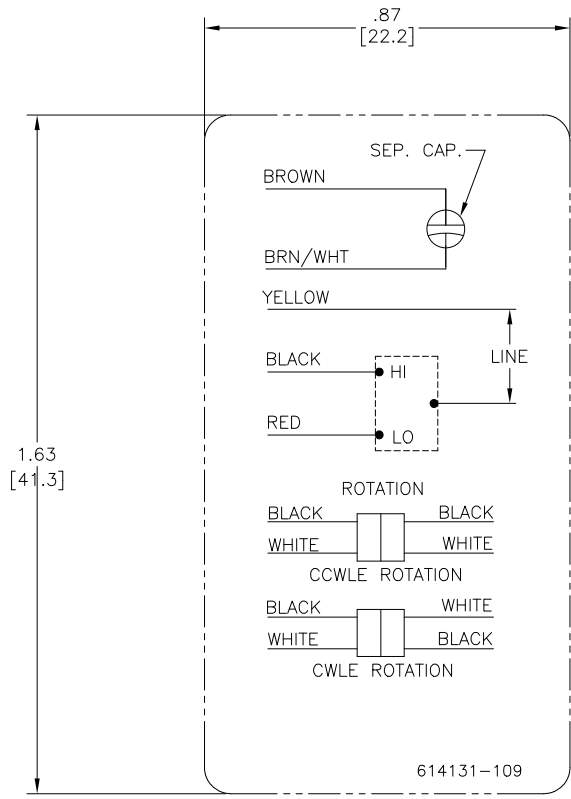
未注公差尺寸仅供参考。

绘图:	AS	02-14-2011
批准:	BS	02-14-2011
第三角投影		图纸格式发布日期 11-11-2011 图纸格式版本 G
机密: 本图纸及相关信息所有权归REGAL-BELOIT CORPORATION 未经REGAL-BELOIT CORPORATION书面授权, 不得泄露、 复制、传播或作其他用途。一版权所有		



名称
 MODEL-RFHP-48FR
 OUTLINE

图幅	C	图号	F48SJ6L6
比例	NONE	页号	1



NOTES:

1. FOR USE WITH 614129 NAMEPLATE BLANK
2. - - - - - INDICATES DIMENSION LIMITS
3. DIE TO BE MADE FROM MASTER SUPPLIED BY A. O. SMITH CORPORATION
4. DIE MUST PRODUCE A LEGIBLE IMPRESSION.

DRAWING REVISION C	REVISION BY J. RUPERT	DATE 08-24-2021	TOLERANCES UNLESS OTHERWISE SPECIFIED DEC. INCH mm ANGLE .X ±0.1 [±2.5] ±0.5° .XX ±0.02 [±0.51] .XXX ±0.005 [±0.127] .XXXX ±0.0005 [±0.0127]	DRAWN BY: CZ			
ECO NMR-0210151	APPROVED BY J. RUPERT	DATE 08-24-2021	REMOVE BURRS & BREAK SHARP EDGES .003/.015 [0.076/.381] X 45° CORNER FILLETS R.02 [5.1] MACHINED SURFACES .125/ mm 32° mm SHOWN IN [BRACKETS]	DATE: 11-20-2009		DESCRIPTION CONN DIAGRAM-NAMEPLATE	
ECO DESCRIPTION REVISED FOR UP ISSUE			THIRD ANGLE PROJECTION	DATE: 11-20-2009*	MATERIAL		PROCESS/FINISH
<small> COPYRIGHT REGAL BELOIT AMERICA, INC. ALL RIGHTS RESERVED. PROPRIETARY AND CONFIDENTIAL INFORMATION - THIS DOCUMENT IS THE PROPERTY OF REGAL BELOIT AMERICA, INC. (OWNER) AND CONTAINS OWNER'S PROPRIETARY INFORMATION. ANY PERSON, CORPORATION OR OTHER ENTITY, DUPLICATING AND/OR USING, EXCEPT BY RECEIVING IT, TO AGREE THAT IT, AND/OR ANY PART OF IT, SHALL NOT BE DISCLOSED TO ANY PERSON, CORPORATION OR OTHER ENTITY, DUPLICATED, AND/OR USED, EXCEPT AS EXPRESSLY APPROVED IN WRITING IN ADVANCE BY OWNER. THIS DOCUMENT SHALL BE RETURNED TO OWNER UPON REQUEST. IT MAY BE SUBJECT TO CERTAIN RESTRICTIONS UNDER APPLICABLE EXPORT CONTROL LAWS AND REGULATIONS. </small>			THIRD ANGLE PROJECTION	DATE: 11-20-2009*	SIZE C	DWG NO 614131-109	SHEET 1