

# PRODUCT INFORMATION PACKET



Model No: FSE1054  
Catalog No: FSE1054

Condenser Fan Motor, 1/2-1/3 HP, 1 Ph, 60 Hz, 208-230 V, 1625 RPM, 2 Speed, 48 Frame, TEAO



Regal and Century are trademarks of Regal Rexnord Corporation or one of its affiliated companies.  
©2023 Regal Rexnord Corporation, All Rights Reserved. MC017097E





**Nameplate Specifications**

Output HP	1/2-1/3 Hp	Output KW	0.37 kW
Frequency	60 Hz	Voltage	208-230 V
Current	3.0/2.0 A	Speed	1625 rpm
Service Factor	1	Phase	1
Duty	Air Over	Insulation Class	B
Frame	48Y	Enclosure	Totally Enclosed Air Over
Thermal Protection	Automatic	Ambient Temperature	60 °C
UL	Recognized	CSA	Y
CE	N	Number of Speeds	2

**Technical Specifications**

Electrical Type	Permanent Split Capacitor	Starting Method	Across The Line
Poles	4	Rotation	Reversible
Mounting	Extended Studs	Motor Orientation	Any
Drive End Bearing	Sleeve	Opp Drive End Bearing	Sleeve
Frame Material	Rolled Steel	Shaft Type	Double Flat
Overall Length	11.92 in	Frame Length	4.75 in
Shaft Diameter	0.500 in	Shaft Extension	6 in
Connection Drawing	614131-109	Outline Drawing	FSE1054-S01

This is an uncontrolled document once printed or downloaded and is subject to change without notice. Date Created:02/16/2023

4 3 2 1

总技术要求:

轴跳动:

端部窜动量

轴承:

安装位置:

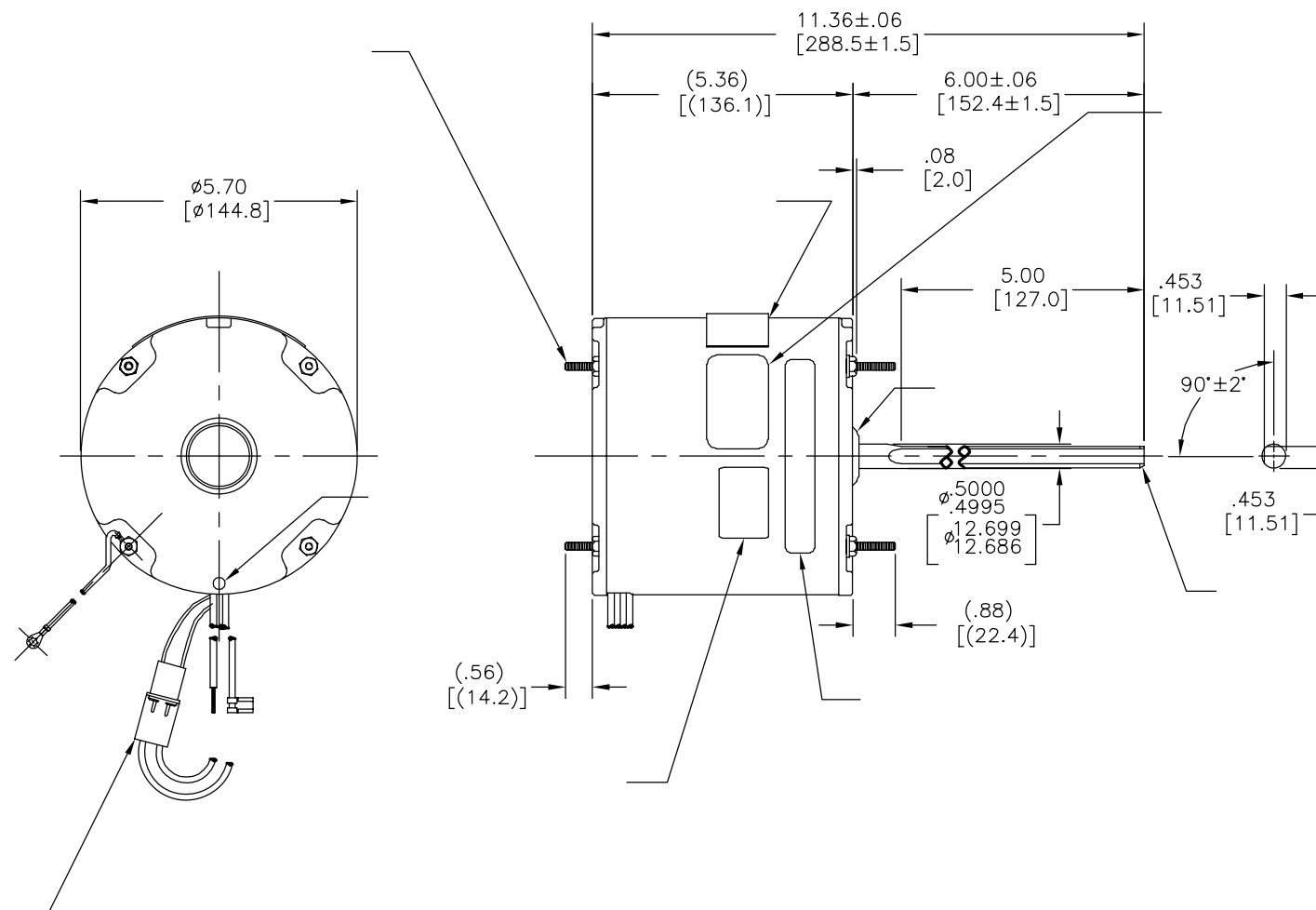
电气数据:

过载保护:

引线:

接地线:

版本	ECO	编制	日期	批准	日期
A	0031875	P.ROJAS	03-26-2013	S.JIMENEZ	03-26-2013



	12.0/13.0	
	[305/330]	
	26.0/28.0	
	[660/711]	
	26.0/28.0	
	[660/711]	
	26.0/28.0	.50[12.7]
	[660/711]	
	26.0/28.0	.50[12.7]
	[660/711]	
	26.0/28.0	.50[12.7]
	[660/711]	

颜色	长度	端子或剥线长度

无引线端机壳	
无引线端端盖	
有引线端机壳	
有引线端端盖	

密封性	
-----	--

用户	DISTRIBUTION SERVICES
----	-----------------------

铭牌数据	外部数据线
MODEL NO.: F48SQ4L8 CUST. P/N: FSE1054 HP: 1/2-1/3 ROT.: REVERSIBLE RPM: 1625/2SPD TYPE: UF FRAME: 48Y VOLTS: 208-230 PH: 1 AMPS: 3.0(4.2MAX) HZ: 60 INS.: B AMB.: 60°C DUTY: AIR OVER CAP.: 5 MFD/370 VAC ENCL: - UL LOGO CSA LOGO THERMALLY PROTECTED	

性能曲线编号	转矩在 @ --- RPM (25° C)	批准样品	UL部件	CSA
C24085	30.5 OZ. FT.	EX12101	文件号 指南	文件号 指南
			E46412 PRGY2	LR43341 260-φ-0

- 形位公差
- ⊥ 垂直度
- 直线度
- ∠ 倾斜度
- ⊥ 垂直度
- ∥ 平行度
- 圆度
- ⊙ 圆柱度
- ⊘ 圆锥度
- ⌒ 面轮廓度
- ⌒ 线轮廓度
- ⌒ 圆跳动
- ⊕ 位置度
- ⊖ 同轴度
- ≡ 对称度

ASME Y14.5M 1994

REGAL-BELOIT CORPORATION (RBC) 在个别领域为客户提供技术支持。鉴于 RBC 未收到任何涉及电机使用和应用环境的数据，电机的适用性由客户自己决定。

未注公差尺寸仅供参考。

绘图:	P.ROJAS	03-27-2013
批准:	S.JIMENEZ	03-27-2013
第二角投影		图纸格式发布日期 11-11-2011 图纸格式版本 H
机密: 本图纸及相关信息所有权归REGAL-BELOIT CORPORATION。未经REGAL-BELOIT CORPORATION书面授权, 不得泄露、复制、传播或作其他用途。--版权所有		

<b>REGAL REGAL-BELOIT CORPORATION</b>	
名称 MOTOR OUTLINE	
图号 C	图号 FSE1054
比例 NONE	页号 1

4 3 2 1

4 3 2 1

GENERAL INFORMATION:

SHAFT RUNOUT: .001[.03] T.I.R. PER INCH LENGTH OF EXTENSION

END PLAY: .010[.25] TO .063[1.60]

BEARINGS: SLEEVE

MOUNTING POSITION: ALL ANGLE

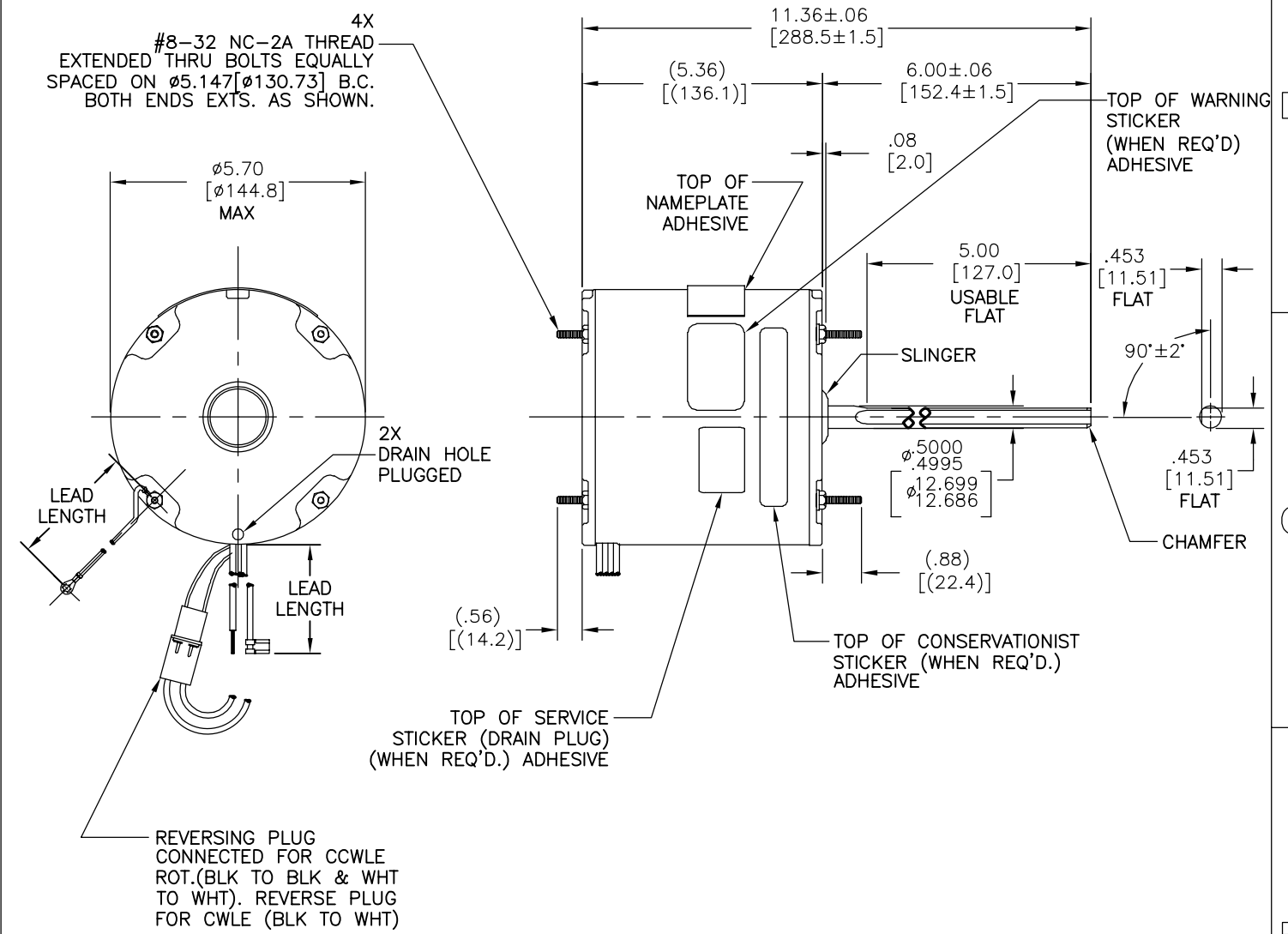
ELECTRICAL DATA:

OVERLOAD PROTECTOR: AUTOMATIC RESET (SENSATA 7AM 036)

LEADS: NO. 18 GA., .06[1.5] THICKNESS, 125°C INSULATION

GROUND LEAD: NO. 18 GA., .03[.8] THICKNESS, (GREEN) INSULATION

REV	ECO	REV BY	DATE	APPD	DATE
A	0031875	P.ROJAS	03-26-2013	S.JIMENEZ	03-26-2013



GREEN (GROUND)	12.0/13.0 [305/330]	#10 INTERNAL SERRATED TOOTH
BROWN	26.0/28.0 [660/711]	FLAG
BROWN/WHITE	26.0/28.0 [660/711]	FLAG
YELLOW	26.0/28.0 [660/711]	.50[12.7] SKIN
BLACK	26.0/28.0 [660/711]	.50[12.7] SKIN
RED	26.0/28.0 [660/711]	.50[12.7] SKIN
COLOR	LENGTH	TERMINAL OR STRIP LENGTH

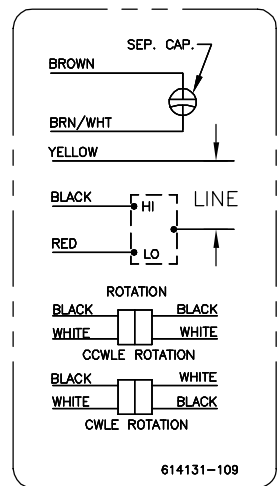
MAIN FRAME - OLE	CLOSED
END FRAME - OLE	CLOSED
MAIN FRAME - LE	CLOSED
END FRAME - LE	CLOSED

CUSTOMER	DISTRIBUTION SERVICES
----------	-----------------------

NAMEPLATE DATA:

MODEL NO.: F48SQ4L8  
 CUST. P/N: FSE1054  
 HP: 1/2-1/3  
 ROT.: REVERSIBLE  
 RPM: 1625/2SPD  
 TYPE: UF  
 FRAME: 48Y  
 VOLTS: 208-230  
 PH: 1  
 AMPS: 3.0(4.2MAX)  
 HZ: 60  
 INS.: B  
 AMB.: 60°C  
 DUTY: AIR OVER  
 CAP.: 5 MFD/370 VAC  
 ENCL: -  
 UL LOGO  
 CSA LOGO  
 THERMALLY PROTECTED

EXTERNAL CONNECTION DIAGRAM



PERFORMANCE CURVE NO.	TORQUE @ 1075 RPM (25°C)	APPROVED SAMPLE	UL COMPONENT		CSA	
C24085	30.5 OZ. FT.	EX12101	FILE #	GUIDE #	FILE #	GUIDE #
			E46412	PRGY2	LR43341	260-Ø-0

GEOMETRIC CHARACTERISTICS & SYMBOLS  
 ▽ FLATNESS  
 - STRAIGHTNESS  
 < ANGLARITY  
 ⊥ PERPENDICULARITY (SQUARENESS)  
 // PARALLELISM  
 ○ ROUNDNESS (CIRCULARITY)  
 ∅ CYLINDRICITY  
 △ PROFILE OF ANY SURFACE  
 ∩ PROFILE OF ANY LINE  
 ∩ RUNOUT  
 ⊕ TRUE POSITION  
 ⊙ CONCENTRICITY  
 = SYMMETRY  
 ASME Y14.5M 1994

REGAL-BELOIT CORPORATION (RBC) PROVIDES TECHNICAL ASSISTANCE TO OUR CUSTOMERS IN SEVERAL AREAS. SINCE RBC DOES NOT RECEIVE ALL DATA CONCERNING THE USE AND APPLICATION OF THE MOTOR, THE SUITABILITY OF THE MOTOR FOR THE APPLICATION MUST BE DETERMINED BY THE CUSTOMER.  
 DIMENSIONS WITHOUT TOLERANCES ARE FOR REFERENCE ONLY.

DR BY: P.ROJAS 03-27-2013  
 APPD: S.JIMENEZ 03-27-2013  
 THIRD ANGLE PROJECTION  
 EDS DATE 11-11-2011  
 FORMAT REV H  
 CONFIDENTIAL: THIS DRAWING AND ITS INFORMATION ARE THE EXCLUSIVE AND CONFIDENTIAL PROPERTY OF REGAL-BELOIT CORPORATION AND ARE NOT TO BE DISCLOSED, DUPLICATED, DISTRIBUTED OR OTHERWISE USED WITHOUT THE WRITTEN CONSENT OF REGAL-BELOIT CORPORATION. -ALL RIGHTS RESERVED.

**REGAL REGAL-BELOIT CORPORATION**

DESCRIPTION: MOTOR OUTLINE

SIZE: C DWG NO: FSE1054

SCALE: NONE SHEET: 1

4 3 2 1

4 3 2 1

REVISION:	ECO	REVISADO POR:	FECHA:	APROBADO POR:	FECHA:
A	0031875	P.ROJAS	03-26-2013	S.JIMENEZ	03-26-2013

**INFORMACION GENERAL:**

OSCILACION DE FLECHA: .001[.03]L.T.I. POR PULGADA DE LARGO DE EXTENSION

JUEGO AXIAL: .010[.25] A .063[1.60]

BALEROS: MANGA

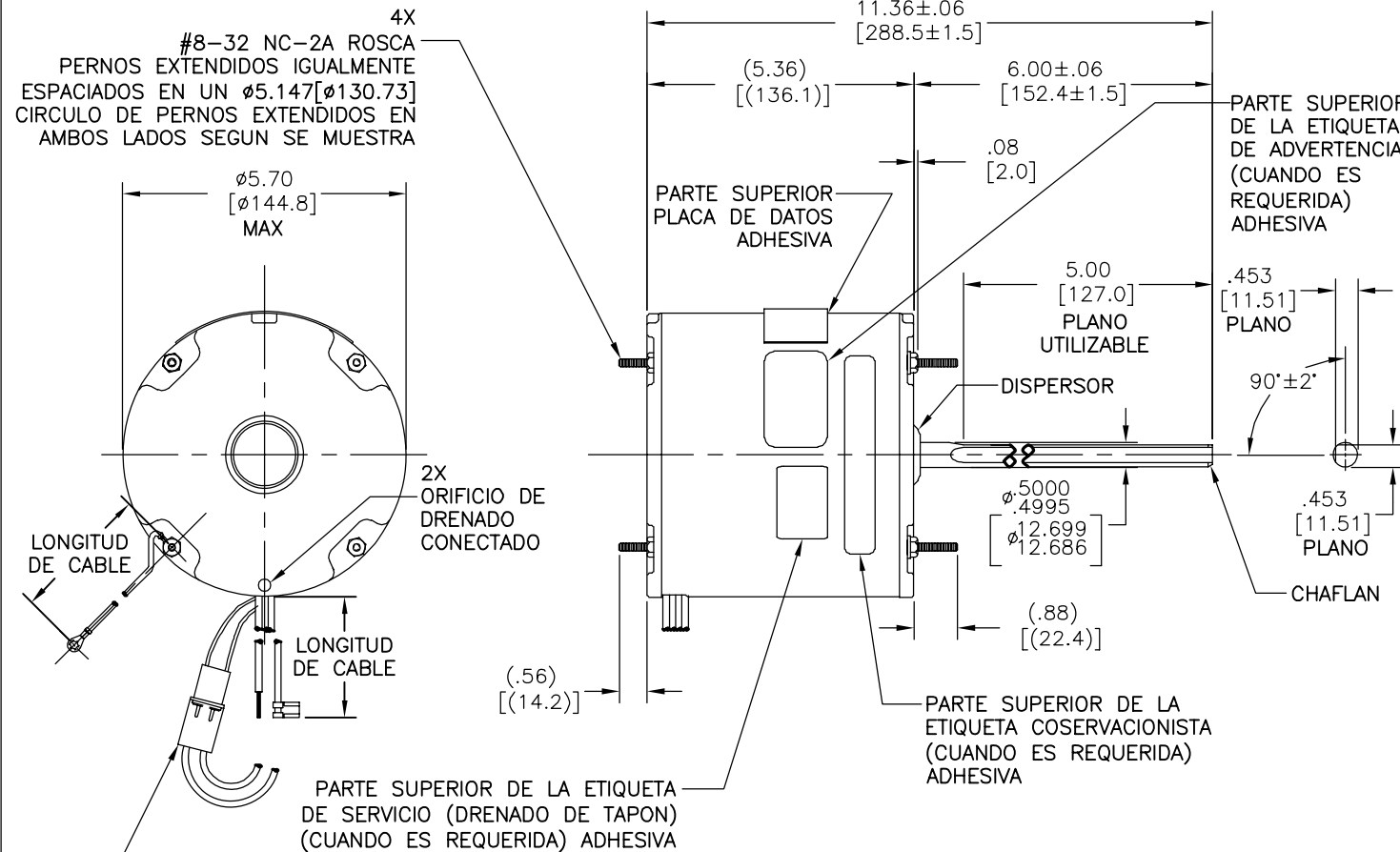
POSICION DEL MONTAJE: TODOS LOS ANGULOS

**INFORMACION ELECTRICA:**

PROTECTOR DE SOBRECARGA: REINICIO AUTOMATICO (SENSATA 7AM 036)

CABLES: CALIBRE #18, .06[1.5] ESPESOR, 125°C AISLANTE

CABLE DE TIERRA: CALIBRE #18, .03[.8] ESPESOR (VERDE) AISLANTE



CLAVIJA REVERSIBLE CONECTADO CON ROTACION ENCONTRA DE LAS MANECILLAS DEL RELOJ (NEGRO A NEGRO Y BLANCO A BLANCO) CLAVIJA REVERSIBLE A CWLE (NEGRO A BLANCO)

VERDE (TIERRA)	12.0/13.0 [305/330]	DIENTE INTERNO DENTADO #10
CAFE	26.0/28.0 [660/711]	BANDERA
CAFE/BLANCO	26.0/28.0 [660/711]	BANDERA
AMARILLO	26.0/28.0 [660/711]	.50[12.7] DESFORRE
NEGRO	26.0/28.0 [660/711]	.50[12.7] DESFORRE
ROJO	26.0/28.0 [660/711]	.50[12.7] DESFORRE
COLOR	LONGITUD	TERMINAL O LONGITUD DE DESFORRE

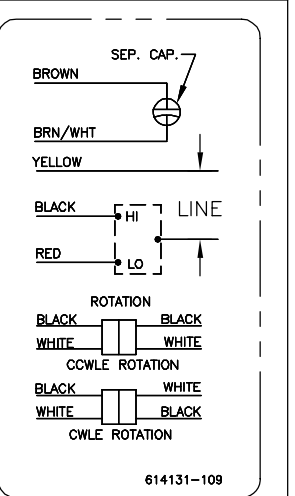
CARCASA - LOC	CERRADO
TAPA - LOC	CERRADO
CARCASA - LC	CERRADO
TAPA - LC	CERRADO

CLIENTE	DISTRIBUTION SERVICES
---------	-----------------------

**INFORMACION DE ETIQUETA:**

MODEL NO.: F48SQ4L8  
 CUST. P/N: FSE1054  
 HP: 1/2-1/3  
 ROT.: REVERSIBLE  
 RPM: 1625/2SPD  
 TYPE: UF  
 FRAME: 48Y  
 VOLTS: 208-230  
 PH: 1  
 AMPS: 3.0(4.2MAX)  
 HZ: 60  
 INS.: B  
 AMB.: 60°C  
 DUTY: AIR OVER  
 CAP.: 5 MFD/370 VAC  
 ENCL: -  
 UL LOGO  
 CSA LOGO  
 THERMALLY PROTECTED

**DIAGRAMA DE CONEXION EXTERNA**



CURVAS DE FUNCIONAMIENTO	TORSION @ 1075 RPM (25°C)	MUESTRA APROBADA	COMPONENTE UL	CSA
C24085	30.5 OZ. FT.	EX12101	#ARCHIVO PRGY2	LR43341 260-Ø-0

**CARACTERISTICAS DE GEOMETRIA Y SIMBOLOS**

- ✓ PLANICIDAD
- RECTITUD
- ∠ ANGULARIDAD
- ⊥ PERPENDICULARIDAD (A ESCUADRA)
- // PARALELISMO
- REDONDEZ (CIRCULARIDAD)
- ∅ CILINDRICIDAD
- △ PERFIL DE CUALQUIER SUPERFICIE
- ∩ PERFIL DE CUALQUIER LINEA
- ∠ VARIACION
- ⊕ POSICION REAL
- ◎ CONCENTRICIDAD
- = SIMETRIA

ASME Y14.5M 1994

REGAL-BELOIT CORPORATION (RBC) PROVEE ASISTENCIA TECNICA A NUESTROS CLIENTES EN VARIAS AREAS. DESDE QUE RBC NO RECIBE TODOS LOS DATOS EN RELACION AL USO Y A LA APLICACION DEL MOTOR, LA APLICACION ADECUADA DEL MOTOR DEBE SER DETERMINADA POR EL CLIENTE.

DIMENSIONES SIN TOLERANCIA SON DE REFERENCIA SOLAMENTE

DIBUJADO POR: P.ROJAS 03-27-2013  
 APROBADO POR: S.JIMENEZ 03-27-2013  
 TERCER ANGULO DE PROYECCION  
 CONFIDENCIAL: ESTE DIBUJO Y SU INFORMACION SON PROPIEDAD DE USO EXCLUSIVO Y CONFIDENCIAL DE REGAL-BELOIT CORPORATION. Y NO DEBERAN SER REVELADOS, DUPLICADOS, DISTRIBUIDOS O USARSE DE OTRA MANERA SIN EL CONSENTIMIENTO ESCRITO DE REGAL-BELOIT CORPORATION. -TODOS LOS DERECHOS RESERVADOS.

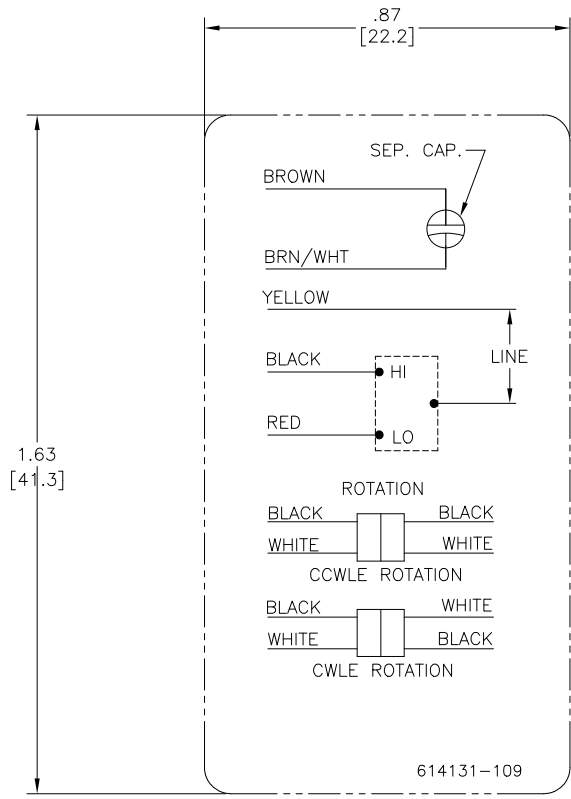
**REGAL REGAL-BELOIT CORPORATION**

DESCRIPCION: MOTOR OUTLINE

TAMAÑO: C NUMERO DE DIBUJO: FSE1054

ESCALA: NONE HOJA: 1

4 3 2 1



614131-109

NOTES:

1. FOR USE WITH 614129 NAMEPLATE BLANK
2. - - - - - INDICATES DIMENSION LIMITS
3. DIE TO BE MADE FROM MASTER SUPPLIED BY A. O. SMITH CORPORATION
4. DIE MUST PRODUCE A LEGIBLE IMPRESSION.

DRAWING REVISION C		REVISION BY J. RUPERT	DATE 08-24-2021	TOLERANCES UNLESS OTHERWISE SPECIFIED		DRAWN BY: CZ						
ECO NMR-0210151		APPROVED BY J. RUPERT	DATE 08-24-2021	DEC.	INCH	mm	ANGLE			DATE: 11-20-2009		
ECO DESCRIPTION REVISED FOR UP ISSUE				.X	±0.1	[±2.5]	±0.5°	APPROVED BY: TR	DESCRIPTION CONN DIAGRAM-NAMEPLATE			
<small>                 COPYRIGHT REGAL BELOIT AMERICA, INC. ALL RIGHTS RESERVED.                  PROPRIETARY AND CONFIDENTIAL INFORMATION - THIS DOCUMENT IS THE PROPERTY OF REGAL BELOIT AMERICA, INC. (OWNER) AND CONTAINS OWNER'S PROPRIETARY INFORMATION. ANY PERSON, CORPORATION OR OTHER ENTITY, DUPLICATING AND/OR USING, EXCEPT BY RECEIVING IT, TO AGREE THAT IT, AND/OR ANY PART OF IT, SHALL NOT BE DISCLOSED TO ANY PERSON, CORPORATION OR OTHER ENTITY, DUPLICATED, AND/OR USED, EXCEPT AS EXPRESSLY APPROVED IN WRITING IN ADVANCE BY OWNER. THIS DOCUMENT SHALL BE RETURNED TO OWNER UPON REQUEST. IT MAY BE SUBJECT TO CERTAIN RESTRICTIONS UNDER APPLICABLE EXPORT CONTROL LAWS AND REGULATIONS.             </small>				.XX	±0.02	[±0.51]		DATE: 11-20-2009*	MATERIAL	PROCESS/FINISH		
				.XXX	±0.005	[±0.127]		REFERENCE		SIZE	DWG NO	SHEET
				.XXXX	±0.0005	[±0.0127]		THIRD ANGLE PROJECTION		C	614131-109	1
				REMOVE BURRS & BREAK SHARP EDGES .003/.015 [0.076/.381] X 45°		CORNER FILLETS R.02 [5.1]		MACHINED SURFACES		125		mm