

PRODUCT INFORMATION PACKET



Model No: FSP4016

Catalog No: FSP4016

Fan and Blower Motor, 1/5 HP, 1 Ph, 60 Hz, 115 V, 1050 RPM, 3 Speed, 48 Frame, SEMI ENCLOSED



Regal and Century are trademarks of Regal Rexnord Corporation or one of its affiliated companies.
©2022 Regal Rexnord Corporation, All Rights Reserved. MC017097E





Nameplate Specifications

Output HP	1/5 Hp	Output KW	0.15 kW
Frequency	60 Hz	Voltage	115 V
Current	3.2 A	Speed	1050 rpm
Service Factor	1	Phase	1
Duty	Air Over	Insulation Class	A
Frame	48Y	Enclosure	Semi Enclosed
Thermal Protection	Automatic	Ambient Temperature	40 °C
UL	Recognized	CSA	N
CE	N	Number of Speeds	3

Technical Specifications

Electrical Type	Permanent Split Capacitor	Starting Method	Across The Line
Poles	6	Rotation	Counterclockwise Lead End
Mounting	Resilient Rings	Motor Orientation	Horizontal
Drive End Bearing	Sleeve	Opp Drive End Bearing	Sleeve
Frame Material	Rolled Steel	Shaft Type	Flat
Overall Length	9.61 in	Frame Length	3.75 in
Shaft Diameter	0.500 in	Shaft Extension	4.8 in
Outline Drawing	11760-062	Connection Drawing	614131-086

This is an uncontrolled document once printed or downloaded and is subject to change without notice. Date Created:11/28/2022

4

3

2

1

GENERAL INFORMATION:

SHAFT RUNOUT: .001[.03] T.I.R PER INCH LENGTH OF EXTENSION

END PLAY: .010[.25] TO .063[1.60]

BEARINGS: SLEEVE

MOUNTING POSITION: HORIZONTAL

ELECTRICAL DATA:

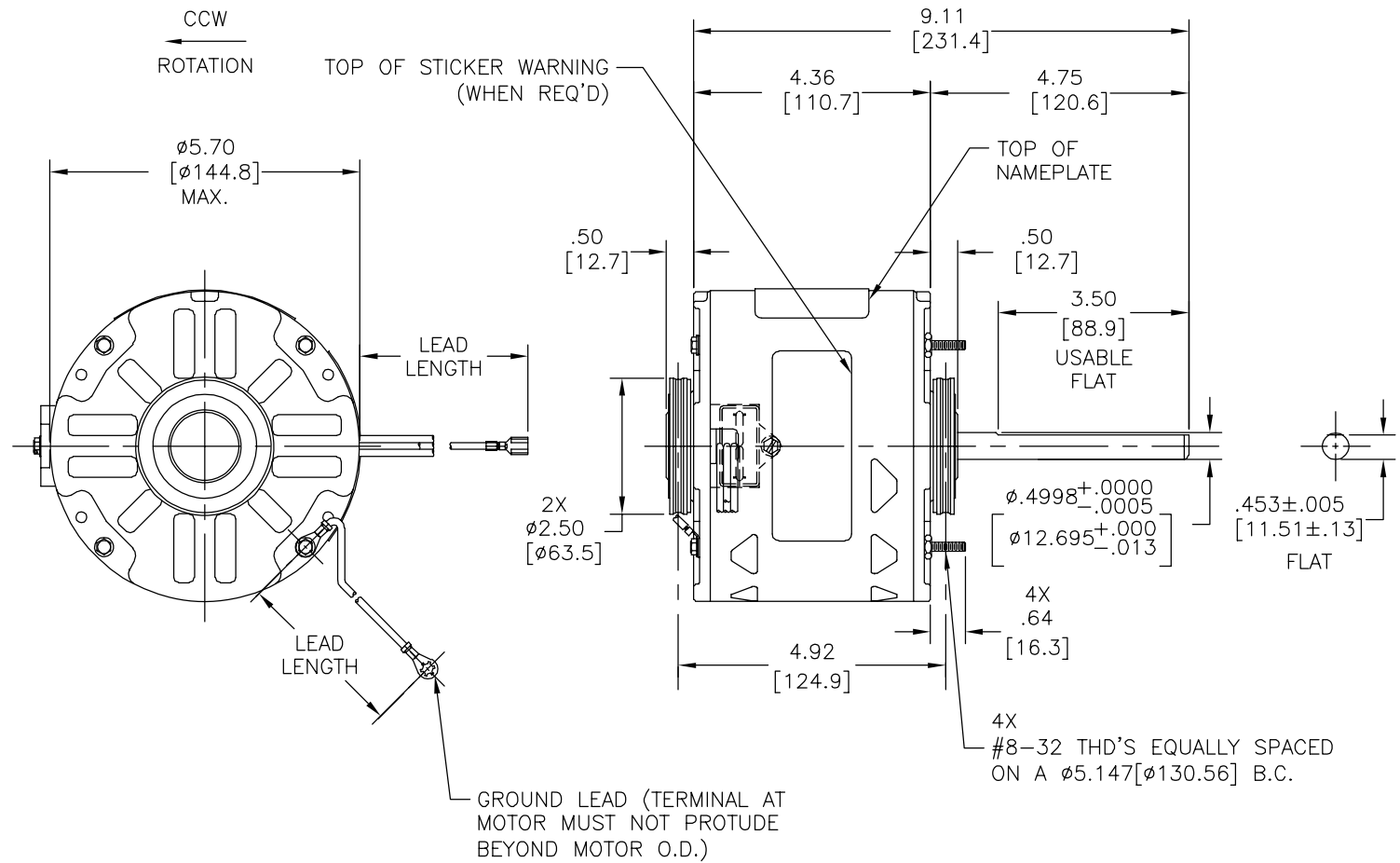
OVERLOAD PROTECTOR: AUTOMATIC RESET (T.I. 7AM 032)

LINE LEADS: NO. 18 GA., .06[1.5] THK. 125°C INSUL.

CAPACITOR LEADS: NO. 18 GA., .03[.8] THK. 125°C INSUL.

GROUND LEAD: NO. 18 GA., .03[.8] THK. (GREEN) INSUL.

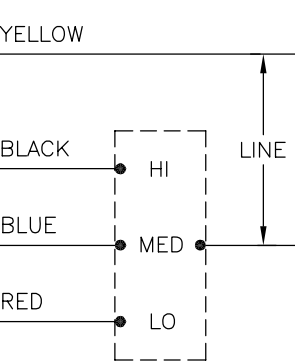
REV	ECO	REV BY	DATE	APPD	DATE
C	0025550	A. ARREOLA	04-27-2012	D. BALDERRAMA	04-27-2012



NAMEPLATE DATA:

EXTERNAL CONNECTION DIAGRAM

MODEL NO.: F48H92A01
 CUST. P/N: FSP4016
 HP: 1/5
 ROT.: CCWLE
 RPM: 1050/3 SPD.
 TYPE: UF
 FRAME: 48Y
 VOLTS: 115
 PH: 1
 AMPS: 3.2 (4.0 MAX.)
 HZ: 60
 INS.: A
 AMB.: 40° C
 DUTY: AIR OVER
 CAP.: 5 MFD/250 V
 ENCL: SEMI-ENCL.
 UL LOGO
 THERMALLY PROTECTED



614131-086

GREEN (GRD)	9/11 [229/279]	#10 EYELET
BROWN	CONNECTED TO CAPACITOR	.19[4.8] FEMALE SPADE
BROWN	CONNECTED TO CAPACITOR	.19[4.8] FEMALE SPADE
YELLOW	26/28 [660/711]	.25[6.4] FEMALE SPADE
BLACK	26/28 [660/711]	.25[6.4] FEMALE SPADE
BLUE	26/28 [660/711]	.25[6.4] FEMALE SPADE
RED	26/28 [660/711]	.25[6.4] FEMALE SPADE
COLOR	LENGTH	TERMINAL OR STRIP LENGTH

MAIN FRAME - OLE	SEMI-ENCLOSED
END FRAME - OLE	OPEN
MAIN FRAME - LE	SEMI-ENCLOSED
END FRAME - LE	OPEN

CUSTOMER	DISTRIBUTION SERVICES
----------	-----------------------

PERFORMANCE CURVE NO.	TORQUE @1050 RPM (25°C)	APPROVED SAMPLE	UL COMPONENT	CSA
C31446	16.3 OZ. FT.	97AC039A	E46412 PRGY2	-----

GEOMETRIC CHARACTERISTICS & SYMBOLS
 □ FLATNESS
 — STRAIGHTNESS
 ∠ ANGULARITY
 ⊥ PERPENDICULARITY (SQUARENESS)
 ∥ PARALLELISM
 ○ ROUNDNESS (CIRCULARITY)
 ∅ CYLINDRICITY
 △ PROFILE OF ANY SURFACE
 ∩ PROFILE OF ANY LINE
 ↗ RUNOUT
 ⊕ TRUE POSITION
 ⊙ CONCENTRICITY
 = SYMMETRY
 ASME Y14.5M 1994

REGAL-BELOIT CORPORATION (RBC) PROVIDES TECHNICAL ASSISTANCE TO OUR CUSTOMERS IN SEVERAL AREAS. SINCE RBC DOES NOT RECEIVE ALL DATA CONCERNING THE USE AND APPLICATION OF THE MOTOR, THE SUITABILITY OF THE MOTOR FOR THE APPLICATION MUST BE DETERMINED BY THE CUSTOMER.
 DIMENSIONS WITHOUT TOLERANCES ARE FOR REFERENCE ONLY.

DR BY: J. RUPERT 03-21-1997
 APPD: T. RILEY 03-24-1997
 THIRD ANGLE PROJECTION
 EDS DATE 11-11-2011
 FORMAT REV G
 CONFIDENTIAL: THIS DRAWING AND ITS INFORMATION ARE THE EXCLUSIVE AND CONFIDENTIAL PROPERTY OF REGAL-BELOIT CORPORATION AND ARE NOT TO BE DISCLOSED, DUPLICATED, DISTRIBUTED OR OTHERWISE USED WITHOUT THE WRITTEN CONSENT OF REGAL-BELOIT CORPORATION. -ALL RIGHTS RESERVED.

REGAL-BELOIT CORPORATION

DESCRIPTION: MODEL-RFHP-48FR OUTLINE

SIZE: C DWG NO: 11760-062

SCALE: NONE SHEET: 1

4

3

2

1

4

3

2

1

INFORMACION GENERAL:

OSCILACION DE FLECHA: .001[.03] L.T.I. POR LONGITUD DE EXTENSION

JUEGO AXIAL: .010[.25] A .063[1.60]

BALEROS: FUNDA

POSICION DEL MONTAJE: HORIZONTAL

INFORMACION ELECTRICA:

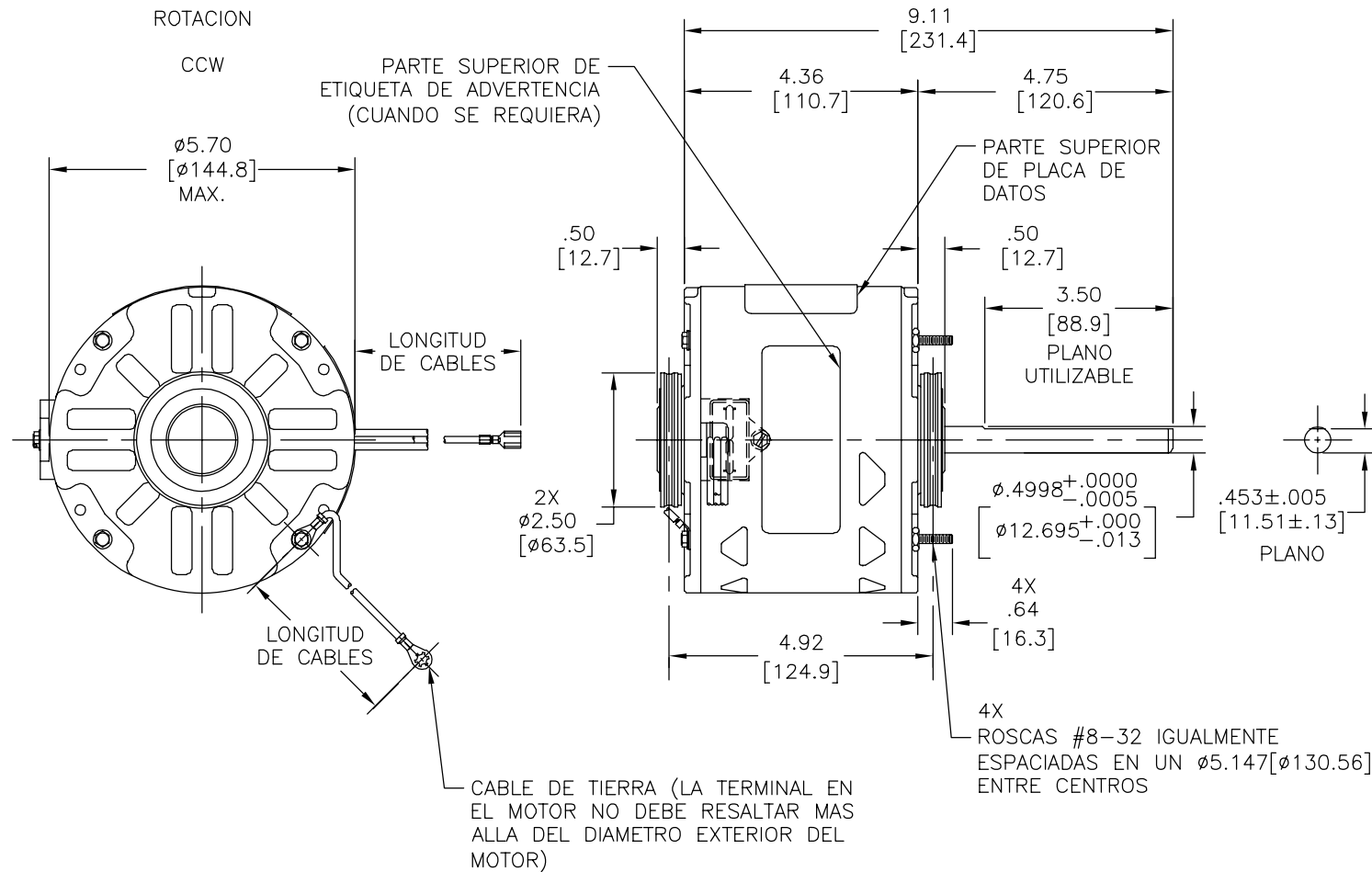
PROTECTOR DE SOBRECARGA: REINICIO AUTOMATICO (T.I. 7AM 032)

LINEA DE CABLES: CALIBRE 18 AISLANTE .06[1.5] GROSOR 125°C

CABLES DE CAPACITOR: CALIBRE 18 AISLANTE .03[.8] GROSOR 125°C

CABLE DE TIERRA: CALIBRE 18 AISLANTE .03[.8] GROSOR (VERDE)

REVISION:	ECO	REVISADO POR:	FECHA:	APROBADO POR:	FECHA:
C	0025550	A. ARREOLA	04-27-2012	D. BALDERRAMA	04-27-2012



VERDE (TIERRA)	9/11 [229/279]	OJAL #10
CAFE	CONECTADO AL CAPACITOR	.19[4.8] TERMINAL HEMBRA
CAFE	CONECTADO AL CAPACITOR	.19[4.8] TERMINAL HEMBRA
AMARILLO	26/28 [660/711]	.25[6.4] TERMINAL HEMBRA
NEGRO	26/28 [660/711]	.25[6.4] TERMINAL HEMBRA
AZUL	26/28 [660/711]	.25[6.4] TERMINAL HEMBRA
ROJO	26/28 [660/711]	.25[6.4] TERMINAL HEMBRA
COLOR	LONGITUD	TERMINAL O LONGITUD DE DESFORRE

CARCASA - LOC	SEMI CERRADO
TAPA - LOC	ABIERTO
CARCASA - LC	SEMI CERRADO
TAPA - LC	ABIERTO

CLIENTE	DISTRIBUTION SERVICES
---------	-----------------------

INFORMACION DE ETIQUETA:	DIAGRAMA DE CONEXION EXTERNA
MODEL NO.: F48H92A01 CUST. P/N: FSP4016 HP: 1/5 ROT.: CCWLE RPM: 1050/3 SPD. TYPE: UF FRAME: 48Y VOLTS: 115 PH: 1 AMPS: 3.2 (4.0 MAX.) HZ: 60 INS.: A AMB.: 40° C DUTY: AIR OVER CAP.: 5 MFD/250 V ENCL: SEMI-ENCL. UL LOGO THERMALLY PROTECTED	YELLOW

CURVAS DE FUNCIONAMIENTO	TORSION @1050 RPM (25°C)	MUESTRA APROBADA	COMPONENTE UL	CSA
C31446	16.3 OZ. FT.	97AC039A	#ARCHIVO PRGY2	CLASE #

CARACTERISTICAS DE GEOMETRIA Y SIMBOLOS
 □ PLANICIDAD
 — RECTITUD
 < ANGULARIDAD
 ⊥ PERPENDICULARIDAD (A ESCUADRA)
 // PARALELISMO
 ○ REDONDEZ (CIRCULARIDAD)
 ∅ CILINDRICIDAD
 △ PERFIL DE CUALQUIER SUPERFICIE
 ∇ PERFIL DE CUALQUIER LINEA
 / VARIACION
 ⊕ POSICION REAL
 ⊙ CONCENTRICIDAD
 = SIMETRIA
 ASME Y14.5M 1994

REGAL-BELOIT CORPORATION (RBC) PROVEE ASISTENCIA TECNICA A NUESTROS CLIENTES EN VARIAS AREAS. DESDE QUE RBC NO RECIBE TODOS LOS DATOS EN RELACION AL USO Y A LA APLICACION DEL MOTOR, LA APLICACION ADECUADA DEL MOTOR DEBE SER DETERMINADA POR EL CLIENTE.

DIMENSIONES SIN TOLERANCIA SON DE REFERENCIA SOLAMENTE

DIBUJADO POR: J. RUPERT 03-21-1997
 APROBADO POR: T. RILEY 03-24-1997
 TERCER ANGULO DE PROYECCION
 FECHA EDS: 11-11-2011
 REV. FORMATO: G
 CONFIDENCIAL: ESTE DIBUJO Y SU INFORMACION SON PROPIEDAD DE USO EXCLUSIVO Y CONFIDENCIAL DE REGAL-BELOIT CORPORATION. Y NO DEBERAN SER REVELADOS, DUPLICADOS, DISTRIBUIDOS O USARSE DE OTRA MANERA SIN EL CONSENTIMIENTO ESCRITO DE REGAL-BELOIT CORPORATION. -TODOS LOS DERECHOS RESERVADOS.

REGAL-BELOIT CORPORATION
 DESCRIPCION: MODEL-RFHP-48FR OUTLINE
 TAMAÑO: C NUMERO DE DIBUJO: 11760-062
 ESCALA: NONE HOJA: 1

4

3

2

1

4 3 2 1

版本	ECO	编制	日期	批准	日期
C	0025550	A. ARREOLA	04-27-2012	D. BALDERRAMA	04-27-2012

总技术要求:

轴跳动:

端部窜动量

轴承:

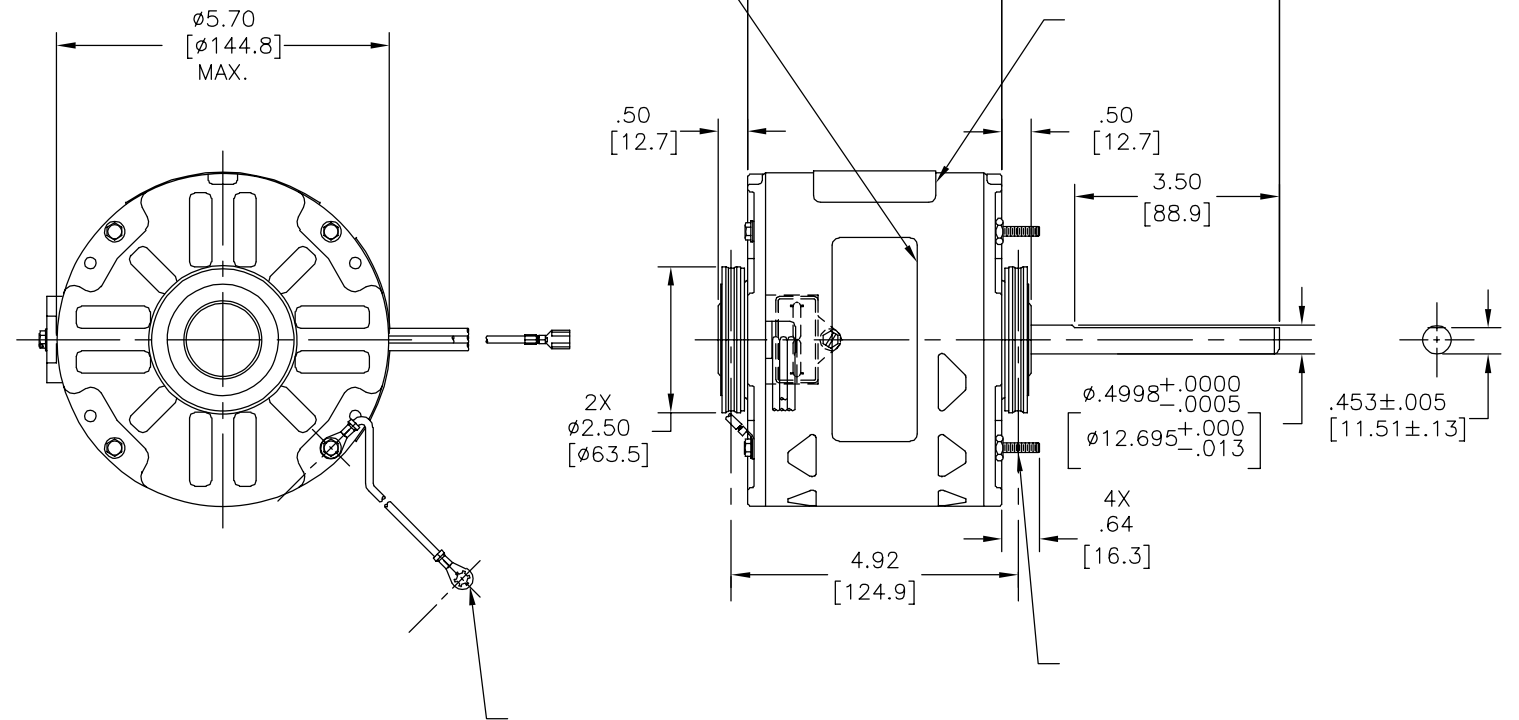
安装位置:

电气数据:

过载保护:

引线:

接地线:



铭牌数据	外部数据线
MODEL NO.: F48H92A01 CUST. P/N: FSP4016 HP: 1/5 ROT.: CCWLE RPM: 1050/3 SPD. TYPE: UF FRAME: 48Y VOLTS: 115 PH: 1 AMPS: 3.2 (4.0 MAX.) HZ: 60 INS.: A AMB.: 40° C DUTY: AIR OVER CAP.: 5 MFD/250 V ENCL: SEMI-ENCL. UL LOGO THERMALLY PROTECTED	YELLOW

性能曲线编号	转矩在 @ RPM (25° C)	批准样品	UL部件	CSA
C31446	16.3 OZ. FT.	97AC039A	文件号 指南	文件号 指南
			E46412 PRGY2	-----

	9/11	
	[229/279]	
	26/28	
	[660/711]	
	26/28	
	[660/711]	
	26/28	
	[660/711]	
	26/28	
	[660/711]	
颜色	长度	端子或剥线长度

无引线端机壳	
无引线端端盖	
有引线端机壳	
有引线端端盖	

用户	DISTRIBUTION SERVICES
----	-----------------------

形位公差

- 平面度
- 直线度
- ∠ 倾斜度
- ⊥ 垂直度
- // 平行度
- 圆度
- ⊘ 圆柱度
- △ 面轮廓度
- ∇ 线轮廓度
- ↗ 圆跳动
- ⊕ 位置度
- ⊙ 同轴度
- ≡ 对称度

ASME Y14.5M 1994

REGAL-BELOIT CORPORATION (RBC) 在个别领域为客户提供技术支持。鉴于RBC未收到任何涉及电机使用和应用环境的数据，电机的适用性由客户自己决定。

未注公差尺寸仅供参考。

绘图: J. RUPERT 03-21-1997

批准: T. RILEY 03-24-1997

第三角投影

机密: 本图纸及相关信息所有权归REGAL-BELOIT CORPORATION。未经REGAL-BELOIT CORPORATION书面授权，不得泄露、复制、传播或作其他用途。一版权所有

名称: MODEL-RFHP-48FR OUTLINE

图幅: C 图号: 11760-062

比例: NONE 页号: 1

4 3 2 1