

# PRODUCT INFORMATION PACKET



Model No: FSP4026  
Catalog No: FSP4026  
1/4 HP Fan & Blower Motor, 1000 RPM, 3 Speed, 115 Volts, 48 Frame, OAO  
Fan and Blower Motors



Regal and Century are trademarks of Regal Rexnord Corporation or one of its affiliated companies.  
©2021 Regal Rexnord Corporation, All Rights Reserved. MC017097E





**Nameplate Specifications**

Output HP	<b>1/4 Hp</b>	Output KW	<b>0.19 kW</b>
Frequency	<b>60 Hz</b>	Voltage	<b>115 V</b>
Current	<b>3.3 A</b>	Speed	<b>1000 rpm</b>
Service Factor	<b>1</b>	Phase	<b>1</b>
Duty	<b>Air Over</b>	Insulation Class	<b>A</b>
Frame	<b>48Y</b>	Enclosure	<b>Open Enclosed</b>
Thermal Protection	<b>Automatic</b>	Ambient Temperature	<b>40 °C</b>
UL	<b>Recognized</b>	CSA	<b>N</b>
CE	<b>N</b>	Number of Speeds	<b>3</b>

**Technical Specifications**

Electrical Type	<b>Permanent Split Capacitor</b>	Starting Method	<b>Across The Line</b>
Poles	<b>6</b>	Rotation	<b>Reversible</b>
Mounting	<b>Resilient Rings</b>	Motor Orientation	<b>Horizontal</b>
Drive End Bearing	<b>Sleeve</b>	Opp Drive End Bearing	<b>Sleeve</b>
Frame Material	<b>Rolled Steel</b>	Shaft Type	<b>Flat</b>
Overall Length	<b>10.99 in</b>	Frame Length	<b>4.38 in</b>
Shaft Diameter	<b>0.500 in</b>	Shaft Extension	<b>5.5 in</b>
Connection Drawing	<b>614131-239</b>	Outline Drawing	<b>FSP4026-S01</b>

This is an uncontrolled document once printed or downloaded and is subject to change without notice. Date Created:10/12/2021

GENERAL INFORMATION:

SHAFT RUNOUT: .001[.025] T.I.R. PER INCH LENGTH OF EXTENSION

END PLAY: .010 TO .063 [.254 TO 1.600]

BEARINGS: SLEEVE

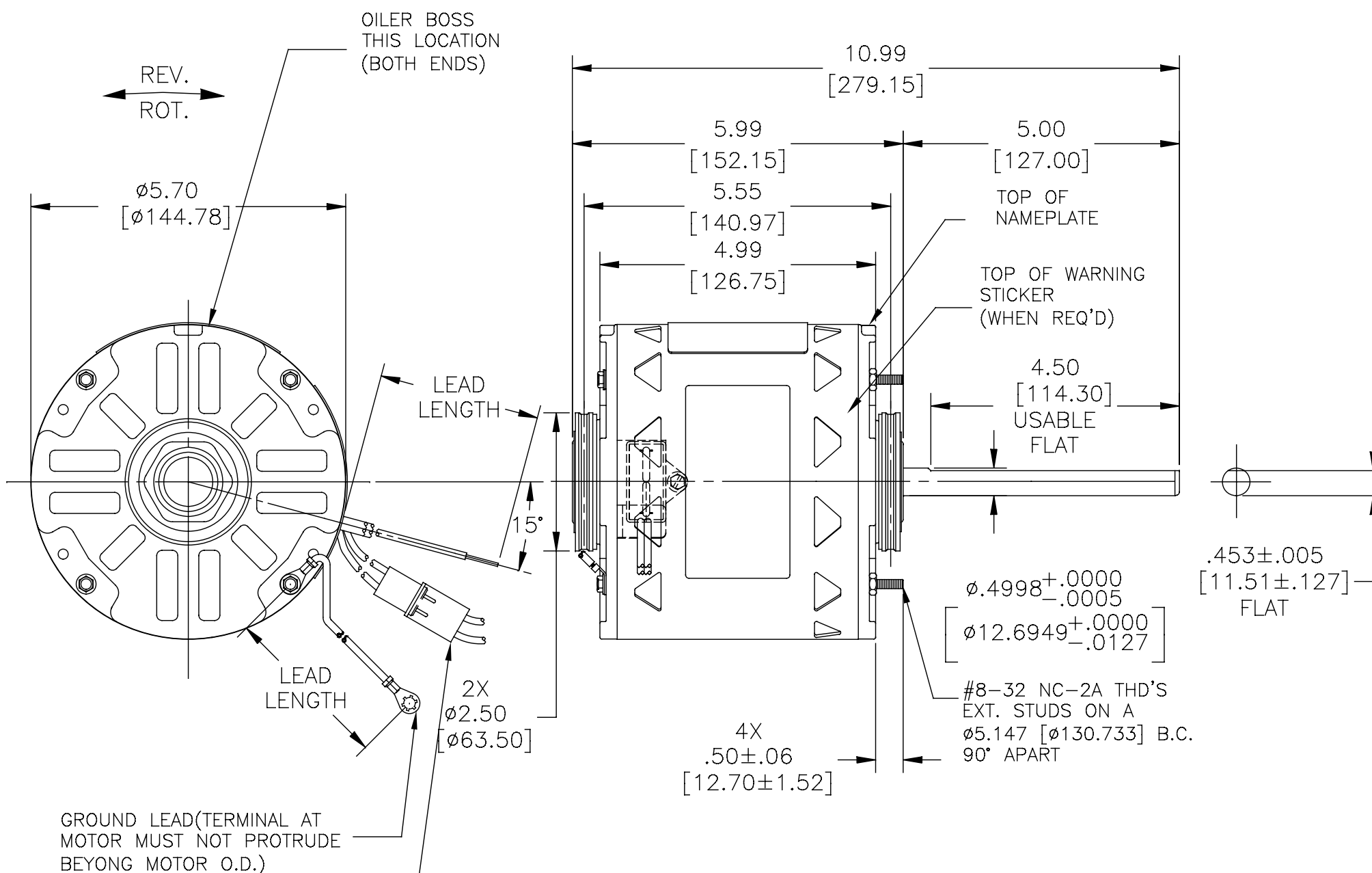
MOUNTING POSITION: HORIZONTAL

ELECTRICAL DATA:

OVERLOAD PROTECTOR: AUTOMATIC RESET (T.I. 7AM 032)

LINE LEADS: NO. 18 GA., .03[.76] THK. CROSS-LINKED POLYETHYLENE 125°C INSUL.

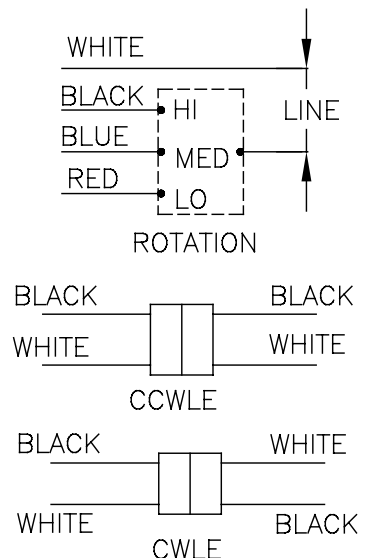
GROUND LEADS: NO. 18 GA., .03[.76] THK. (GREEN) INSUL



NAMEPLATE DATA:

MODEL NO.: F48G33A01  
 CUST. P/N: FSP4026  
 HP: 1/4  
 ROT.: REV.  
 RPM: 1000/3 SPD  
 TYPE: UF  
 FRAME: 48Y  
 VOLTS: 115  
 PH: 1  
 AMPS: 3.3(3.6 MAX)  
 HZ: 60  
 INS.: A  
 AMB.: 40°C  
 DUTY: AIR OVER  
 CODE: -  
 CAP.: 5 MFD/250 V  
 ENCL: OPEN  
 UL LOGO  
 THERMALLY PROTECTED

EXTERNAL CONNECTION DIAGRAM



614131-239

GROUND LEAD (TERMINAL AT MOTOR MUST NOT PROTRUDE BEYOND MOTOR O.D.)

REVERSING PLUG (MOTOR TO BE SHIPPED CONNECTED FOR CCWLE ROTATION).

GREEN (GRD)	9.0/11.0 [228.6/279.4]	#10 EYELET
BLACK/WHITE	4.0/6.0 [101.6/152.4]	REVERSING PLUG
BROWN	CONNECTED TO CAPACITOR	.19[4.82] FEMALE SPADE
BROWN/WHITE	CONNECTED TO CAPACITOR	.19[4.82] FEMALE SPADE
WHITE	29.0/32.0 [736.6/812.8]	.60[15.24] SKIN
BLACK	29.0/32.0 [736.6/812.8]	.60[15.24] SKIN
BLUE	29.0/32.0 [736.6/812.8]	.60[15.24] SKIN
RED	29.0/32.0 [736.6/812.8]	.60[15.24] SKIN
COLOR	LENGTH	TERMINAL OR STRIP LENGTH

MAIN FRAME - OLE	OPEN
END FRAME - OLE	OPEN
MAIN FRAME - LE	OPEN
END FRAME - LE	OPEN
ENCLOSURE	

PERFORMANCE CURVE NO.	TORQUE @1000 RPM (25°C)	APPROVED SAMPLE	UL COMPONENT		CSA	
			FILE #	CCN #	FILE #	CLASS #
C31300	20.7 OZ. FT.	95AC215A	E46412	PRG2		

DRAWING REVISION	REVISION BY	DATE
F	J.CHAI	10-28-2015
ECO	APPROVED BY	DATE
ECO-0087717	-	10-28-2015
ECO DESCRIPTION		
SEE ECO		

COPYRIGHT REGAL BELOIT AMERICA, INC. ALL RIGHTS RESERVED. PROPRIETARY AND CONFIDENTIAL INFORMATION - THIS DOCUMENT IS THE PROPERTY OF REGAL BELOIT AMERICA, INC. ("OWNER") AND CONTAINS OWNER'S PROPRIETARY INFORMATION. ANY PERSON, CORPORATION OR OTHER FIRM RECEIVING IT IS DEEMED, BY RECEIVING IT, TO AGREE THAT IT, AND/OR ANY PART OF IT, SHALL NOT BE DISCLOSED TO ANY PERSON, CORPORATION OR OTHER ENTITY, DUPLICATED, AND/OR USED, EXCEPT AS EXPRESSLY APPROVED IN WRITING IN ADVANCE BY OWNER. THIS DOCUMENT SHALL BE RETURNED TO OWNER UPON REQUEST. IT MAY BE SUBJECT TO CERTAIN RESTRICTIONS UNDER APPLICABLE EXPORT CONTROL LAWS AND REGULATIONS.

DRAWN BY:	
DATE:	
APPROVED BY:	
DATE:	
PROCESS/FINISH	
THIRD ANGLE PROJECTION	

<b>REGAL™ Regal Beloit America, Inc.</b>	
DESCRIPTION	MODEL-RFHP-48FR OUTLINE
MATERIAL	
SIZE	DWG NO FSP4026
SHEET	1

CUSTOMER DISTRIBUTION SERVICES

1