

# PRODUCT INFORMATION PACKET



Model No: H1045LES

Catalog No: H1045LES

General Purpose Motor, 2 HP, 3 Ph, 60 Hz, 230/460 V, 1800 RPM, 56H Frame, DP



Regal and Century are trademarks of Regal Rexnord Corporation or one of its affiliated companies.

©2022 Regal Rexnord Corporation, All Rights Reserved. MC017097E





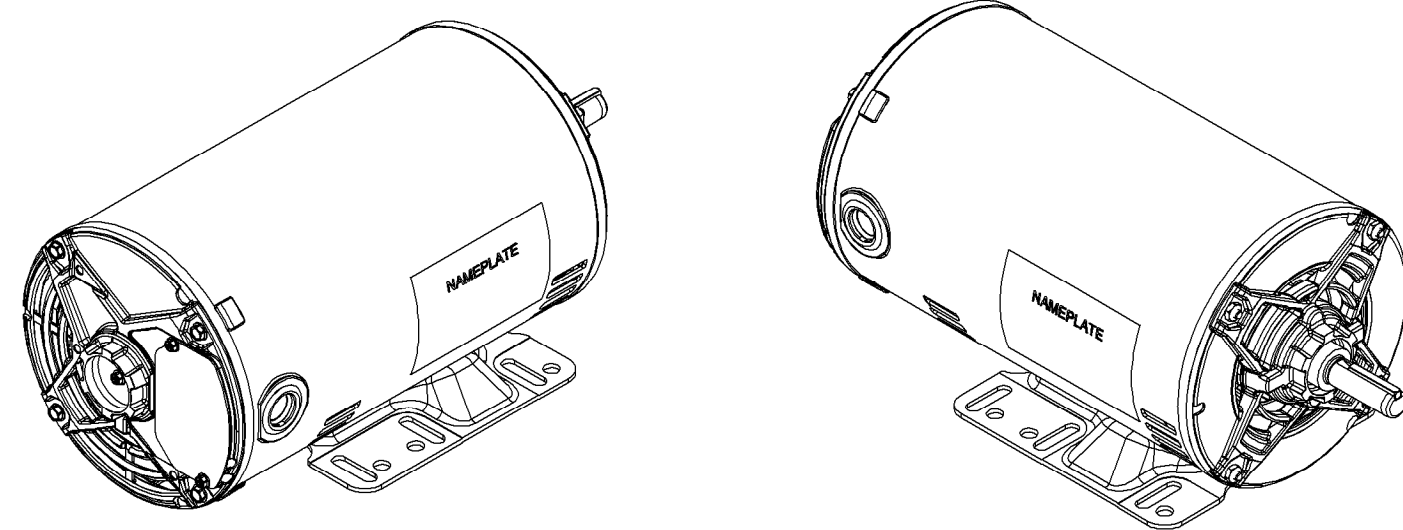
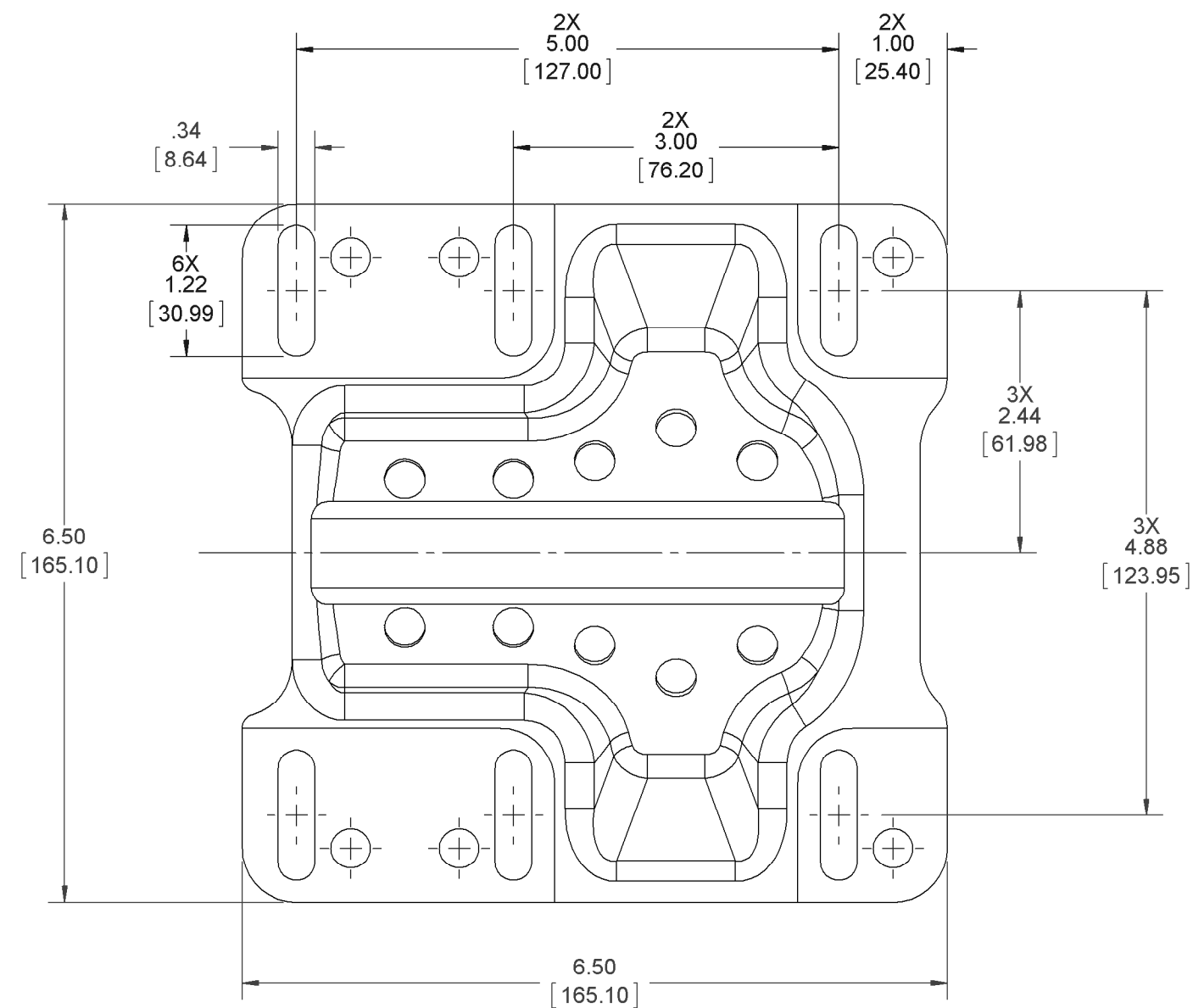
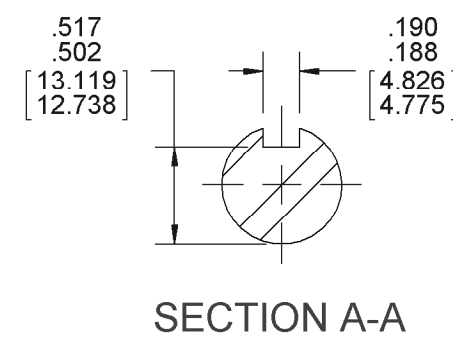
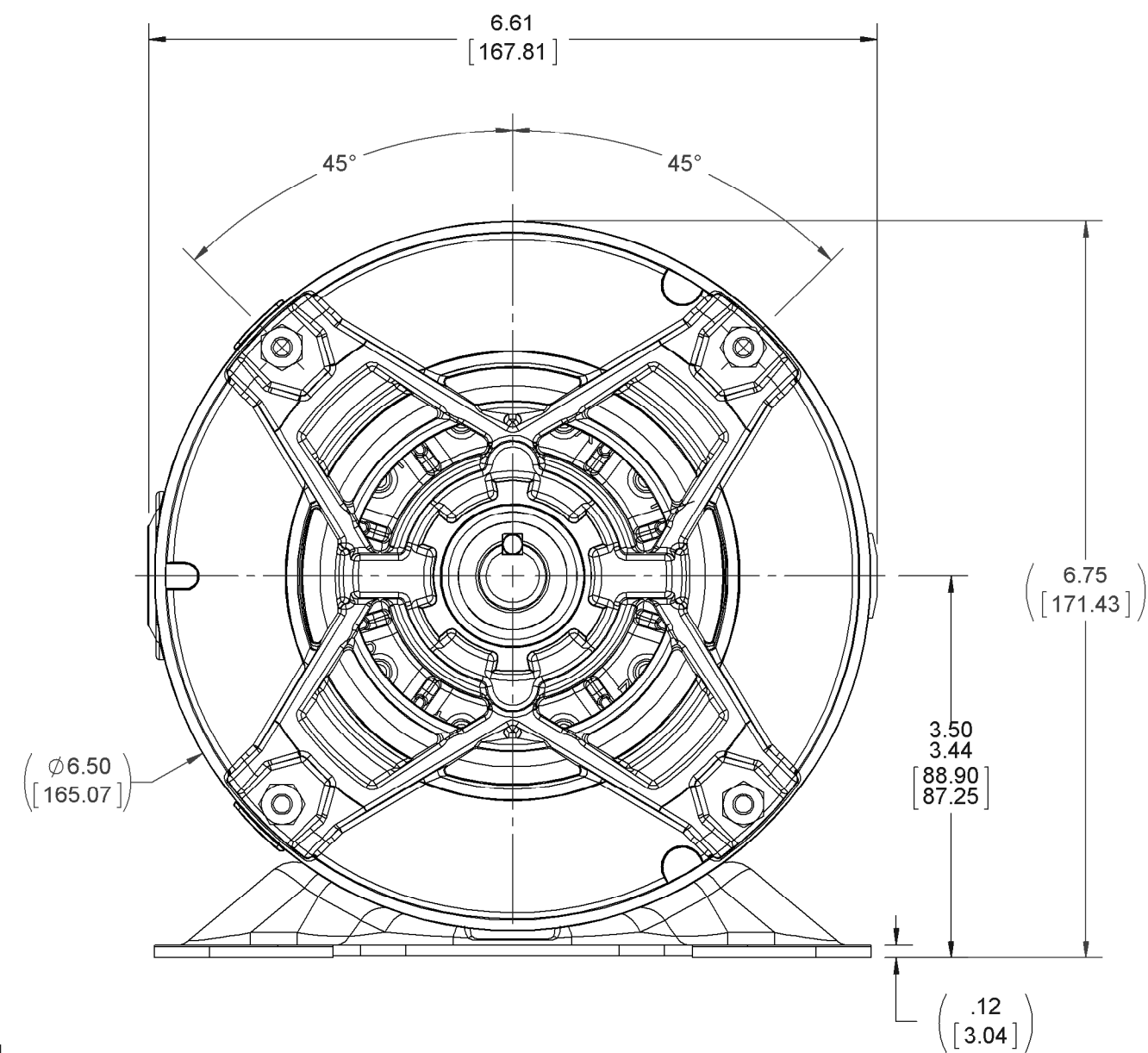
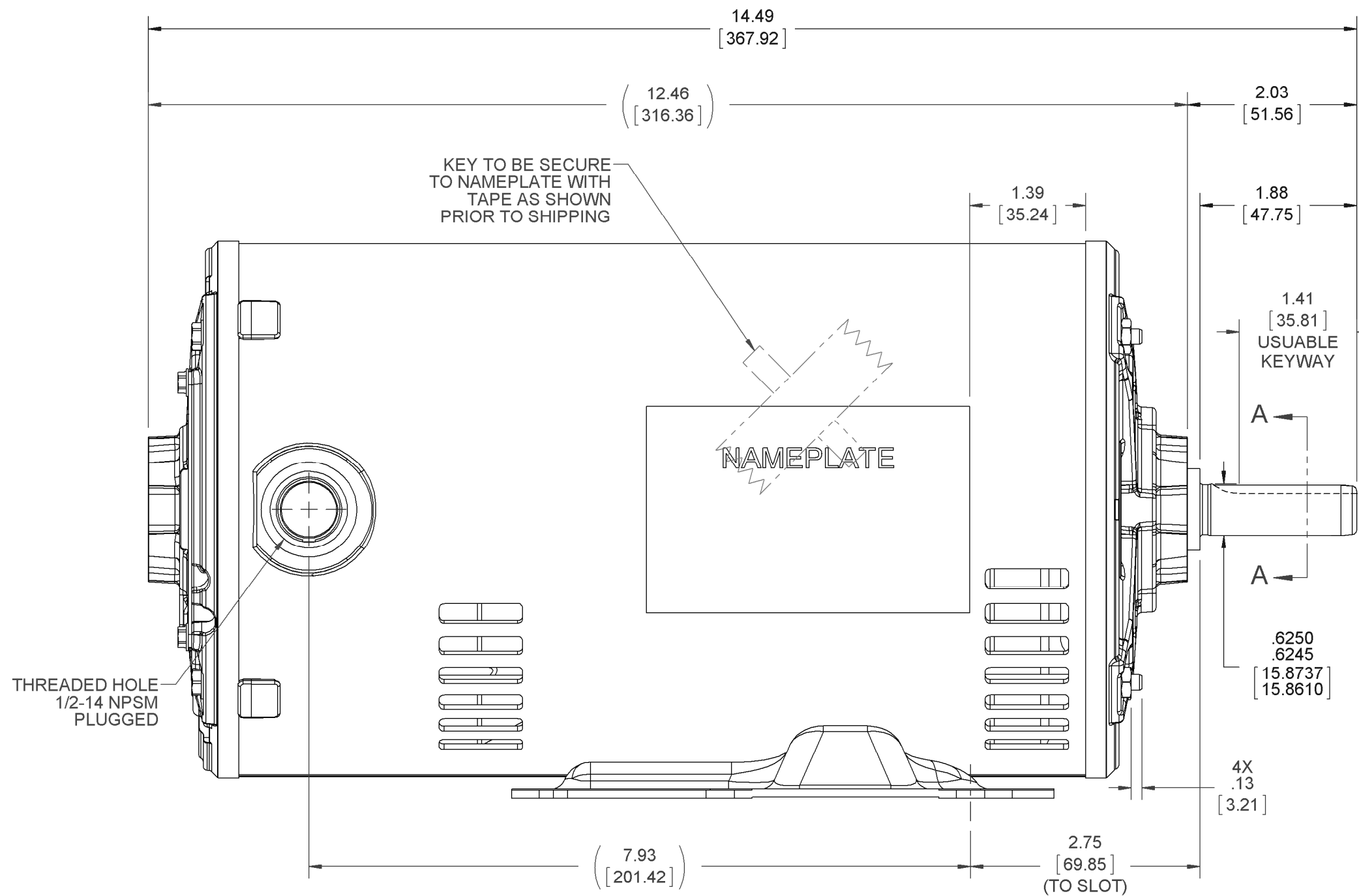
### Nameplate Specifications

Output HP	<b>2 Hp</b>	Output KW	<b>1.5 kW</b>
Frequency	<b>60 Hz</b>	Voltage	<b>230/460 V</b>
Current	<b>6/3 A</b>	Speed	<b>1725 rpm</b>
Service Factor	<b>1.2</b>	Phase	<b>3</b>
Duty	<b>Continuous</b>	Insulation Class	<b>B</b>
Frame	<b>56H</b>	Enclosure	<b>Drip Proof</b>
Thermal Protection	<b>Thermally Protected</b>	Ambient Temperature	<b>40 °C</b>
UL	<b>Recognized</b>	CSA	<b>Y</b>
CE	<b>Y</b>	Number of Speeds	<b>1</b>

### Technical Specifications

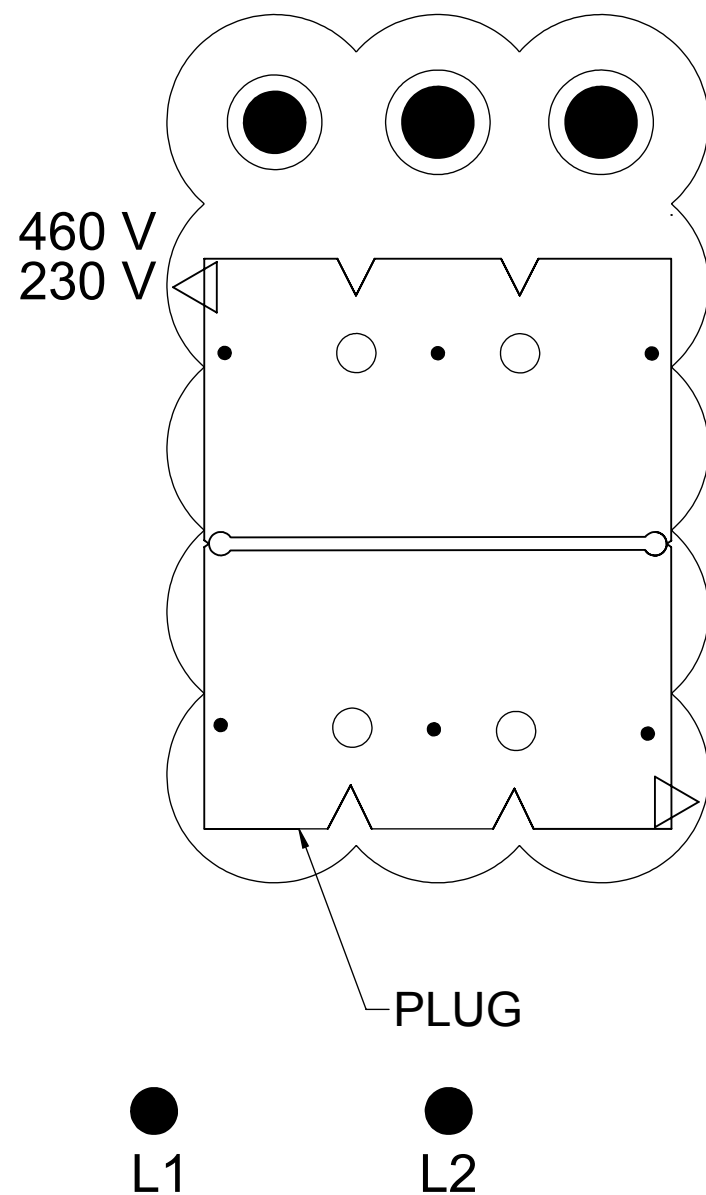
Electrical Type	<b>Three Phase</b>	Starting Method	<b>Across The Line</b>
Poles	<b>4</b>	Rotation	<b>Reversible</b>
Mounting	<b>Rigid Base</b>	Drive End Bearing	<b>Ball</b>
Opp Drive End Bearing	<b>Ball</b>	Frame Material	<b>Rolled Steel</b>
Shaft Type	<b>NEMA 56</b>	Overall Length	<b>14.49 in</b>
Frame Length	<b>10.24 in</b>	Shaft Diameter	<b>0.625 in</b>
Shaft Extension	<b>1.88 in</b>		
Outline Drawing	<b>OL56100169-001</b>	Connection Drawing	<b>DD10027-001</b>

This is an uncontrolled document once printed or downloaded and is subject to change without notice. Date Created:11/28/2022

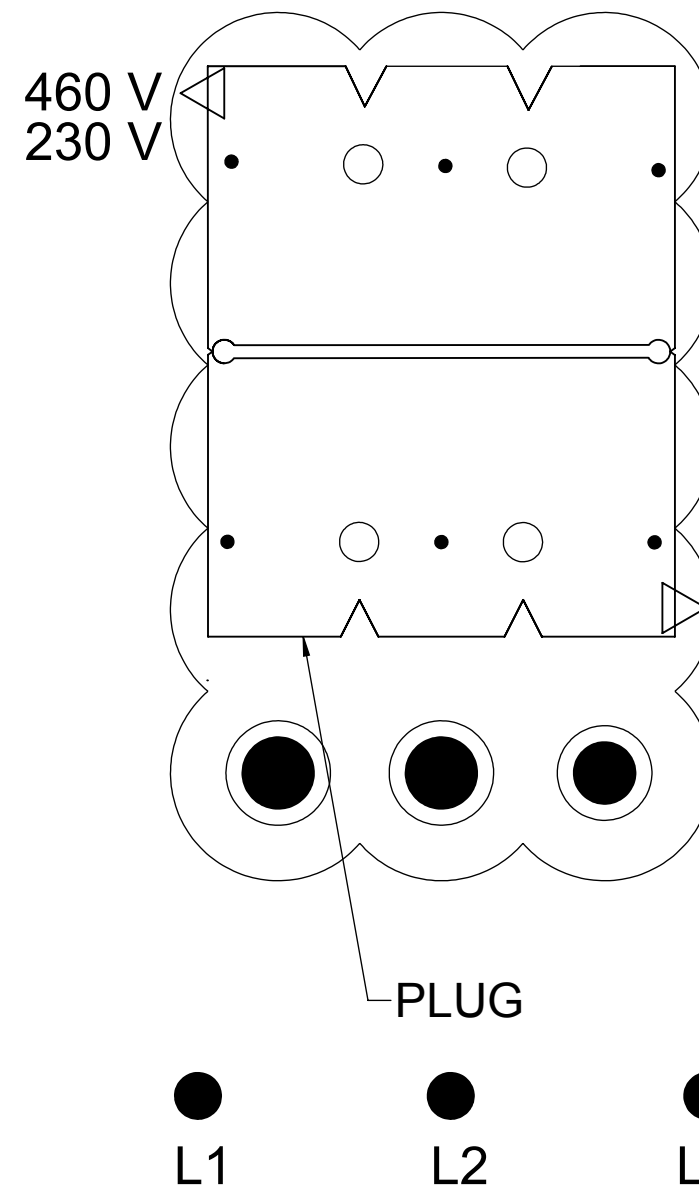


DRAWING REVISION A	REVISION BY D. VALENCIANO	DATE 10-20-2016	TOLERANCES UNLESS OTHERWISE SPECIFIED: DEC. INCH mm ANGLE .X ±0.1 [±2.5] .XX ±0.02 [±0.51] .XXX ±0.005 [±0.127] .XXXX ±0.0005 [±0.0127] REMOVE BURRS & BREAK SHARP EDGES: .003/.015 [0.076/.381] X 45° CORNER FILLETS: R.02 [51] MACHINED SURFACES: 125 √ mm 3.2 INCH √ mm 3.2 mm SHOWN IN [BRACKETS]	DRAWN BY D. VALENCIANO	Regal Beloit America, Inc. DESCRIPTION <b>OUTLINE</b> 56FR, ODP, 3-PHASE, RIGID
ECO-0111362	APPROVED BY	DATE	DATE 10-20-2016	APPROVED BY J. ORTEGA	
ECO DESCRIPTION NEW MODEL RELEASE			DATE 10-20-2016	REFERENCE	MATERIAL
<small>COPYRIGHT REGAL BELOIT AMERICA, INC. ALL RIGHTS RESERVED. PROPRIETARY AND CONFIDENTIAL INFORMATION - THIS DOCUMENT IS THE PROPERTY OF REGAL BELOIT AMERICA, INC. (OWNER) AND CONTAINS OWNER'S PROPRIETARY INFORMATION. ANY PERSON, CORPORATION OR OTHER FIRM RECEIVING IT IS DEEMED, BY RECEIVING IT, TO AGREE THAT IT, AND/OR ANY PART OF IT, SHALL NOT BE DISCLOSED TO ANY PERSON, CORPORATION OR OTHER ENTITY, DUPLICATED, AND/OR USED, EXCEPT AS EXPRESSLY APPROVED IN WRITING IN ADVANCE BY OWNER. THIS DOCUMENT SHALL BE RETURNED TO OWNER UPON REQUEST. IT MAY BE SUBJECT TO CERTAIN RESTRICTIONS UNDER APPLICABLE EXPORT CONTROL LAWS AND REGULATIONS.</small>			THIRD ANGLE PROJECTION	SIZE C	PROCESS/FINISH
				DRAWING NUMBER OL56100169-001	SHEET 1 OF 1

### LOW VOLTAGE



### HIGH VOLTAGE



#### NOTES:

#### TO CHANGE VOLTAGE:

1. POWER MUST NOT BE CONNECTED.
2. PULL SELECTOR PLUG OUT.
3. SHIFT PLUG TO ALIGN ARROW TO 460V FOR HIGH VOLTAGE OR 230V FOR LOW VOLTAGE AS DESIRED.
4. PUSH PLUG BACK IN

DD10027-001

ROTATION CCW-LE TO REVERSE INTERCHANGE ANY TWO LINE LEADS.

PLATE: 41365

SLOT: 22

DRAWING REVISION A	REVISION BY G. RODRIGUEZ	DATE 04-06-2016	TOLERANCES UNLESS OTHERWISE SPECIFIED:		DRAWN BY G. RODRIGUEZ	Regal Beloit America, Inc.
ECO	APPROVED BY E. MARTINEZ	DATE PLUG 04-06-2016	DEC.	INCH	DATE 04-06-2016	
ECO DESCRIPTION			mm	ANGLE	APPROVED BY E. MARTINEZ	DESCRIPTION CONN DIAGRAM-NAMEPLATE
<small>COPYRIGHT REGAL BELOIT AMERICA, INC. ALL RIGHTS RESERVED. PROPRIETARY AND CONFIDENTIAL INFORMATION - THIS DOCUMENT IS THE PROPERTY OF REGAL BELOIT AMERICA, INC. ("OWNER") AND CONTAINS OWNER'S PROPRIETARY INFORMATION. ANY PERSON, CORPORATION OR OTHER FIRM RECEIVING IT IS DEEMED, BY RECEIVING IT, TO AGREE THAT IT, AND/OR ANY PART OF IT, SHALL NOT BE DISCLOSED TO ANY PERSON, CORPORATION OR OTHER ENTITY, DUPLICATED, AND/OR USED, EXCEPT AS EXPRESSLY APPROVED IN WRITING IN ADVANCE BY OWNER. THIS DOCUMENT SHALL BE RETURNED TO OWNER UPON REQUEST. IT MAY BE SUBJECT TO CERTAIN RESTRICTIONS UNDER APPLICABLE EXPORT CONTROL LAWS AND REGULATIONS.</small>			.X	±0.1	[±2.5]	
			.XX	±0.01	[±0.25]	
			.XXX	±0.005	[±0.127]	
			.XXXX	±0.0005	[±0.0127]	
			REMOVE BURRS & BREAK SHARP EDGES: .003/.015 [0.076/.381] X 45° CORNER FILLETS: R.02 [51]		DATE 04-06-2016	
			MACHINED SURFACES: 125 INCH 3.2 mm		REFERENCE	MATERIAL
			mm SHOWN IN [BRACKETS]		THIRD ANGLE PROJECTION	PROCESS/FINISH
					SIZE B	DRAWING NUMBER DD10027-001
						SHEET 1 OF 1