

PRODUCT INFORMATION PACKET



Model No: H1052AV1

Catalog No: H1052AV1

JuggerNaut® Condenser Fan Motor, 2 HP, 3 Ph, 60 Hz, 230/460 V, 1200 RPM, 56HZ Frame, OPAO



Regal and Century are trademarks of Regal Rexnord Corporation or one of its affiliated companies.

©2023 Regal Rexnord Corporation, All Rights Reserved. MC017097E





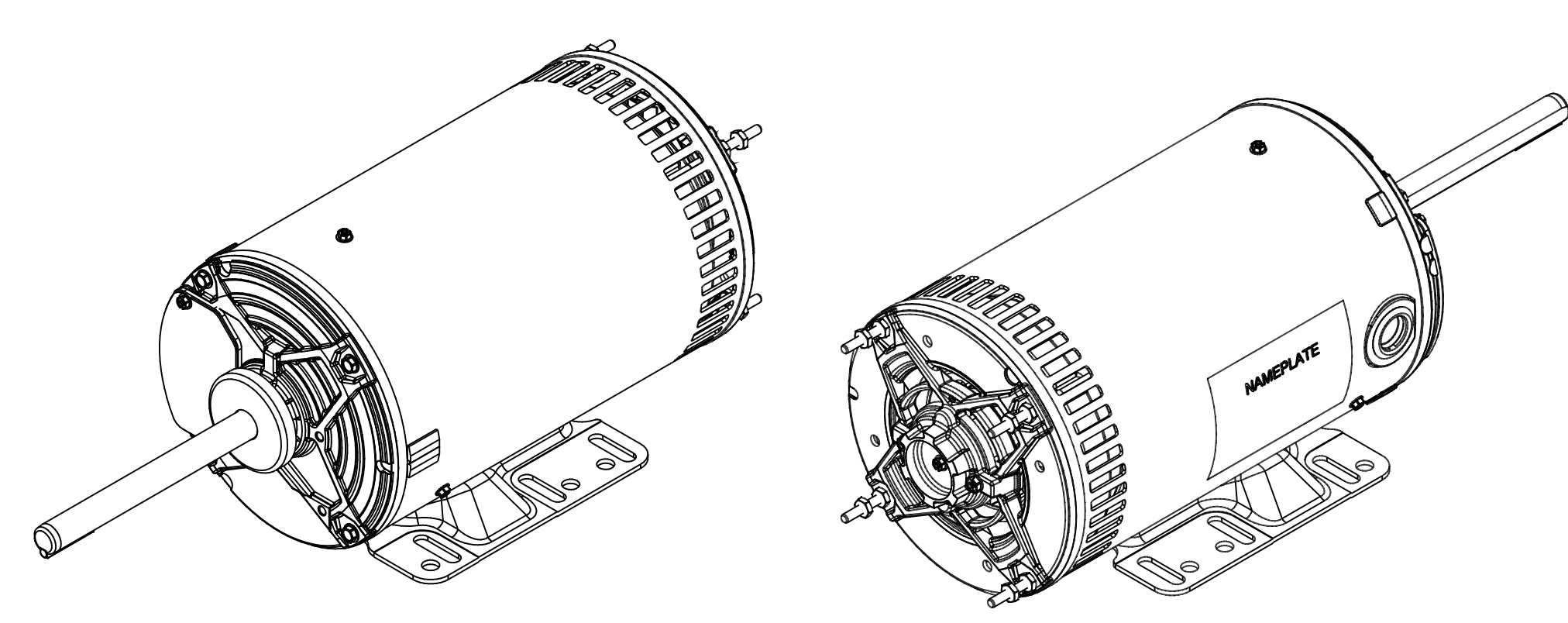
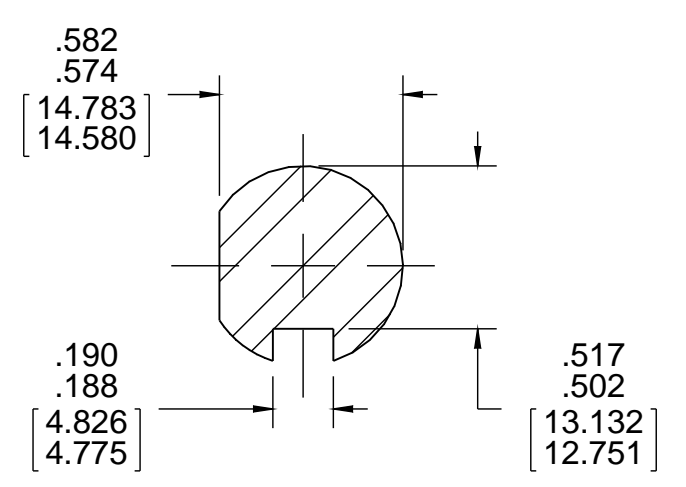
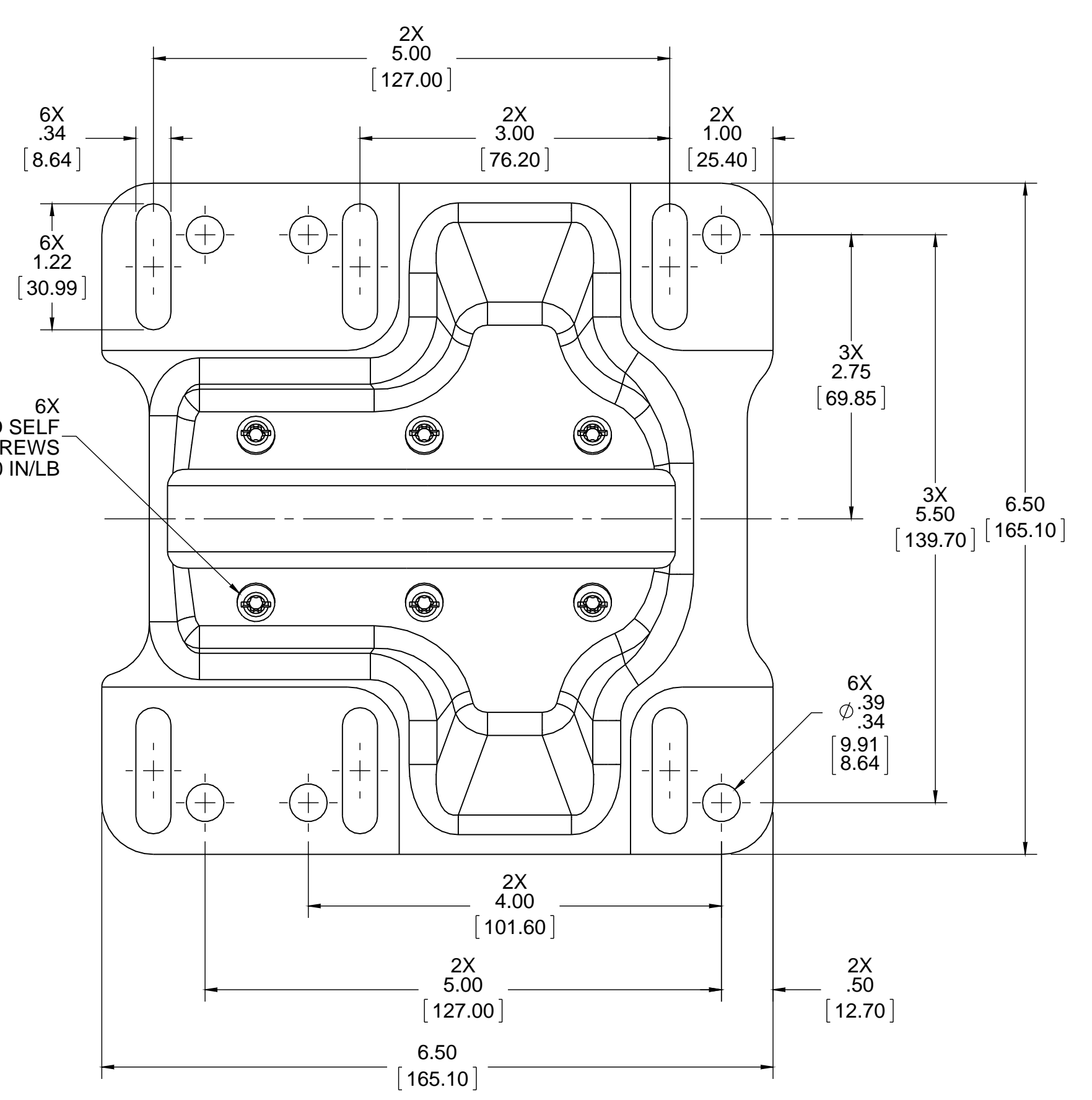
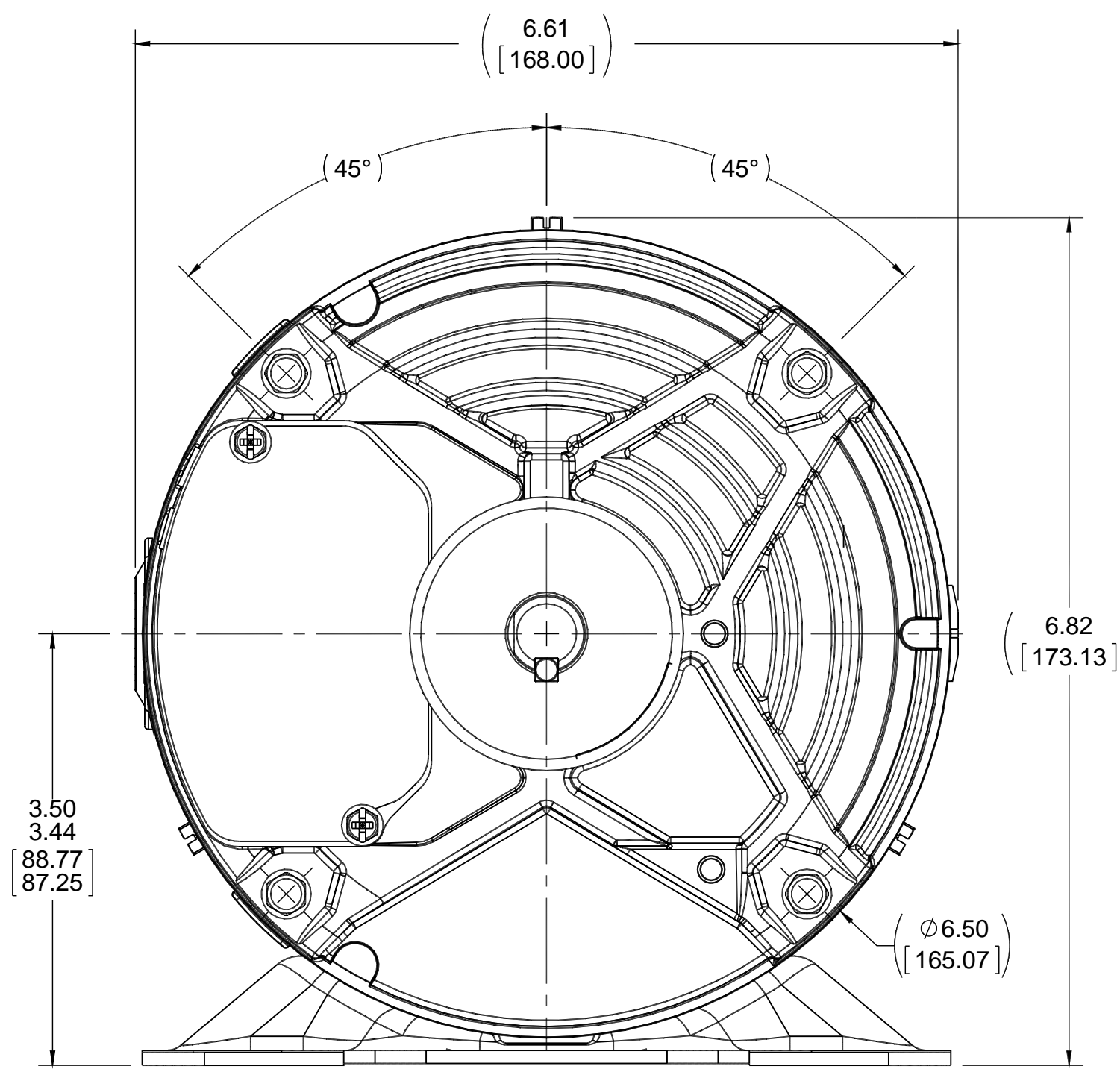
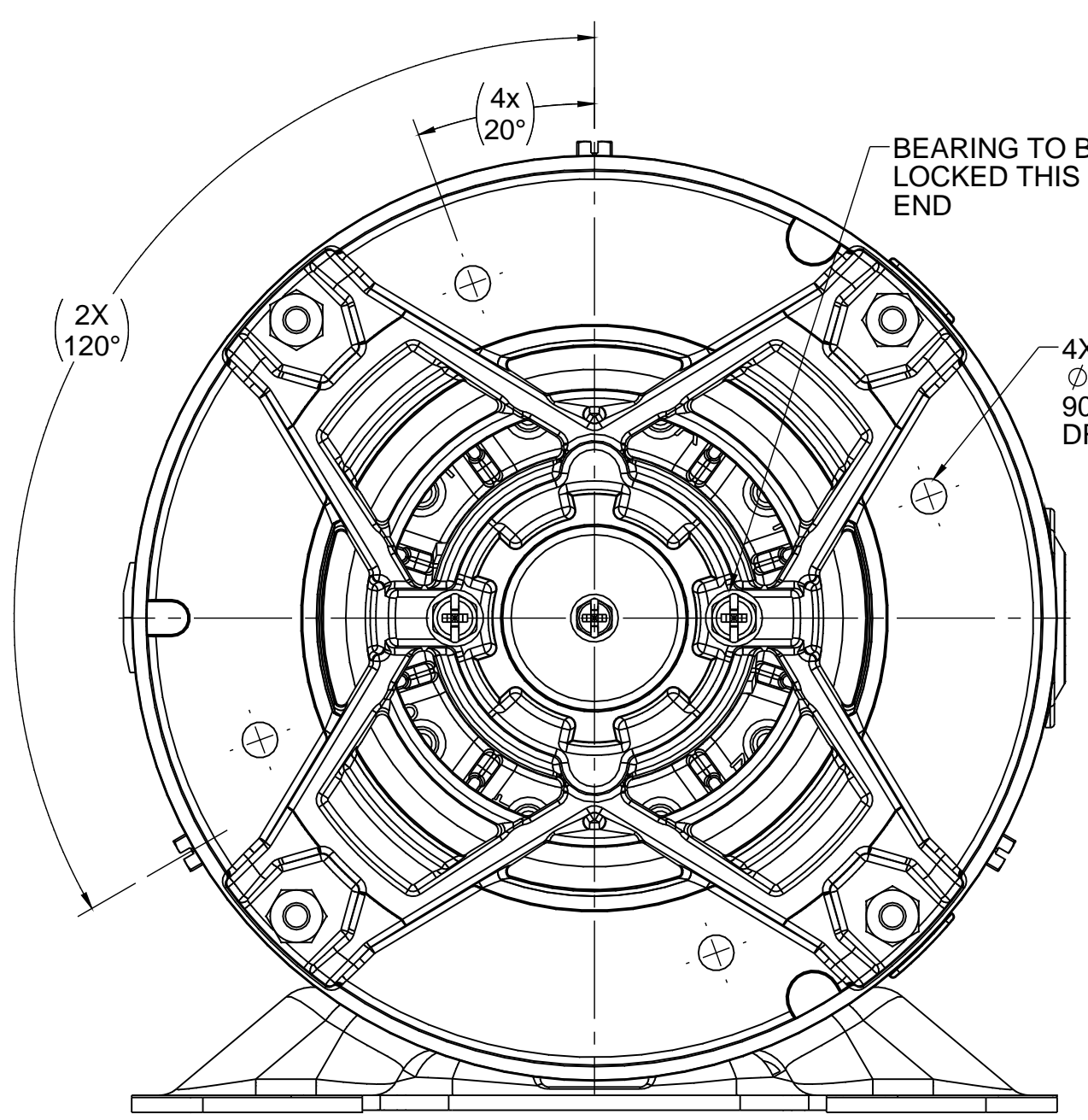
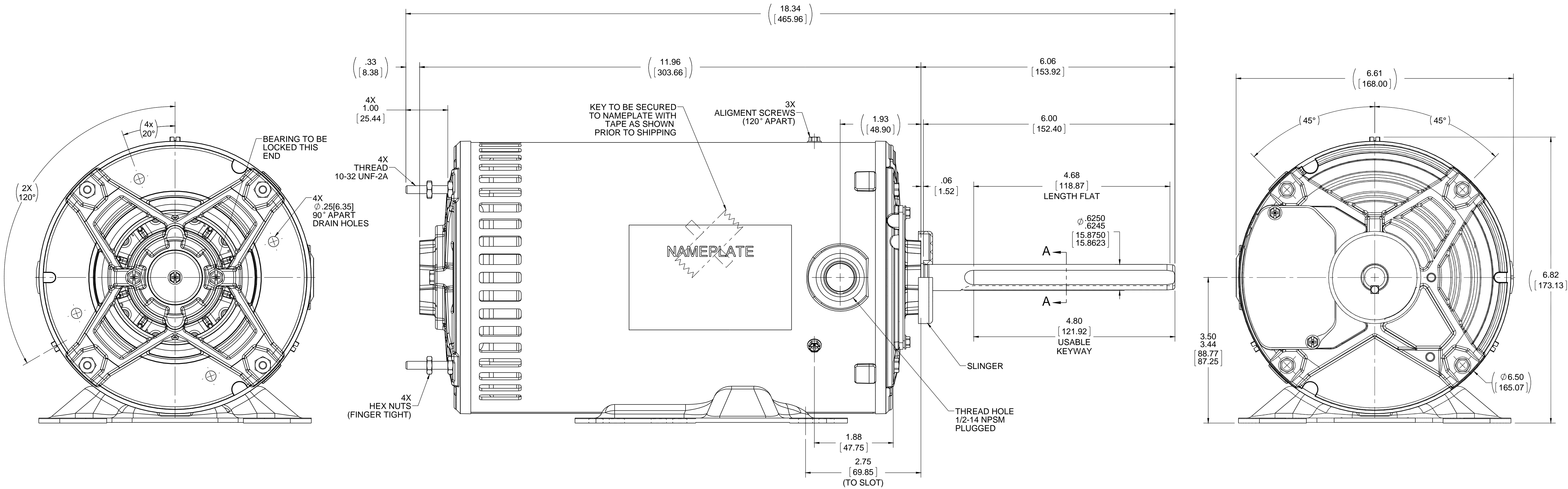
Nameplate Specifications

| | | | |
|---------------------|----------------------------|----------------|----------------------|
| Phase | 3 | Output HP | 2 Hp |
| Output KW | 1.5 kW | Voltage | 230/460 V |
| Speed | 1140 rpm | Service Factor | 1.00 |
| Frame | 56HZ | Enclosure | Open Air Over |
| Thermal Protection | Thermally Protected | Efficiency | 80 % |
| Ambient Temperature | 70 °C | Frequency | 60 Hz |
| Current | 7.0/3.5 A | Duty | Continuous |
| Insulation Class | F | UL | Recognized |
| CSA | Y | CE | N |
| Number of Speeds | 1 | | |

Technical Specifications

| | | | |
|-----------------------|--------------------|-------------------|------------------------|
| Electrical Type | Three Phase | Starting Method | Across The Line |
| Poles | 6 | Rotation | Reversible |
| Mounting | Rigid Base | Drive End Bearing | Ball |
| Opp Drive End Bearing | Ball | Frame Material | Rolled Steel |
| Shaft Type | Keyed | Overall Length | 18.34 in |
| Frame Length | 8.25 in | Shaft Diameter | 0.625 in |
| Shaft Extension | 6 in | | |
| Connection Drawing | DD10027-001 | Outline Drawing | OL56100085-001 |

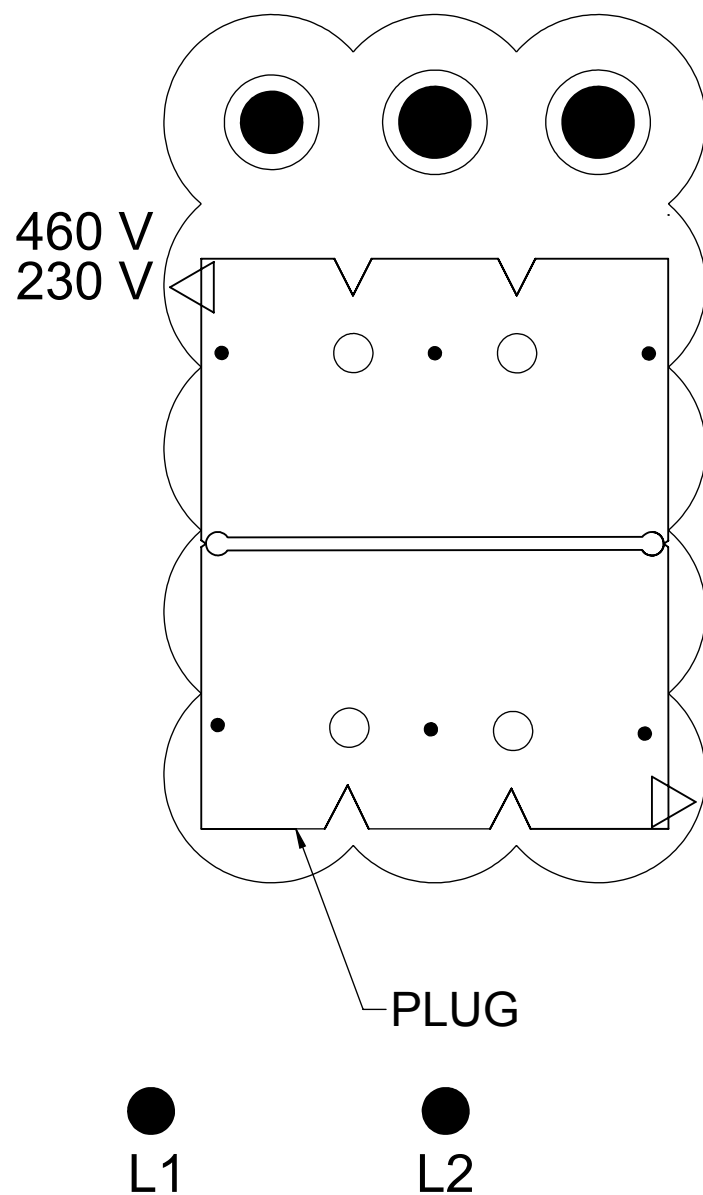
This is an uncontrolled document once printed or downloaded and is subject to change without notice. Date Created:10/10/2023



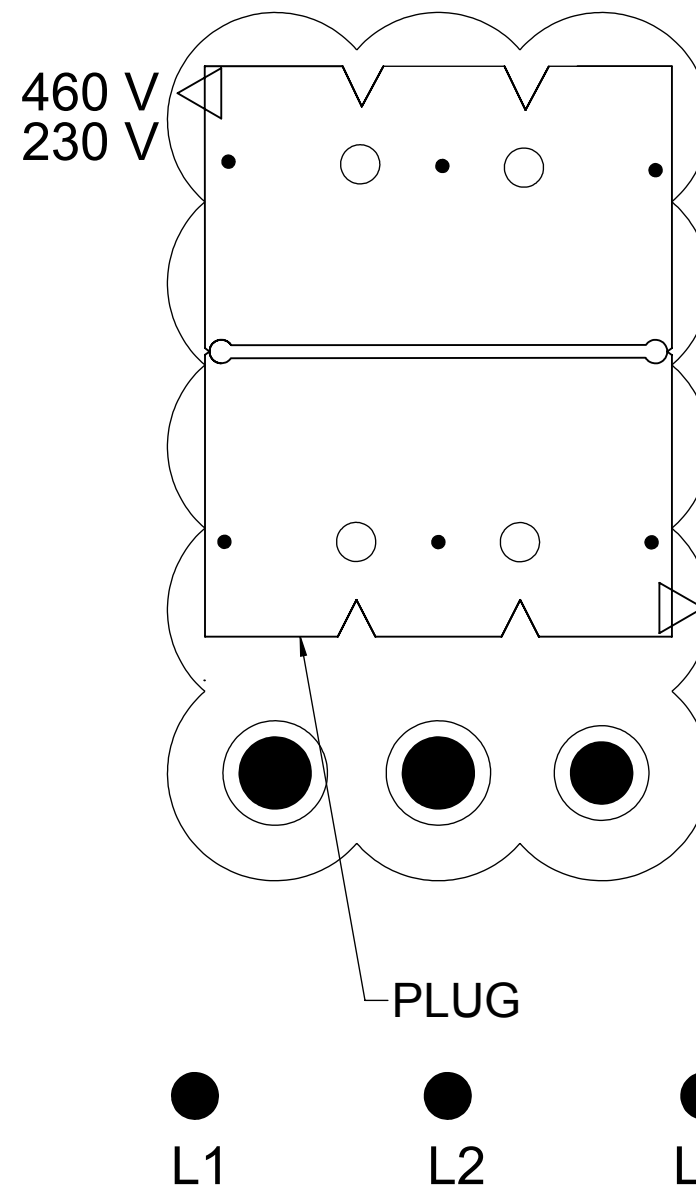
NOTE:
BASE TO BE ATTACHED WITH SCREWS. DO NOT WELD

| | | | | | |
|--|-----------------------------|--------------------|--|--------------------------|--|
| DRAWING REVISION A | REVISION BY D.VALENCIANO | DATE 05-13-2016 | TOLERANCES UNLESS OTHERWISE SPECIFIED: DEC. INCH. mm ANGLE .XX +0.03 [+0.76] .XXX +0.005 [+0.127] XXXX +0.0005 [+0.0127] | DRAWN BY D.VALENCIANO | REGAL™ Regal Beloit America, Inc. |
| ECO ECO-0101864 | APPROVED BY J.ORTEGA | DATE 05-13-2016 | DATE 05-13-2016 | APPROVED BY J.ORTEGA | DESCRIPTION OUTLINE 56FR, OAO, 3-PHASE |
| NEW MODEL RELEASE | | | EDGE: .003 [0.076] X 45° CORNER FILLETS: R.02 [5.1] | DATE 05-13-2016 | MATERIAL |
| COPYRIGHT REGAL BELOIT AMERICA, INC. ALL RIGHTS RESERVED. PROPRIETARY AND CONFIDENTIAL INFORMATION - THIS DOCUMENT IS THE PROPERTY OF REGAL BELOIT AMERICA, INC. OWNERS AND CONTAINS OWNERS PROPRIETARY INFORMATION. ANY PERSON, CORPORATION OR OTHER FIRM RECEIVING IT IS DEEMED BY RECEIVING IT TO AGREE THAT IT, AND/OR ANY PART OF IT, SHALL NOT BE DISCLOSED TO ANY PERSON, CORPORATION OR OTHER ENTITY, DUPLICATED, AND/OR USED, EXCEPT AS EXPRESSLY APPROVED IN WRITING IN ADVANCE BY OWNER. THIS DOCUMENT SHALL BE RETURNED TO OWNER UPON REQUEST. IT MAY BE SUBJECT TO CERTAIN RESTRICTIONS UNDER APPLICABLE EXPORT CONTROL LAWS AND REGULATIONS. | | | REFERENCE H1052A | THIRD ANGLE PROJECTION | PROCESS/FINISH |
| | | | MACHINED SURFACES: 125/32 INCH/mm | SIZE D | DRAWING NUMBER OL56100085-001 |
| | | | mm SHOWN IN [BRACKETS] | | SHEET 1 OF 1 |

LOW VOLTAGE



HIGH VOLTAGE



NOTES:

TO CHANGE VOLTAGE:

1. POWER MUST NOT BE CONNECTED.
2. PULL SELECTOR PLUG OUT.
3. SHIFT PLUG TO ALIGN ARROW TO 460V FOR HIGH VOLTAGE OR 230V FOR LOW VOLTAGE AS DESIRED.
4. PUSH PLUG BACK IN

DD10027-001

ROTATION CCW-LE TO REVERSE INTERCHANGE ANY TWO LINE LEADS.

PLATE: 41365

SLOT: 22

| | | | | | | | |
|---|-----------------------------|-------------------------|---|----------------------------|---|-------------------------------|-----------------|
| DRAWING REVISION A | REVISION BY G. RODRIGUEZ | DATE 04-06-2016 | TOLERANCES UNLESS OTHERWISE SPECIFIED: DEC. INCH mm ANGLE .X ±0.1 [±2.5] .XX ±0.01 [±0.25] .XXX ±0.005 [±0.127] .XXXX ±0.0005 [±0.0127] REMOVE BURRS & BREAK SHARP EDGES: .003/.015 [0.076/.381] X 45° CORNER FILLETS: R.02 [51] MACHINED SURFACES: 125 3.2 INCH mm mm SHOWN IN [BRACKETS] | DRAWN BY G. RODRIGUEZ | REGAL ™ Regal Beloit America, Inc. | | |
| ECO | APPROVED BY E. MARTINEZ | DATE PLUG 04-06-2016 | | DATE 04-06-2016 | | | |
| ECO DESCRIPTION | | | | APPROVED BY E. MARTINEZ | DESCRIPTION CONN DIAGRAM-NAMEPLATE | | |
| <small>COPYRIGHT REGAL BELOIT AMERICA, INC. ALL RIGHTS RESERVED. PROPRIETARY AND CONFIDENTIAL INFORMATION - THIS DOCUMENT IS THE PROPERTY OF REGAL BELOIT AMERICA, INC. ("OWNER") AND CONTAINS OWNER'S PROPRIETARY INFORMATION. ANY PERSON, CORPORATION OR OTHER FIRM RECEIVING IT IS DEEMED, BY RECEIVING IT, TO AGREE THAT IT, AND/OR ANY PART OF IT, SHALL NOT BE DISCLOSED TO ANY PERSON, CORPORATION OR OTHER ENTITY, DUPLICATED, AND/OR USED, EXCEPT AS EXPRESSLY APPROVED IN WRITING IN ADVANCE BY OWNER. THIS DOCUMENT SHALL BE RETURNED TO OWNER UPON REQUEST. IT MAY BE SUBJECT TO CERTAIN RESTRICTIONS UNDER APPLICABLE EXPORT CONTROL LAWS AND REGULATIONS.</small> | | | | DATE 04-06-2016 | | | |
| | | | | REFERENCE | MATERIAL | PROCESS/FINISH | |
| | | | | THIRD ANGLE PROJECTION | SIZE B | DRAWING NUMBER DD10027-001 | SHEET 1 OF 1 |