

# PRODUCT INFORMATION PACKET



Model No: H1053AV1

Catalog No: H1053AV1

JuggerNaut® Condenser Fan Motor, 1 HP, 3 Ph, 60 Hz, 208-230/460 V, 900 RPM, 56HZ Frame, OAO



Regal and Century are trademarks of Regal Rexnord Corporation or one of its affiliated companies.

©2023 Regal Rexnord Corporation, All Rights Reserved. MC017097E





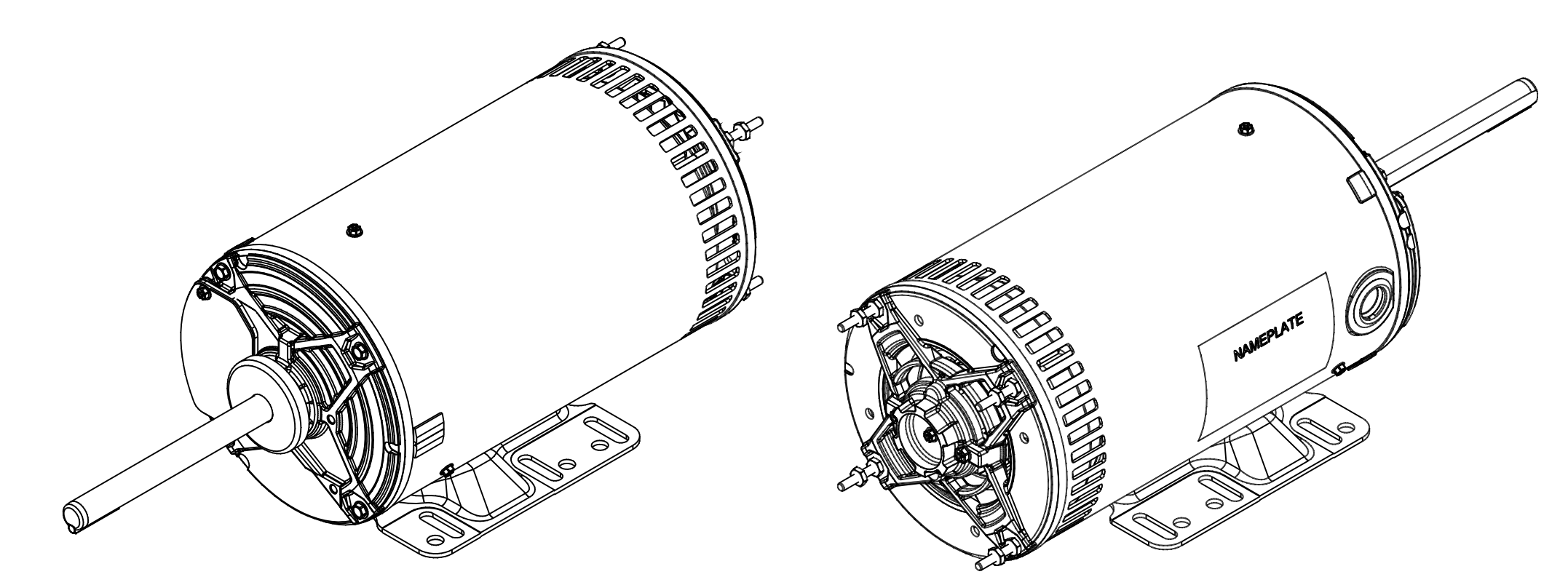
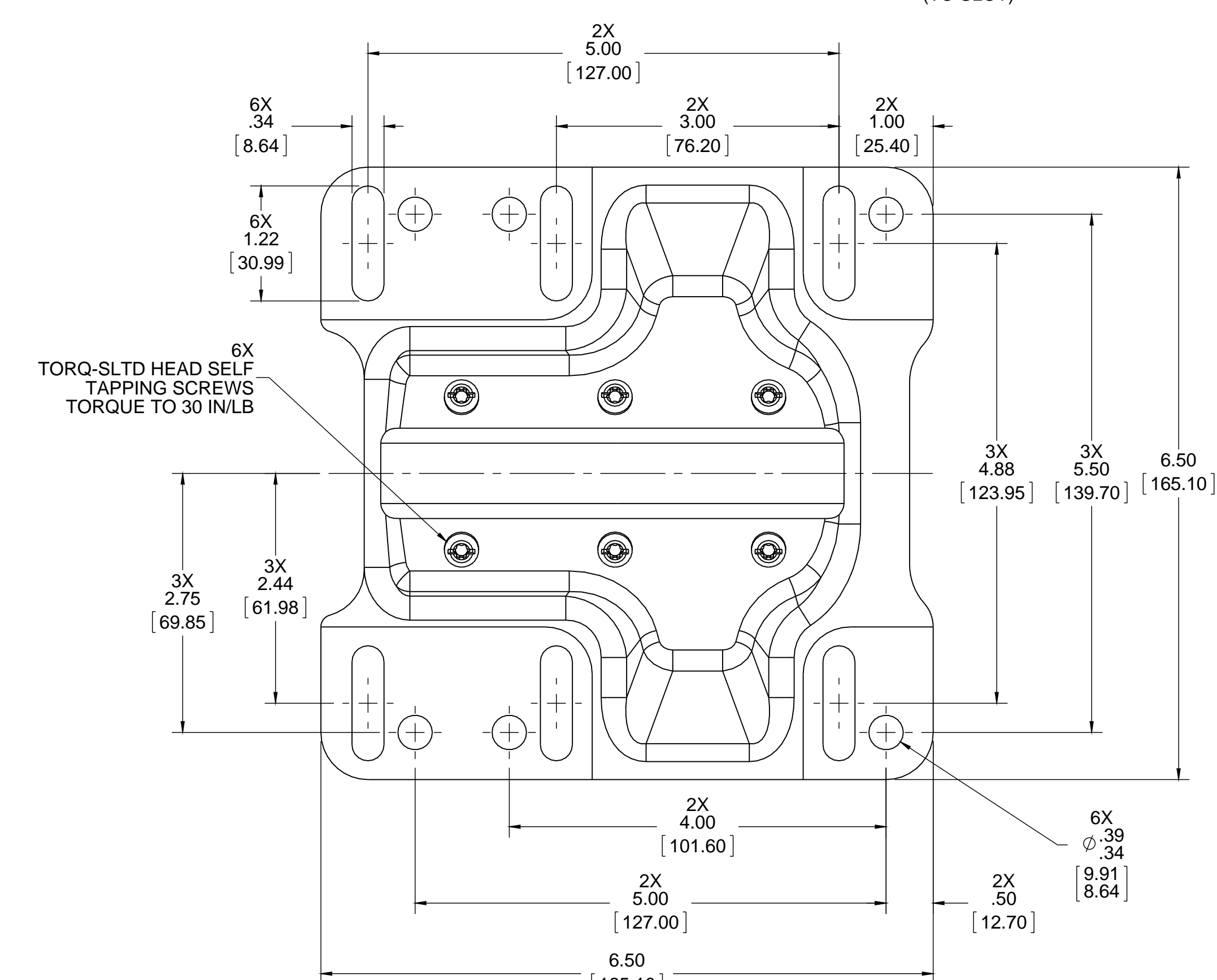
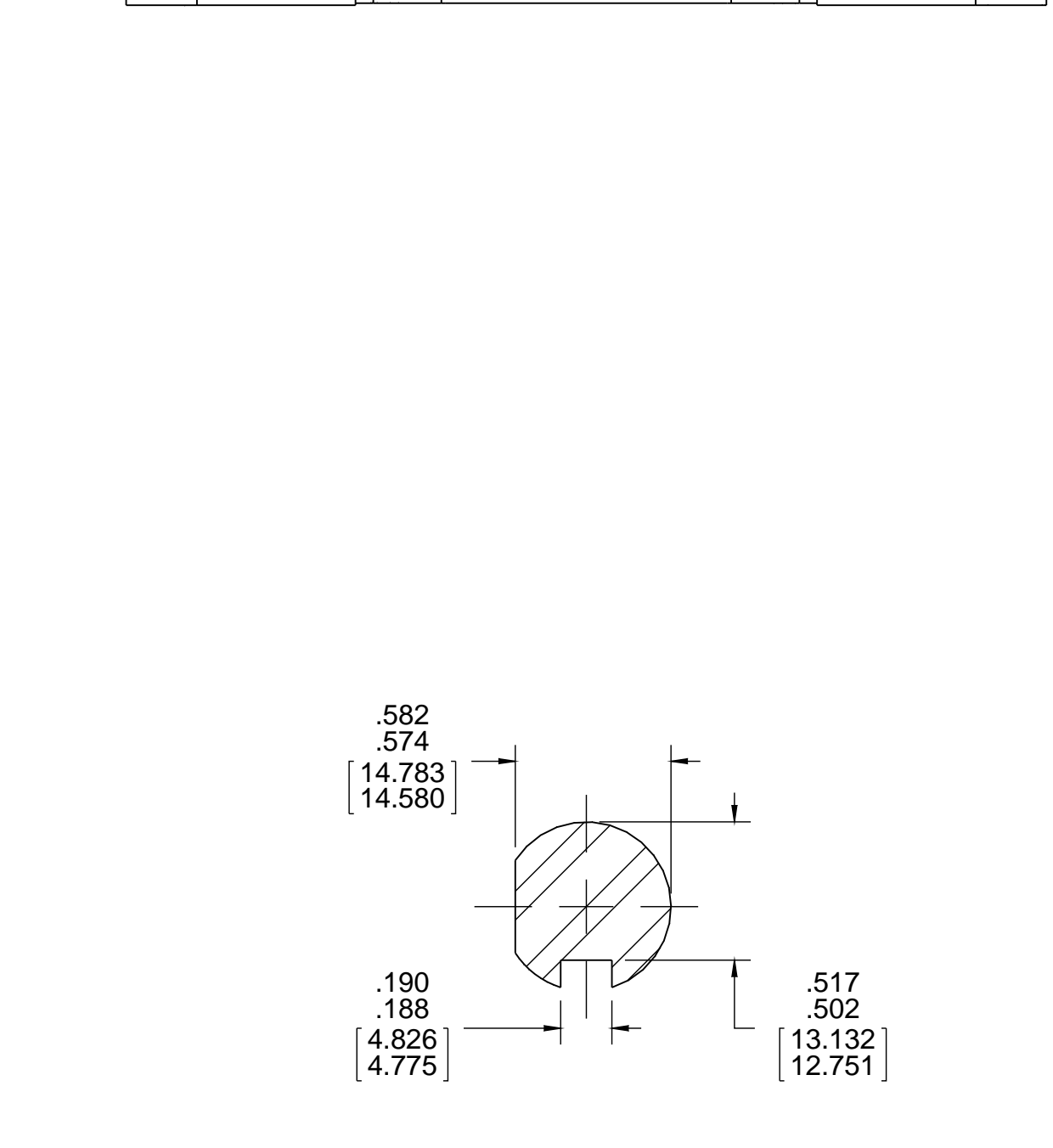
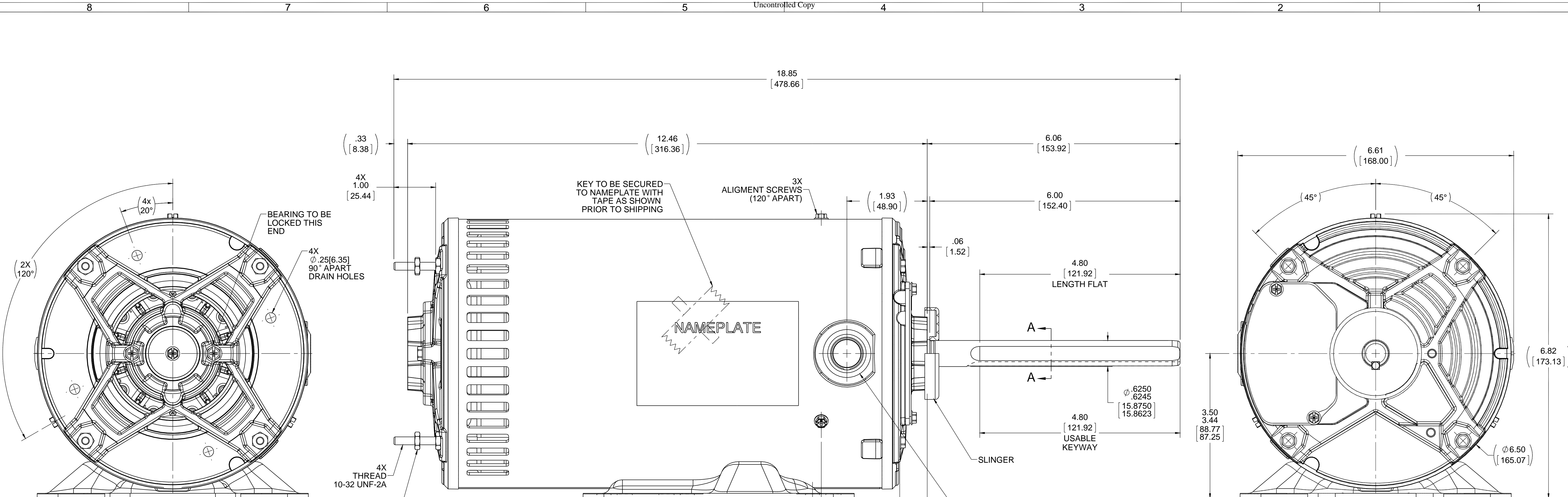
**Nameplate Specifications**

Output HP	<b>1 Hp</b>	Output KW	<b>0.75 kW</b>
Frequency	<b>60 Hz</b>	Voltage	<b>208-230/460 V</b>
Current	<b>5.1-5.4/2.7 A</b>	Speed	<b>850 rpm</b>
Service Factor	<b>1</b>	Phase	<b>3</b>
Duty	<b>Continuous</b>	Insulation Class	<b>F</b>
Frame	<b>56HZ</b>	Enclosure	<b>Open Air Over</b>
Thermal Protection	<b>Thermally Protected</b>	Ambient Temperature	<b>70 °C</b>
UL	<b>Recognized</b>	CSA	<b>Y</b>
CE	<b>N</b>	Number of Speeds	<b>1</b>

**Technical Specifications**

Electrical Type	<b>Three Phase</b>	Starting Method	<b>Across The Line</b>
Poles	<b>8</b>	Rotation	<b>Reversible</b>
Mounting	<b>Rigid Base</b>	Drive End Bearing	<b>Ball</b>
Opp Drive End Bearing	<b>Ball</b>	Frame Material	<b>Rolled Steel</b>
Shaft Type	<b>Keyed</b>	Overall Length	<b>18.85 in</b>
Frame Length	<b>10.15 in</b>	Shaft Diameter	<b>0.625 in</b>
Shaft Extension	<b>6 in</b>		
Connection Drawing	<b>DD10027-001</b>	Outline Drawing	<b>OL56100086-001</b>

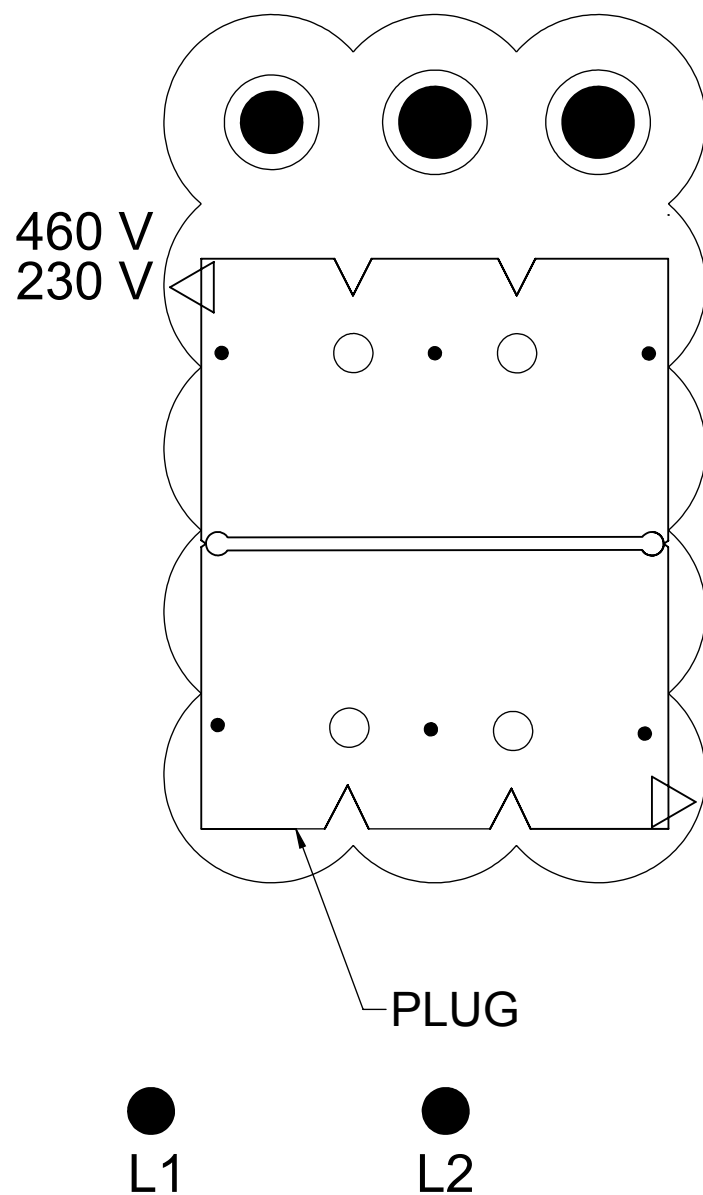
This is an uncontrolled document once printed or downloaded and is subject to change without notice. Date Created:02/16/2023



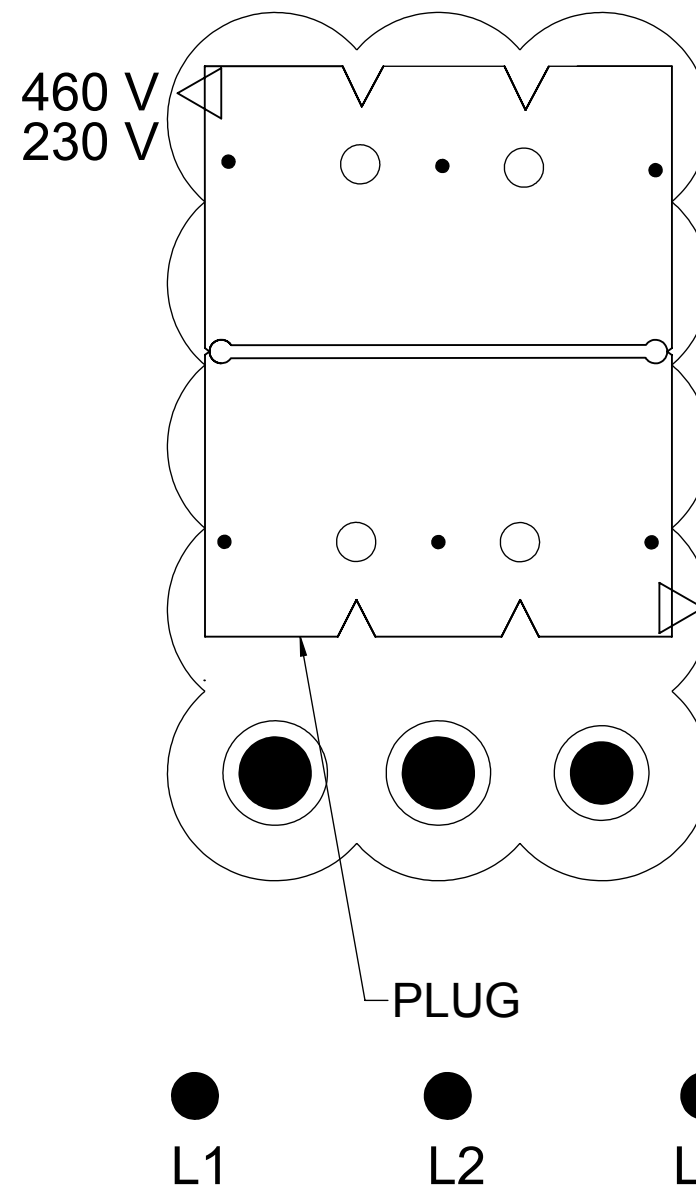
NOTE:  
BASE TO BE ATTACHED WITH SCREWS. DO NOT WELD

DRAWING REVISION A	REVISION BY D.VALENCIANO	DATE 05-18-2016	TOLERANCES UNLESS OTHERWISE SPECIFIED: DEC. INCH mm ANGLE .XX ±0.1 [±2.5] .XXX ±0.03 [±0.76] XXXX ±0.005 [±0.127] REMOVE BURRS & BREAK SHARP EDGES: 0.03/015 [076/381] X 45° CORNER FILLETS: R.02 [51] MACHINED SURFACES: 125/32 INCH/mm 3/2 mm SHOWN IN [BRACKETS]	DRAWN BY D.VALENCIANO	DATE 05-18-2016	DESCRIPTION OUTLINE 56FR, OAO, 3-PHASE
ECO ECO-0101865	APPROVED BY J.ORTEGA	DATE 05-18-2016	APPROVED BY J.ORTEGA	DATE 05-18-2016	REFERENCE H1053A	MATERIAL 56FR, OAO, 3-PHASE
NEW MODEL RELEASE			REGAL™ Regal Beloit America, Inc.			
<small>           COPYRIGHT REGAL BELOIT AMERICA, INC. ALL RIGHTS RESERVED.            PROPRIETARY AND CONFIDENTIAL INFORMATION - THIS DOCUMENT IS THE PROPERTY OF REGAL BELOIT AMERICA, INC. OWNER'S AND COMPANY OWNERS PROPRIETARY INFORMATION, ANY PERSON, CORPORATION OR OTHER FIRM RECEIVING IT IS DEEMED BY RECEIVING IT TO AGREE THAT IT, AND/OR ANY PART OF IT, SHALL NOT BE DISCLOSED TO ANY PERSON, CORPORATION OR OTHER ENTITY, DUPLICATED, AND/OR USED, EXCEPT AS EXPRESSLY APPROVED IN WRITING IN ADVANCE BY OWNER. THIS DOCUMENT SHALL BE RETURNED TO OWNER UPON REQUEST. IT MAY BE SUBJECT TO CERTAIN RESTRICTIONS UNDER APPLICABLE EXPORT CONTROL LAWS AND REGULATIONS.         </small>			<small>           THIRD ANGLE PROJECTION         </small>			
			SIZE D		DRAWING NUMBER OL56100086-001	SHEET 1 OF 1

### LOW VOLTAGE



### HIGH VOLTAGE



#### NOTES:

#### TO CHANGE VOLTAGE:

1. POWER MUST NOT BE CONNECTED.
2. PULL SELECTOR PLUG OUT.
3. SHIFT PLUG TO ALIGN ARROW TO 460V FOR HIGH VOLTAGE OR 230V FOR LOW VOLTAGE AS DESIRED.
4. PUSH PLUG BACK IN

DD10027-001

### ROTATION CCW-LE TO REVERSE INTERCHANGE ANY TWO LINE LEADS.

PLATE: 41365

SLOT: 22

DRAWING REVISION A	REVISION BY G. RODRIGUEZ	DATE 04-06-2016	TOLERANCES UNLESS OTHERWISE SPECIFIED: DEC. INCH mm ANGLE .X ±0.1 [±2.5] .XX ±0.01 [±0.25] .XXX ±0.005 [±0.127] .XXXX ±0.0005 [±0.0127] REMOVE BURRS & BREAK SHARP EDGES: .003/.015 [0.076/.381] X 45° CORNER FILLETS: R.02 [51] MACHINED SURFACES: 125 3.2 INCH mm mm SHOWN IN [BRACKETS]	DRAWN BY G. RODRIGUEZ	<b>REGAL</b> ™ Regal Beloit America, Inc.		
ECO	APPROVED BY E. MARTINEZ	DATE PLUG 04-06-2016		DATE 04-06-2016			
ECO DESCRIPTION				APPROVED BY E. MARTINEZ	DESCRIPTION CONN DIAGRAM-NAMEPLATE		
<small>COPYRIGHT REGAL BELOIT AMERICA, INC. ALL RIGHTS RESERVED. PROPRIETARY AND CONFIDENTIAL INFORMATION - THIS DOCUMENT IS THE PROPERTY OF REGAL BELOIT AMERICA, INC. ("OWNER") AND CONTAINS OWNER'S PROPRIETARY INFORMATION. ANY PERSON, CORPORATION OR OTHER FIRM RECEIVING IT IS DEEMED, BY RECEIVING IT, TO AGREE THAT IT, AND/OR ANY PART OF IT, SHALL NOT BE DISCLOSED TO ANY PERSON, CORPORATION OR OTHER ENTITY, DUPLICATED, AND/OR USED, EXCEPT AS EXPRESSLY APPROVED IN WRITING IN ADVANCE BY OWNER. THIS DOCUMENT SHALL BE RETURNED TO OWNER UPON REQUEST. IT MAY BE SUBJECT TO CERTAIN RESTRICTIONS UNDER APPLICABLE EXPORT CONTROL LAWS AND REGULATIONS.</small>				DATE 04-06-2016			
				REFERENCE	MATERIAL	PROCESS/FINISH	
				THIRD ANGLE PROJECTION	SIZE B	DRAWING NUMBER DD10027-001	SHEET 1 OF 1