

PRODUCT INFORMATION PACKET



Model No: H181LES

Catalog No: H181LES

General Purpose Motor, 2.0 HP, 3 Ph, 60/50 Hz, 230/460 V, 1800 RPM, 56None Frame, DP



Regal and Century are trademarks of Regal Rexnord Corporation or one of its affiliated companies.

©2025 Regal Rexnord Corporation, All Rights Reserved. MC017097E





Nameplate Specifications

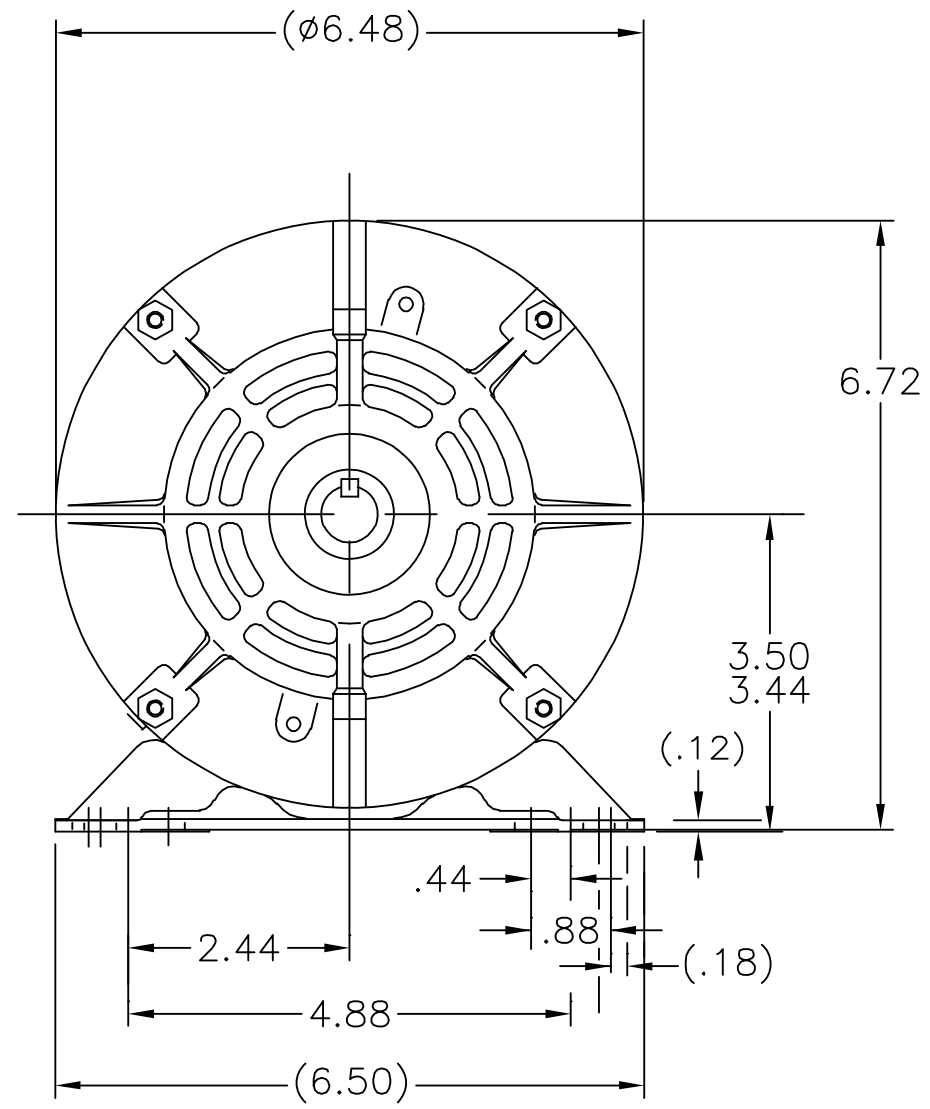
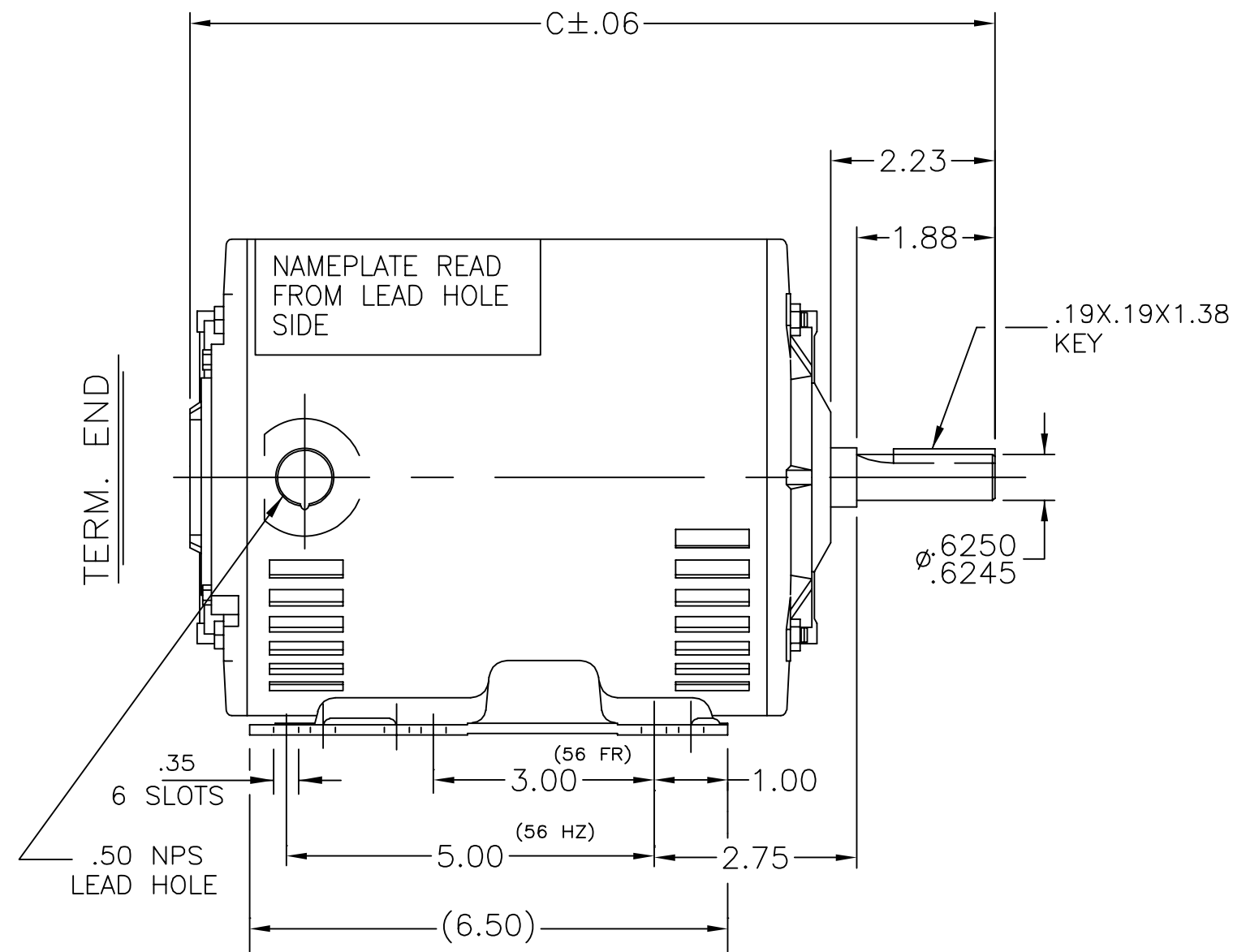
Phase	3	Output HP	2.0 Hp
Output KW	1.5 kW	Voltage	230/460 V
Speed	1725 rpm	Service Factor	1.15
Frame	56None	Enclosure	Drip Proof
Thermal Protection	No Protection	Efficiency	86.5 %
Ambient Temperature	40 °C	Frequency	60/50 Hz
Current	6.0/3.0 A	Duty	Continuous
Insulation Class	B	UL	Recognized
CSA	Y	CE	Y
Number of Speeds	1		

Technical Specifications

Electrical Type	Three Phase	Starting Method	Across The Line
Poles	4	Rotation	Reversible
Mounting	Rigid Base	Drive End Bearing	Ball
Opp Drive End Bearing	Ball	Frame Material	Rolled Steel
Shaft Type	Keyed	Overall Length	13.44 in
Frame Length	9.65 in	Shaft Diameter	0.625 in
Shaft Extension	2.23 in		
Outline Drawing	108249	Connection Drawing	103014

This is an uncontrolled document once printed or downloaded and is subject to change without notice. Date Created:06/18/2025

108249



DASH	C	DASH	C
656	10.44	856	12.44
706	10.94	906	12.94
756	11.44	956	13.44
806	11.94		

NO.	REVISION	BY & DATE	CHK	ANG	TOLERANCES UNLESS SPECIFIED		REGAL™ Regal Beloit America, Inc.	DRAWN PST 12/17/2014				
					DEC.	INCHES		CHK	AP	APPD	SCALE	3=8
					.X	±.1	TITLE OUTLINE 56 FR. - DR. PP. - BB - 3φ - 56H MAT'L. FINISH					
					.XX	±.03						
					.XXX	±.005						
					.XXXX	±.0005						
					ANG	±7'30"						
THIS DRAWING IN DESIGN AND DETAIL IS OUR PROPERTY AND MUST NOT BE USED EXCEPT IN CONNECTION WITH OUR WORK ALL RIGHTS OF DESIGN AND INVENTION ARE RESERVED THIS IS AN ELECTRONICALLY GENERATED DOCUMENT - DO NOT SCALE THIS PRINT					RFP	CAD FILE	108249	SIZE	DRAWING NO.	PAGE	OF	REV.
					DIST	WP		A	108249			

4

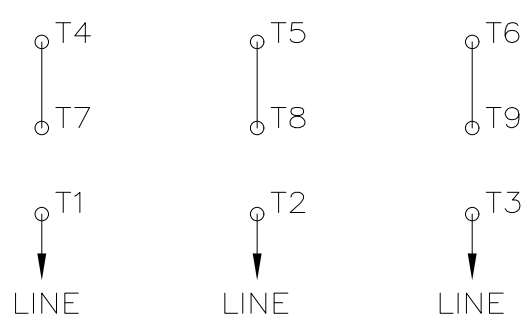
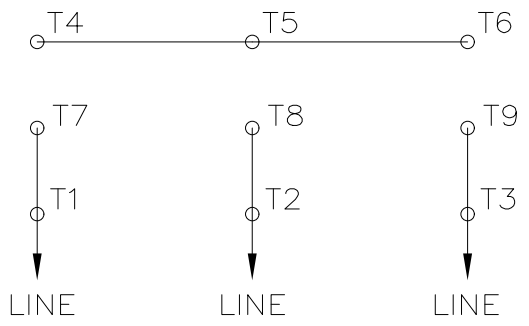
3

2

1

LOW VOLTAGE

HIGH VOLTAGE



103014

TO REVERSE ROTATION, INTERCHANGE ANY TWO LINE LEADS

PLATE: 41365

SLOT: 22

DRAWING REVISION C		REVISION BY GKB	REV DATE/ DATE 04/14/2025	TOLERANCES (EXCEPT AS NOTED): DEC. INCH mm ANGLE .X ±0.1 [±3] ±0.5° .XX ±0.01 [±0.3] .XXX ±0.005 [±0.13] .XXXX ±0.0005 [±0.013] REMOVE BURRS & BREAK SHARP EDGES: .003/.015 [.08/.38] X 45 CORNER FILLETS: R.02 [.5] MACHINED SURFACES: 125/ 3.2/ INCH mm	DRAWN BY TOM	Regal Beloit America, Inc.
REQUEST NUMBER ECR-0242041		APPROVED BY RK	DATE 04/14/2025		DATE 08/14/1989	
REQUEST NUMBER DESCRIPTION CHANGED FROM MARATHON TO RRX TEMPLATE				APPROVED BY GK	DESCRIPTION CONNECTION DIAGRAM	
COPYRIGHT (PER REVISION DATE) REGAL BELOIT AMERICA, INC. ALL RIGHTS RESERVED. PROPRIETARY AND CONFIDENTIAL INFORMATION - THIS DOCUMENT IS THE PROPERTY OF REGAL BELOIT AMERICA, INC. (OWNER) AND CONTAINS OWNER'S PROPRIETARY INFORMATION. ANY PERSON, CORPORATION OR OTHER FIRM RECEIVING IT IS DEEMED, BY RECEIVING IT, TO AGREE THAT IT, AND/OR ANY PART OF IT, SHALL NOT BE DISCLOSED TO ANY PERSON, CORPORATION OR OTHER ENTITY, DUPLICATED, AND/OR USED, EXCEPT AS EXPRESSLY APPROVED IN WRITING IN ADVANCE BY OWNER. THIS DOCUMENT SHALL BE RETURNED TO OWNER UPON REQUEST. IT MAY BE SUBJECT TO CERTAIN RESTRICTIONS UNDER APPLICABLE EXPORT CONTROL LAWS AND REGULATIONS.				DATE 08/14/1989	MAT'L	PROCESS/FINISH
				REFERENCE	THIRD ANGLE PROJECTION	SIZE D

4

3

2

1