

PRODUCT INFORMATION PACKET



Model No: H281

Catalog No: H281

Pool Pump Motor, 1/2 HP, 3 Ph, 60 Hz, 208-230/460 V, 3600 RPM, K56C Frame, DP



Regal and Century are trademarks of Regal Rexnord Corporation or one of its affiliated companies.

©2022 Regal Rexnord Corporation, All Rights Reserved. MC017097E





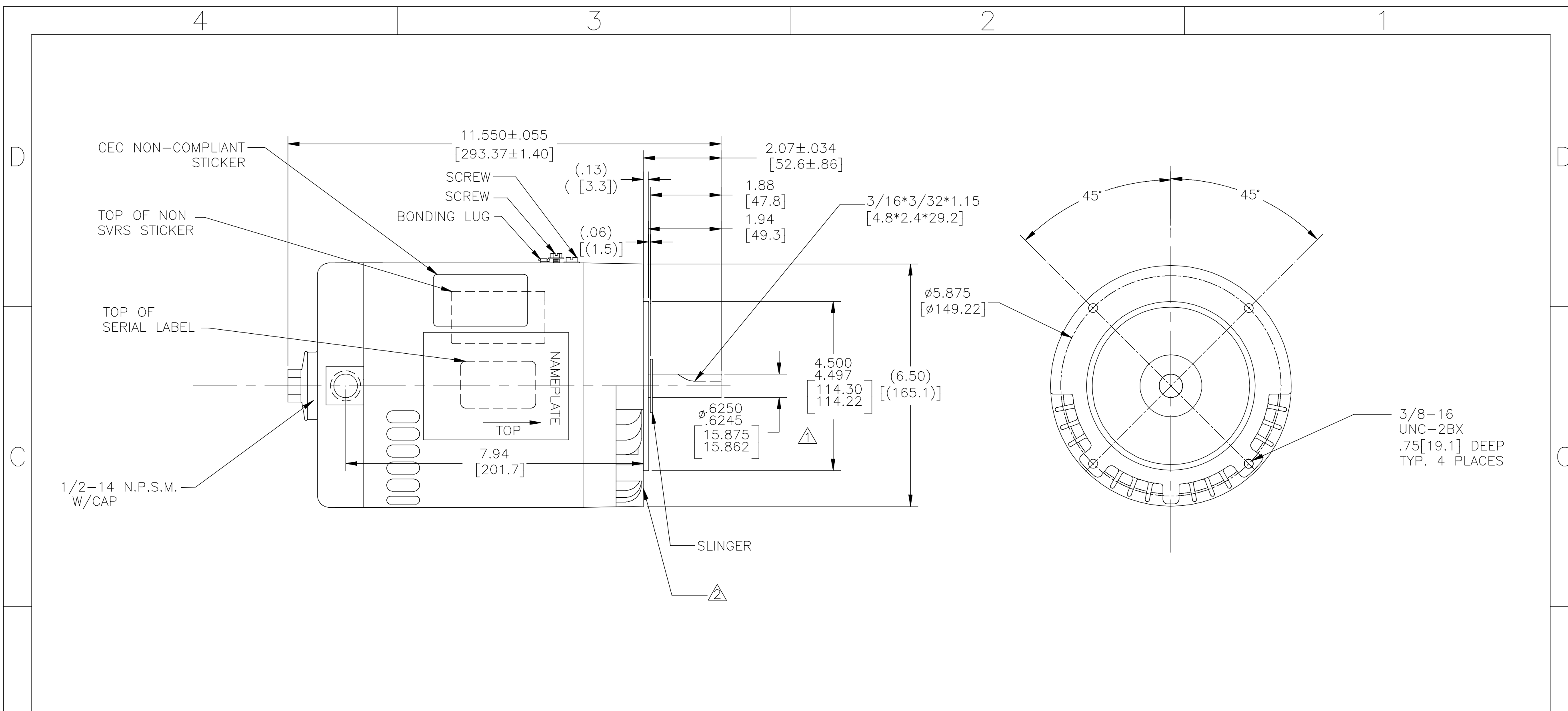
Nameplate Specifications

Output HP	1/2 Hp	Output KW	0.37 kW
Frequency	60 Hz	Voltage	208-230/460 V
Current	1.8-2.0/1.0 A	Speed	3450/2850 rpm
Service Factor	1.6	Phase	3
Duty	Continuous	Insulation Class	A
Frame	K56C	Enclosure	Drip Proof
Thermal Protection	No Protection	Ambient Temperature	40 °C
UL	Recognized	CSA	Y
Number of Speeds	1		

Technical Specifications

Electrical Type	Polyphase, Induction Type, Single Or Dual Voltage	Poles	2
Rotation	Reversible Counterclockwise	Mounting	Round
Motor Orientation	Horizontal	Drive End Bearing	Ball
Opp Drive End Bearing	Ball	Frame Material	Rolled Steel
Shaft Type	5/8 Keyed	Overall Length	11.87 in
Frame Length	5.50 in	Shaft Diameter	0.625 in
Shaft Extension	2.07 in		
Outline Drawing	H281-S01	Connection Drawing	18304024.PCX

This is an uncontrolled document once printed or downloaded and is subject to change without notice. Date Created:11/28/2022



NAMEPLATE DATA	EXTERNAL CONNECTION DIAGRAM	NOTES																														
<p>MODEL: 151767 CUST PN: H281 HP: 1/2 SF: 1.60 ROT: RCC RPM: 3450/2850 TYPE: SC CODE: N FORM: FRAME: K 56 C VOLTS: 208-230/460 AMPS: 1.8-2.0/1.0 MAX AMPS: SF AMPS: - PH: 3 HZ: 60/50 INS: A AMB: 40°C DUTY: CONT ENCLOSURE: ODP THERMALLY PROTECTED</p>	<p>183040-24</p> <table border="1"> <thead> <tr> <th>LOW VOLTAGE</th> <th>TO REVERSE, INTER-CHANGE ANY TWO LINE LEADS.</th> <th>HIGH VOLTAGE</th> </tr> </thead> <tbody> <tr> <td>4-BROWN</td> <td></td> <td>4-BROWN</td> </tr> <tr> <td>5-ORANGE</td> <td></td> <td>7-PURPLE</td> </tr> <tr> <td>6-BLACK</td> <td></td> <td>5-ORANGE</td> </tr> <tr> <td>1-RED</td> <td></td> <td>8-GRAY</td> </tr> <tr> <td>7-PURPLE</td> <td></td> <td>6-BLACK</td> </tr> <tr> <td>2-WHITE</td> <td></td> <td>9-PINK</td> </tr> <tr> <td>8-GRAY</td> <td></td> <td>1-RED</td> </tr> <tr> <td>3-BLUE</td> <td></td> <td>2-WHITE</td> </tr> <tr> <td>9-PINK</td> <td></td> <td>3-BLUE</td> </tr> </tbody> </table>	LOW VOLTAGE	TO REVERSE, INTER-CHANGE ANY TWO LINE LEADS.	HIGH VOLTAGE	4-BROWN		4-BROWN	5-ORANGE		7-PURPLE	6-BLACK		5-ORANGE	1-RED		8-GRAY	7-PURPLE		6-BLACK	2-WHITE		9-PINK	8-GRAY		1-RED	3-BLUE		2-WHITE	9-PINK		3-BLUE	<p>▲ PILOT DIAMETER IS CONCENTRIC WITH SHAFT CENTERLINE WITHIN .004 [.10]T.I.R.</p> <p>▲ FACE OF MOUNTING FLANGE IS PERPENDICULAR TO SHAFT CENTERLINE WITHIN .004 [.10]T.I.R.</p> <p>3. SHAFT RUNOUT NOT TO EXCEED .002 [.05]T.I.R.</p> <p>4. END PLAY NOT TO EXCEED .010 [.25] MEASURED WITH NO THRUST</p>
LOW VOLTAGE	TO REVERSE, INTER-CHANGE ANY TWO LINE LEADS.	HIGH VOLTAGE																														
4-BROWN		4-BROWN																														
5-ORANGE		7-PURPLE																														
6-BLACK		5-ORANGE																														
1-RED		8-GRAY																														
7-PURPLE		6-BLACK																														
2-WHITE		9-PINK																														
8-GRAY		1-RED																														
3-BLUE		2-WHITE																														
9-PINK		3-BLUE																														

PERFORMANCE CURVE	APPROVED SAMPLE		
12715121			
UL COMPONENT	CSA		
FILE#	CCN#	FILE#	GUIDE#
PENDING	PENDING	LR4642	4211-01
CUSTOMER	DISTRIBUTION		

DRAWING REVISION	REVISION BY	DATE	REGAL-BELOIT CORPORATION (RBC) PROVIDES TECHNICAL ASSISTANCE TO OUR CUSTOMERS IN SEVERAL AREAS. SINCE RBC DOES NOT RECEIVE ALL DATA CONCERNING THE USE AND APPLICATION OF THE MOTOR, THE APPLICABILITY OF THE MOTOR FOR THE CUSTOMER.	DRAWN BY:	REGAL™ Regal Beloit America, Inc.
F	G. RODRIGUEZ	04-26-2019	DIMENSIONS WITHOUT TOLERANCES ARE FOR REFERENCE ONLY.	TOM ZHAO	OUTLINE
ECO	APPROVED BY G. RODRIGUEZ	04-26-2019		APPROVED BY: IDT	
ECO DESCRIPTION SEE ECO			THIRD ANGLE PROJECTION	REFERENCE	MATERIAL
<small>COPYRIGHT REGAL BELOIT AMERICA, INC. ALL RIGHTS RESERVED. PROPRIETARY AND CONFIDENTIAL INFORMATION - THIS DOCUMENT IS THE PROPERTY OF REGAL BELOIT AMERICA, INC. (OWNER) AND CONTAINS OWNER'S PROPRIETARY INFORMATION. ANY PERSON, CORPORATION OR OTHER FIRM RECEIVING IT IS DEEMED, BY RECEIVING IT, TO AGREE THAT IT, AND/OR ANY PART OF IT, SHALL NOT BE DISCLOSED TO ANY PERSON, CORPORATION OR OTHER ENTITY, DUPLICATED, AND/OR USED, EXCEPT AS EXPRESSLY APPROVED IN WRITING IN ADVANCE BY OWNER. THIS DOCUMENT SHALL BE RETURNED TO OWNER UPON REQUEST. IT MAY BE SUBJECT TO CERTAIN RESTRICTIONS UNDER APPLICABLE EXPORT CONTROL LAWS AND REGULATIONS.</small>					DESCRIPTION
					MATERIAL
					PROCESS/FINISH
					SIZE DWG NO
					H281
					SHEET
					1