

PRODUCT INFORMATION PACKET



Model No: H451

Catalog No: H451

Pool Pump Motor, 3/4 HP, 3 Ph, 60/50 Hz, 208-230/460 V, 3600 RPM, L56J Frame, DP



Regal and Century are trademarks of Regal Rexnord Corporation or one of its affiliated companies.

©2025 Regal Rexnord Corporation, All Rights Reserved. MC017097E





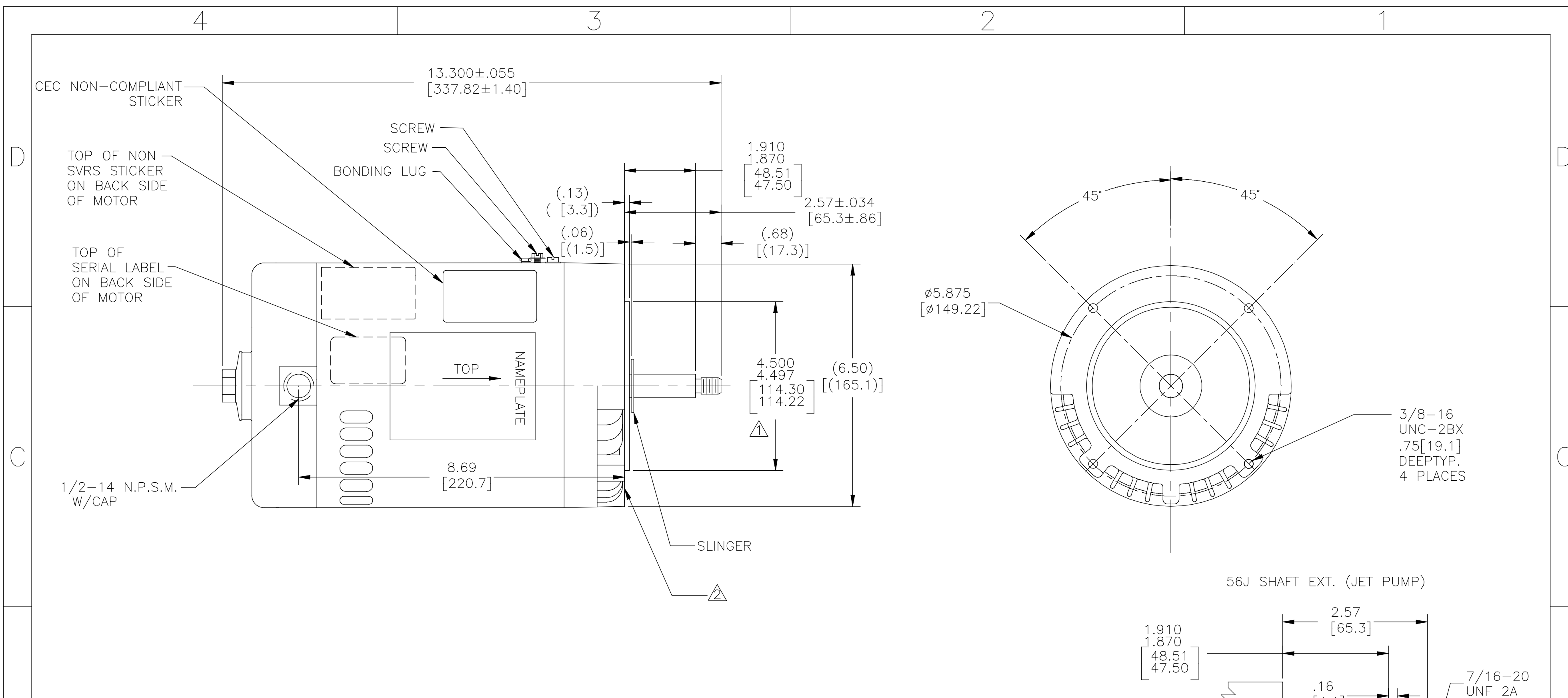
Nameplate Specifications

Phase	3	Output HP	3/4 Hp
Output KW	0.56 kW	Voltage	208-230/460 V
Speed	3450/2850 rpm	Service Factor	1.5
Frame	L56J	Enclosure	Drip Proof
Thermal Protection	No Protection	Ambient Temperature	40 °C
Frequency	60/50 Hz	Current	2.9-2.9/1.4 A
Duty	Continuous	Insulation Class	A
UL	Recognized	CSA	Y
Number of Speeds	1		

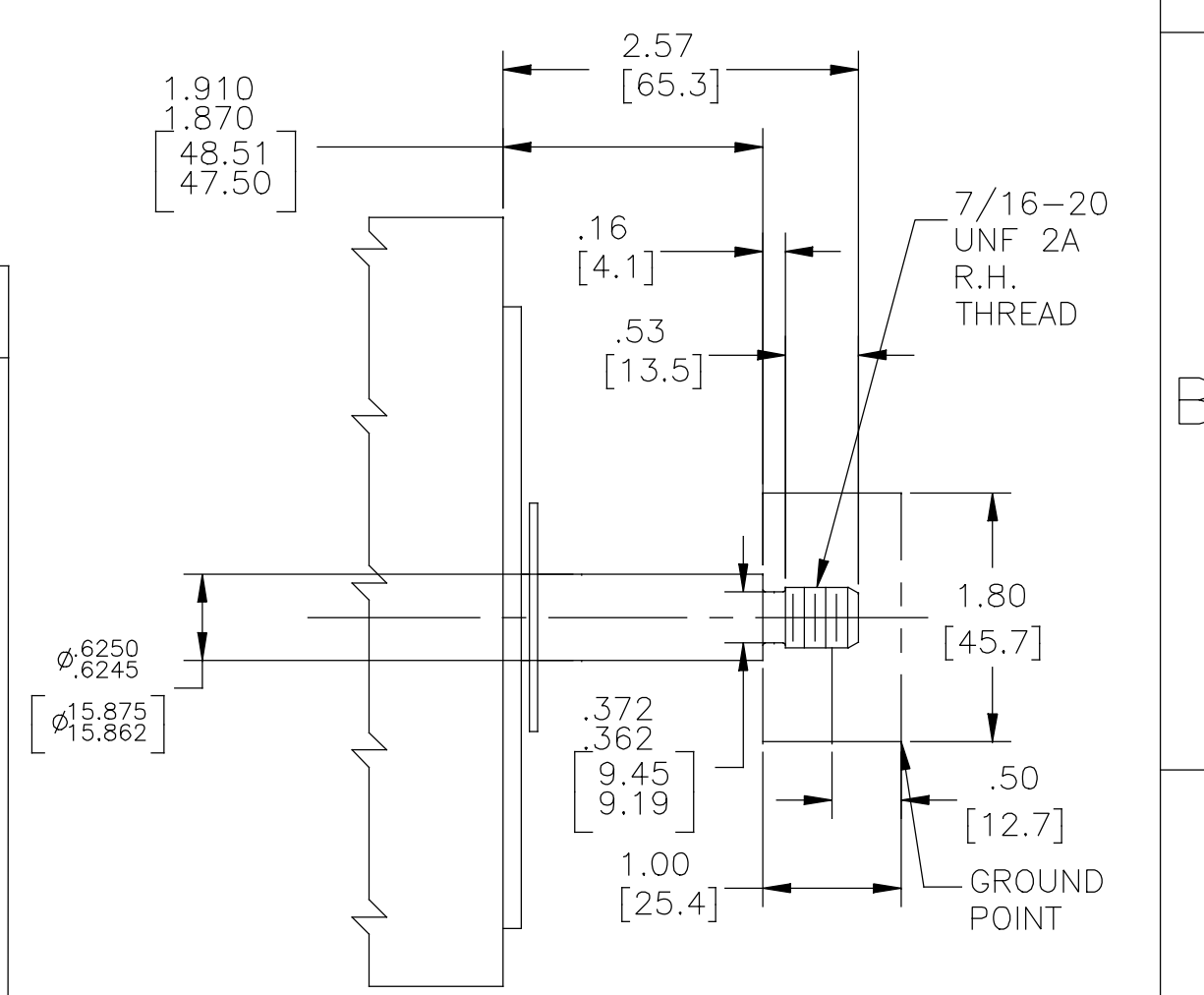
Technical Specifications

Electrical Type	Polyphase, Induction Type, Single Or Dual Voltage	Poles	2
Rotation	Reversible Counterclockwise	Mounting	Round
Motor Orientation	Horizontal	Drive End Bearing	Ball
Opp Drive End Bearing	Ball	Frame Material	Rolled Steel
Shaft Type	7/16 Threaded	Overall Length	12.12 in
Frame Length	6.25 in	Shaft Diameter	0.625 in
Shaft Extension	2.57 in		
Connection Drawing	18304024.PCX	Outline Drawing	H451-S01

This is an uncontrolled document once printed or downloaded and is subject to change without notice. Date Created:06/18/2025



NAMEPLATE DATA	EXTERNAL CONNECTION DIAGRAM	NOTES
MODEL: 151770 CUST PN: H451 HP: 3/4 SF: 1.5 ROT: RCC RPM: 3450/2850 TYPE: SC CODE: P FORM: FRAME: L 56 C VOLTS: 208-230/460 AMPS: 2.9-2.9/1.4 MAX AMPS: SF AMPS: - PH: 3 HZ: 60/50 INS: A AMB: 40°C DUTY: CONT ENCLOSURE: ODP THERMALLY PROTECTED	<p>183040-24</p> <p>LOW VOLTAGE</p> <p>4-BROWN</p> <p>5-ORANGE</p> <p>6-BLACK</p> <p>1-RED</p> <p>7-PURPLE</p> <p>2-WHITE</p> <p>8-GRAY</p> <p>3-BLUE</p> <p>9-PINK</p> <p>TO REVERSE, INTER-CHANGE ANY TWO LINE LEADS.</p> <p>HIGH VOLTAGE</p> <p>4-BROWN</p> <p>7-PURPLE</p> <p>5-ORANGE</p> <p>8-GRAY</p> <p>6-BLACK</p> <p>9-PINK</p> <p>1-RED</p> <p>2-WHITE</p> <p>3-BLUE</p>	<p>▲PILOT DIAMETER IS CONCENTRIC WITH SHAFT CENTERLINE WITHIN .004 [.10]T.I.R.</p> <p>▲FACE OF MOUNTING FLANGE IS PERPENDICULAR TO SHAFT CENTERLINE WITHIN .004 [.10]T.I.R.</p> <p>3.SHAFT RUNOUT NOT TO EXCEED .002 [.05]T.I.R.</p> <p>4.END PLAY NOT TO EXCEED .010 [.25] MEASURED WITH NO THRUST</p>



PERFORMANCE CURVE	APPROVED SAMPLE		
12715021			
UL COMPONENT	CSA		
FILE#	CCN#	FILE#	GUIDE#
PENDING	PENDING	LR4642	4211-01
CUSTOMER	DISTRIBUTION		

REVISION	REVISION BY	DATE	TOLERANCES UNLESS OTHERWISE SPECIFIED
F	P.ROJAS	04-25-2019	DEC. INCH mm ANGLE
ECO	APPROVED BY	DATE	.XX ±0.1 [±2.5] ±0.5°
ECO-0165900	P.ROJAS	04-25-2019	.XX ±0.02 [±0.51]
ECO DESCRIPTION			.XXX ±0.005 [±0.127]
SEE ECO			.XXXX ±0.0005 [±0.0127]
			REMOVE BURRS & BREAK SHARP EDGES .003/.015 [0.076/.381] X 45° CORNER FILLETS R.02 [51]
			MACHINED SURFACES 125/3.2 INCH/mm
			mm SHOWN IN [BRACKETS]

DRAWN BY:	DATE:	DESCRIPTION:
TOM ZHAO	07-10-2006	MODEL-CFHP-56FR OUTLINE
APPROVED BY:	DATE:	MATERIAL:
TDT	07-11-2006	
REFERENCE:		PROCESS/FINISH:
THIRD ANGLE PROJECTION	SIZE DWG NO	SHEET
	C H451	1