

PRODUCT INFORMATION PACKET



Model No: H491

Catalog No: H491

Pool Pump Motor, 1/2 HP, 3 Ph, 60 Hz, 208-230/460 V, 3600 RPM, Y56Y Frame, DP



Regal and Century are trademarks of Regal Rexnord Corporation or one of its affiliated companies.
©2024 Regal Rexnord Corporation, All Rights Reserved. MC017097E





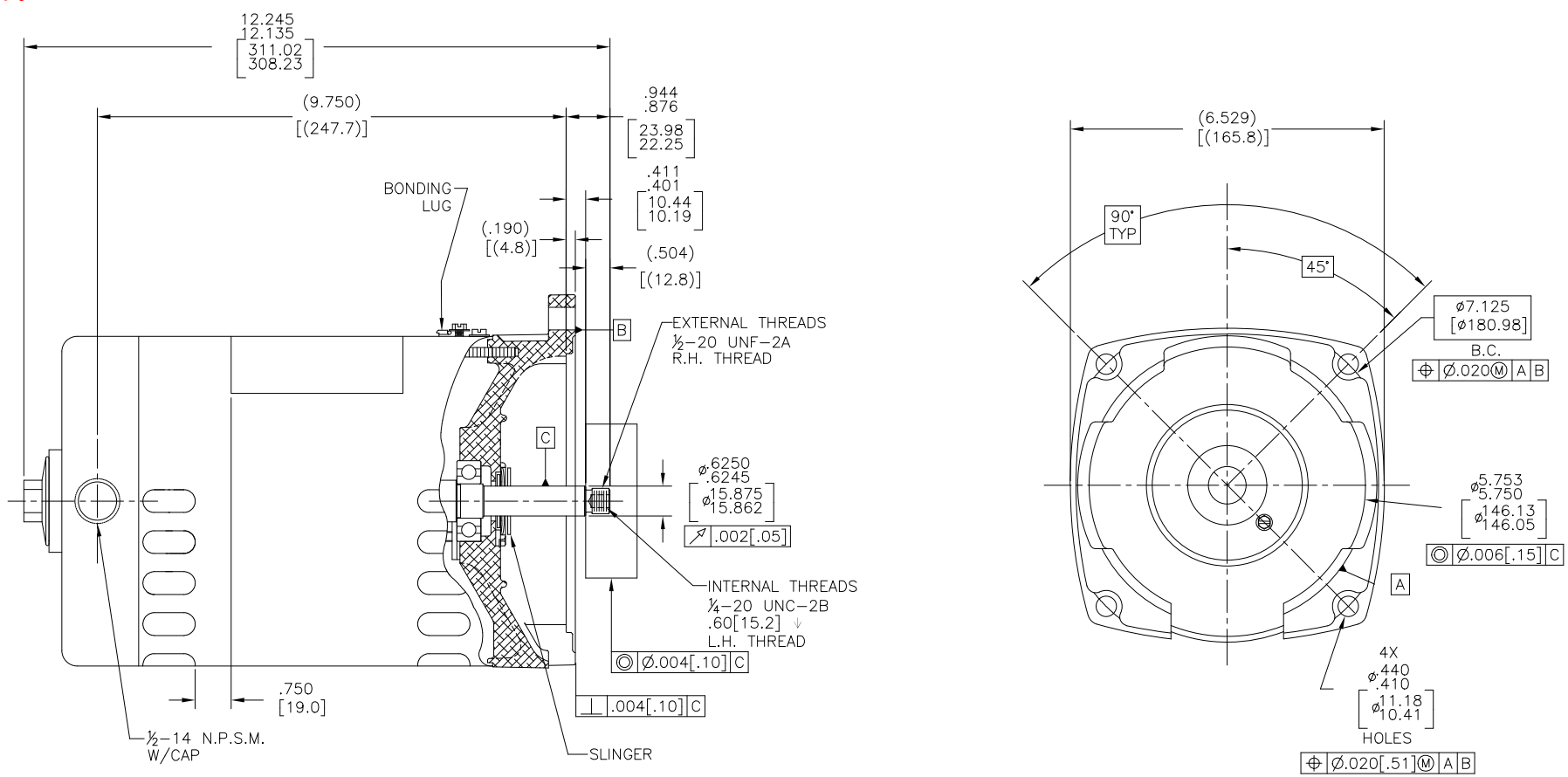
Nameplate Specifications

Phase	3	Output HP	1/2 Hp
Output KW	0.37 kW	Voltage	208-230/460 V
Speed	3450 rpm	Service Factor	1.9
Frame	Y56Y	Enclosure	Drip Proof
Thermal Protection	No Protection	Ambient Temperature	50 °C
Frequency	60 Hz	Current	SF 3.2-3.0/1.5 A
Duty	Continuous	Insulation Class	B
UL	Recognized	CSA	Y
Number of Speeds	1		

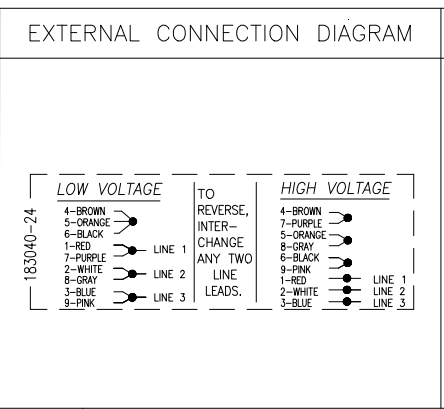
Technical Specifications

Electrical Type	Polyphase, Induction Type, Single Or Dual Voltage	Starting Method	Across The Line
Poles	2	Rotation	Reversible Clockwise
Mounting	Round	Motor Orientation	Horizontal
Drive End Bearing	Ball	Opp Drive End Bearing	Ball
Frame Material	Rolled Steel	Shaft Type	1/2 Thread
Overall Length	12.20 in	Frame Length	7.75 in
Shaft Diameter	0.625 in	Shaft Extension	0.91 in
Connection Drawing	18304024.PCX	Outline Drawing	H491-S01

This is an uncontrolled document once printed or downloaded and is subject to change without notice. Date Created:10/14/2024



NAMEPLATE DATA	
MODEL: 165363	SF: 1.90
CUST PN: H491	
HP: 1/2	
ROT: RCW	
RPM: 3450	
TYPE: SC	CODE: N
FORM: -	FRAME: Y56Y
VOLTS: 208-230/460	
AMPS: SF-3.2-3.0/1.5	
MAX AMPS: -	
SF AMPS: -	
PH: 3	HZ: 60
INS: B	AMB: 50°C
DUTY: CONT	
ENCLOSURE: ODP	
THERMALLY-PROTECTED	



NOTES

- FOR THREADED SHAFT EXT. MATING PARTS SHOULD BE RELIEVED ONE THREAD TO CLEAR FILLET.
- END PLAY NOT TO EXCEED .010[.25] MEASURED WITH NO THRUST.
- ALL DIMENSIONS SHOWN IN PARENTHESIS ARE REFERENCE DIMENSIONS.
- FINISH PAINT TO BE BLACK.

PERFORMANCE CURVE	APPROVED SAMPLE		
16360121	-		
UL COMPONENT	CSA		
FILE#	CCN#	FILE#	GUIDE#
E44549	PRGY2	LR4642	4211-01
CUSTOMER	DISTRIBUTION		

DRAWING REVISION	REVISION BY	DATE	TOLERANCES UNLESS OTHERWISE SPECIFIED	DRAWN BY:
H	S JIMENEZ	10-8-2024	DEC. INCH mm ANGLE	CHERRY Z.
ECO	APPROVED BY	DATE	.XX ±0.1 [±2.5]	DATE:
ECR-0237225	S JIMENEZ	10-8-2024	.XXX ±0.02 [±0.51]	11-15-2010
SEE ECR			.XXX ±0.005 [±0.127]	APPROVED BY:
			.XXX ±0.0005 [±0.0127]	BADCHENG S.
			REMOVE BURRS & BREAK SHARP EDGES .003/.015 [0.076/.381]	DATE:
			CORNER FILLETS .02 [0.51]	11-15-2010
			MACHINED SURFACES 125 mm 32	REFERENCE
			mm SHOWN IN [BRACKETS]	MATERIAL
<small>PROPRIETARY AND CONFIDENTIAL INFORMATION - THIS DOCUMENT IS THE PROPERTY OF REGAL BELOIT AMERICA, INC. COMPANY AND CONTAINS OWNERS PROPRIETARY INFORMATION. ANY PERSON, CORPORATION OR OTHER FIRM RECEIVING IT IS EXEMPTED BY RECEIVING IT, TO AGREE THAT IT, AND/OR ANY PART OF IT, SHALL NOT BE DISCLOSED TO ANY PERSON, CORPORATION OR OTHER ENTITY, DUPLICATED, AND/OR USED, EXCEPT AS EXPRESSLY APPROVED IN WRITING IN ADVANCE BY OWNER. THIS DOCUMENT SHALL BE RETURNED TO OWNER UPON REQUEST. IT MAY BE SUBJECT TO CERTAIN RESTRICTIONS UNDER APPLICABLE EXPORT CONTROL LAWS AND REGULATIONS.</small>			Regal Beloit America, Inc.	DESCRIPTION
			THIRD ANGLE PROJECTION	MODEL-CFHP-56FR
			SIZE DWG NO	OUTLINE
			H491	PROCESS/FINISH
			SHEET	1