

PRODUCT INFORMATION PACKET



Model No: H506
Catalog No: H506

General Purpose Pump Motor, 1.0 HP, 3 Ph, 60 Hz, 208-230/460 V, 3600 RPM, L56J Frame, DP



Regal and Century are trademarks of Regal Rexnord Corporation or one of its affiliated companies.
©2023 Regal Rexnord Corporation, All Rights Reserved. MC017097E





Nameplate Specifications

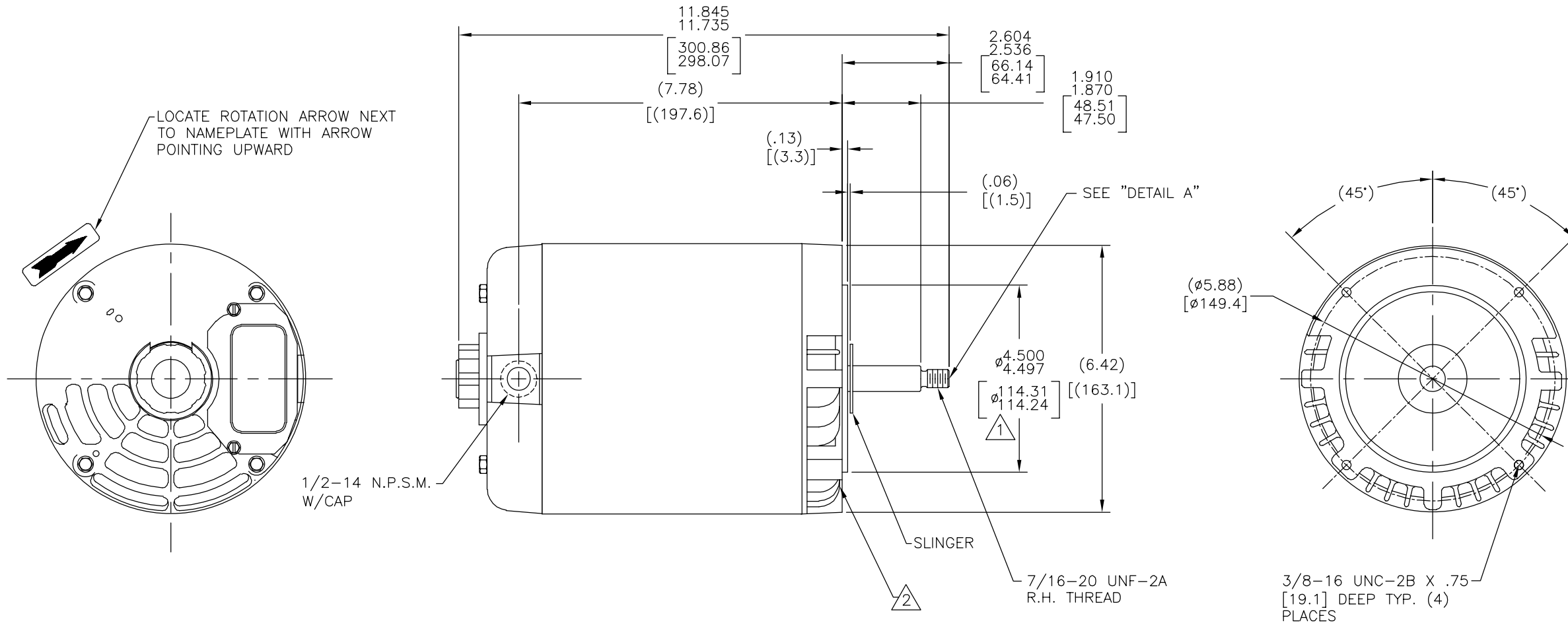
Output HP	1.0 Hp	Output KW	0.75 kW
Frequency	60 Hz	Voltage	208-230/460 V
Current	SF 4.3-4.0/2.0 A	Speed	3450/2850 rpm
Service Factor	1.4	Phase	3
Duty	Continuous	Insulation Class	B
Frame	L56J	Enclosure	Drip Proof
Thermal Protection	No Protection	Ambient Temperature	40 °C
UL	Recognized	CSA	Y
CE	N	Number of Speeds	1

Technical Specifications

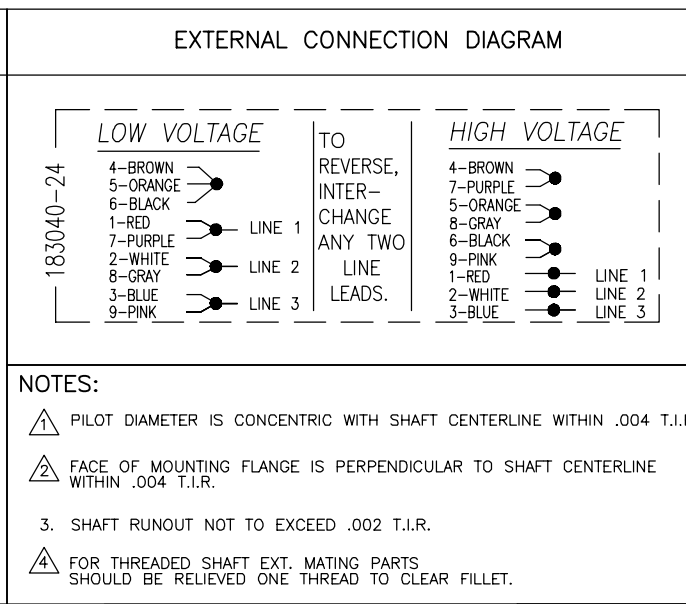
Electrical Type	Polyphase, Induction Type, Single Or Dual Voltage	Starting Method	Across The Line
Poles	2	Rotation	Reversible Clockwise
Mounting	Round	Drive End Bearing	Ball
Opp Drive End Bearing	Ball	Frame Material	Rolled Steel
Shaft Type	Threaded	Overall Length	11.85 in
Frame Length	6.25 in	Shaft Diameter	0.625 in
Shaft Extension	2.60 in		
Connection Drawing	18304024.PCX	Outline Drawing	12687-004

This is an uncontrolled document once printed or downloaded and is subject to change without notice. Date Created:03/13/2023

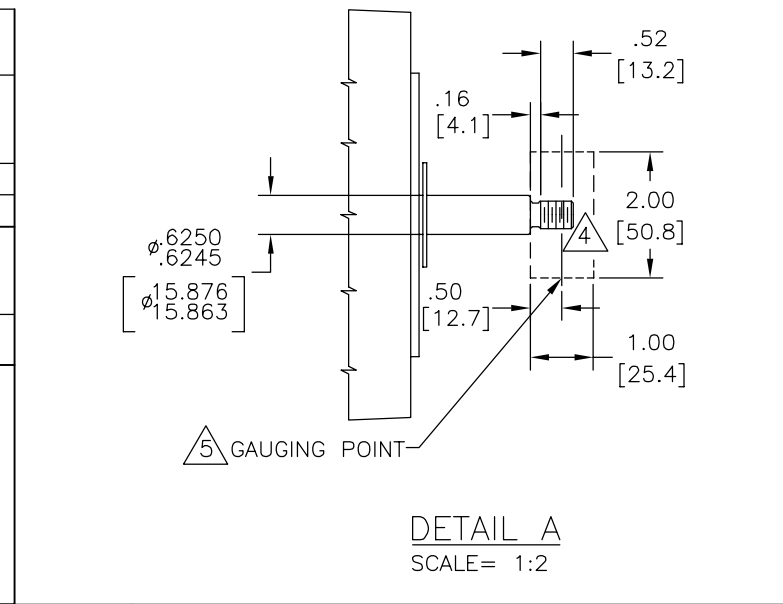
REV	ECO	REV BY	DATE	APPD	DATE
B	ECO-0023680	J. COX	12-09-2011	.	.



NAMEPLATE DATA
MODEL: 187143 CUST. P/N: H506 HP: 1.0 SF: 1.40 ROT: RCW RPM: 3450/2850 TYPE: SC CODE: L FRAME: L 56 J VOLTS: 208-230/460 AMPS: SF 4.3-4.0/2.0 MAX AMPS: PH: 3 HZ: 60/50 INS: B AMB: 40°C DUTY: CONT



PERFORMANCE CURVE NO.	APPROVED SAMPLE OR REF. MODEL
18098621	
UL COMPONENT	
FILE#	CCN#
E44549	PRGY2
ENCLOSURE: ODP	
CUSTOMER: DISTRIBUTION	



- NOTES:
- 1. PILOT DIAMETER IS CONCENTRIC WITH SHAFT CENTERLINE WITHIN .004 T.I.R.
 - 2. FACE OF MOUNTING FLANGE IS PERPENDICULAR TO SHAFT CENTERLINE WITHIN .004 T.I.R.
 - 3. SHAFT RUNOUT NOT TO EXCEED .002 T.I.R.
 - 4. FOR THREADED SHAFT EXT. MATING PARTS SHOULD BE RELIEVED ONE THREAD TO CLEAR FILLET.
 - 5. FOR THREADER SHAFT EXT. ECCENTRICITY OF THREADED PORTION OF SHAFT IS HELD WITHIN .004 TOTAL GAGE READING WITH THE INDICATOR ON O.D. OF GROUND RING AS SHOWN. THE GAGE BEING STATIONARY WITH RESPECT TO THE ROTOR.
 - 6. END PLAY NOT TO EXCEED .010 MEASURED WITH NO THRUST
 - 7. ALL DIMENSIONS SHOWN IN PARENTHESIS ARE REFERENCE DIMENSIONS.

GEOMETRIC CHARACTERISTICS & SYMBOLS
□ FLATNESS — STRAIGHTNESS ∠ ANGULARITY ⊥ PERPENDICULARITY (SQUARENESS) ∥ PARALLELISM ○ ROUNDNESS (CIRCULARITY) ∅ CYLINDRICITY ∩ PROFILE OF ANY SURFACE ∩ PROFILE OF ANY LINE ∩ RUNOUT ⊕ TRUE POSITION ⊙ CONCENTRICITY ≡ SYMMETRY

UNLESS OTHERWISE SPECIFIED DIM. TOLERANCES ARE AS FOLLOWS:
INCH X XX XXX XXXX ±.1 ±.02 ±.005 ±.0005 mm ±0.5 ±0.13 ±0.013 ANG. ±.50 DEG REMOVE BURRS & BREAK SHARP EDGES: INCH .003-.015 mm 0.1-0.4 CORNER FILLETS TO: INCH .020 mm 0.5 MACHINE SURFACES: INCH 125 mm 3.2

DR BY:	KHR
APPD:	09-08-2005
EDS DATE	11-11-2011
FORMAT REV	G

THIRD ANGLE PROJECTION

CONFIDENTIAL: THIS DRAWING AND ITS INFORMATION ARE THE EXCLUSIVE AND CONFIDENTIAL PROPERTY OF REGAL-BELOIT CORPORATION AND ARE NOT TO BE DISCLOSED, DUPLICATED, DISTRIBUTED OR OTHERWISE USED WITHOUT THE WRITTEN CONSENT OF REGAL-BELOIT CORPORATION. -ALL RIGHTS RESERVED.

DESCRIPTION	
MODEL-CFHP-56FR OUTLINE	
SIZE	DWG NO
C	12687-004
SCALE	SHEET
NONE	1

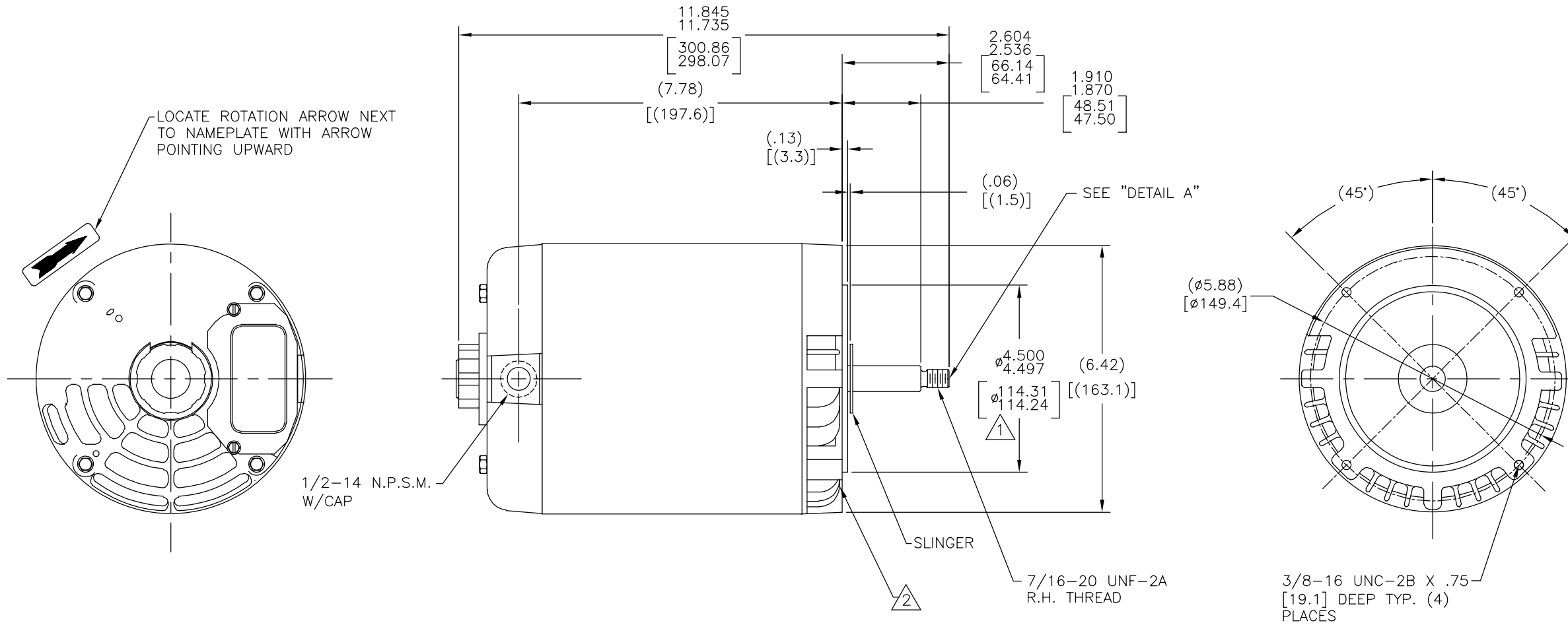
4

3

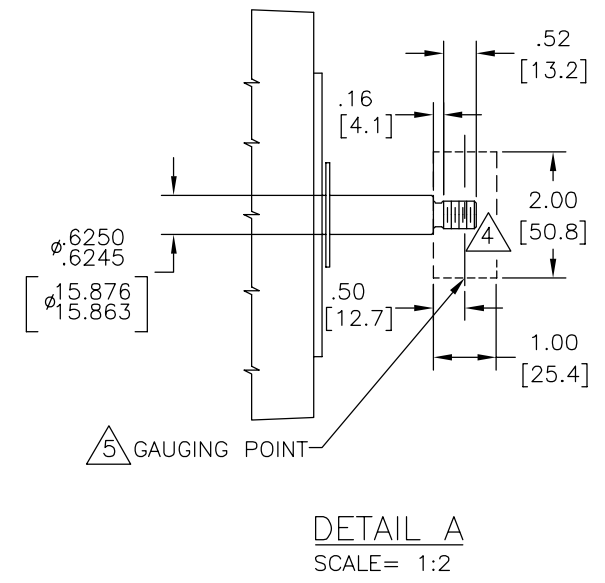
2

1

REVISION:	ECO	REVISADO POR:	FECHA:	APROBADO POR:	FECHA:
B	ECO-0023680	J. COX	12-09-2011	.	.



NAMEPLATE DATA	EXTERNAL CONNECTION DIAGRAM	PERFORMANCE CURVE NO.	APPROVED SAMPLE OR REF. MODEL				
MODEL: 187143 CUST. P/N: H506 HP: 1.0 SF: 1.40 ROT: RCW RPM: 3450/2850 TYPE: SC CODE: L FRAME: L 56 J VOLTS: 208-230/460 AMPS: SF 4.3-4.0/2.0 MAX AMPS: PH: 3 HZ: 60/50 INS: B AMB: 40°C DUTY: CONT	<table border="0"> <tr> <td style="vertical-align: middle;">183040-24</td> <td> LOW VOLTAGE 4-BROWN 5-ORANGE 6-BLACK 1-RED 7-PURPLE 2-WHITE 8-GRAY 3-BLUE 9-PINK LINE 1 LINE 2 LINE 3 </td> <td> TO REVERSE, INTER-CHANGE ANY TWO LINE LEADS. </td> <td> HIGH VOLTAGE 4-BROWN 7-PURPLE 5-ORANGE 8-GRAY 6-BLACK 9-PINK 1-RED 2-WHITE 3-BLUE LINE 1 LINE 2 LINE 3 </td> </tr> </table>	183040-24	LOW VOLTAGE 4-BROWN 5-ORANGE 6-BLACK 1-RED 7-PURPLE 2-WHITE 8-GRAY 3-BLUE 9-PINK LINE 1 LINE 2 LINE 3	TO REVERSE, INTER-CHANGE ANY TWO LINE LEADS.	HIGH VOLTAGE 4-BROWN 7-PURPLE 5-ORANGE 8-GRAY 6-BLACK 9-PINK 1-RED 2-WHITE 3-BLUE LINE 1 LINE 2 LINE 3	18098621	
183040-24	LOW VOLTAGE 4-BROWN 5-ORANGE 6-BLACK 1-RED 7-PURPLE 2-WHITE 8-GRAY 3-BLUE 9-PINK LINE 1 LINE 2 LINE 3	TO REVERSE, INTER-CHANGE ANY TWO LINE LEADS.	HIGH VOLTAGE 4-BROWN 7-PURPLE 5-ORANGE 8-GRAY 6-BLACK 9-PINK 1-RED 2-WHITE 3-BLUE LINE 1 LINE 2 LINE 3				
		UL COMPONENT	CSA				
		FILE#	CCN#				
		E44549	PRGY2				
		FILE#	CLASS#				
		LR4642	4211-01				
		ENCLOSURE: ODP	CUSTOMER: DISTRIBUTION				
NOTES: 1. PILOT DIAMETER IS CONCENTRIC WITH SHAFT CENTERLINE WITHIN .004 T.I.R. 2. FACE OF MOUNTING FLANGE IS PERPENDICULAR TO SHAFT CENTERLINE WITHIN .004 T.I.R. 3. SHAFT RUNOUT NOT TO EXCEED .002 T.I.R. 4. FOR THREADED SHAFT EXT. MATING PARTS SHOULD BE RELIEVED ONE THREAD TO CLEAR FILLET. 5. FOR THREADER SHAFT EXT. ECCENTRICITY OF THREADED PORTION OF SHAFT IS HELD WITHIN .004 TOTAL GAGE READING WITH THE INDICATOR ON O.D. OF GROUND RING AS SHOWN. THE GAGE BEING STATIONARY WITH RESPECT TO THE ROTOR. 6. END PLAY NOT TO EXCEED .010 MEASURED WITH NO THRUST 7. ALL DIMENSIONS SHOWN IN PARENTHESIS ARE REFERENCE DIMENSIONS.							



CARACTERISTICAS DE GEOMETRIA Y SIMBOLOS ▽ PLANICIDAD - RECTITUD < ANGULARIDAD ⊥ PERPENDICULARIDAD (A ESCUADRA) // PARALELISMO ○ REDONDEZ (CIRCULARIDAD) ∅ CILINDRICIDAD △ PERFIL DE CUALQUIER SUPERFICIE ▲ PERFIL DE CUALQUIER LINEA ↗ VARIACION ⊕ POSICION REAL ⊙ CONCENTRICIDAD = SIMETRIA ASME Y14.5M 1994	A MENOS QUE SE ESPECIFIQUE DE OTRA MANERA, LAS TOLERANCIAS DE LAS DIMS; SON LAS SIGUIENTES: PULG ±.1 ±.02 ±.005 ±.0005 mm ±0.5 ±0.13 ±0.013 ANG. ±.50 GRADOS ELIMINAR REBABAS Y ORILLAS FILOSAS DEL BORDE. PULG .003-.015 mm 0.1-0.4 FILETEAR ESQUINA: PULG .020 mm 0.5 MAQUINAR SUPERFICIES PULG 125 mm 3.2 DIMS METRICAS MOSTRADAS [PARENTESIS]	DIBUJADO POR: KHR 09-08-2005	REGAL-BELOIT CORPORATION DESCRIPCION: MODEL-CFHP-56FR OUTLINE TAMAÑO: C NUMERO DE DIBUJO: 12687-004 ESCALA: NONE HOJA: 1	
		APROBADO POR:		FECHA EDS: 11-11-2011 REV. FORMATO: G
		TERCER ANGULO DE PROYECCION		CONFIDENCIAL: ESTE DIBUJO Y SU INFORMACION SON PROPIEDAD DE USO EXCLUSIVO Y CONFIDENCIAL DE REGAL-BELOIT CORPORATION. Y NO DEBERAN SER REVELADOS, DUPLICADOS, DISTRIBUIDOS O USARSE DE OTRA MANERA SIN EL CONSENTIMIENTO ESCRITO DE REGAL-BELOIT CORPORATION. -TODOS LOS DERECHOS RESERVADOS.

4

3

2

1

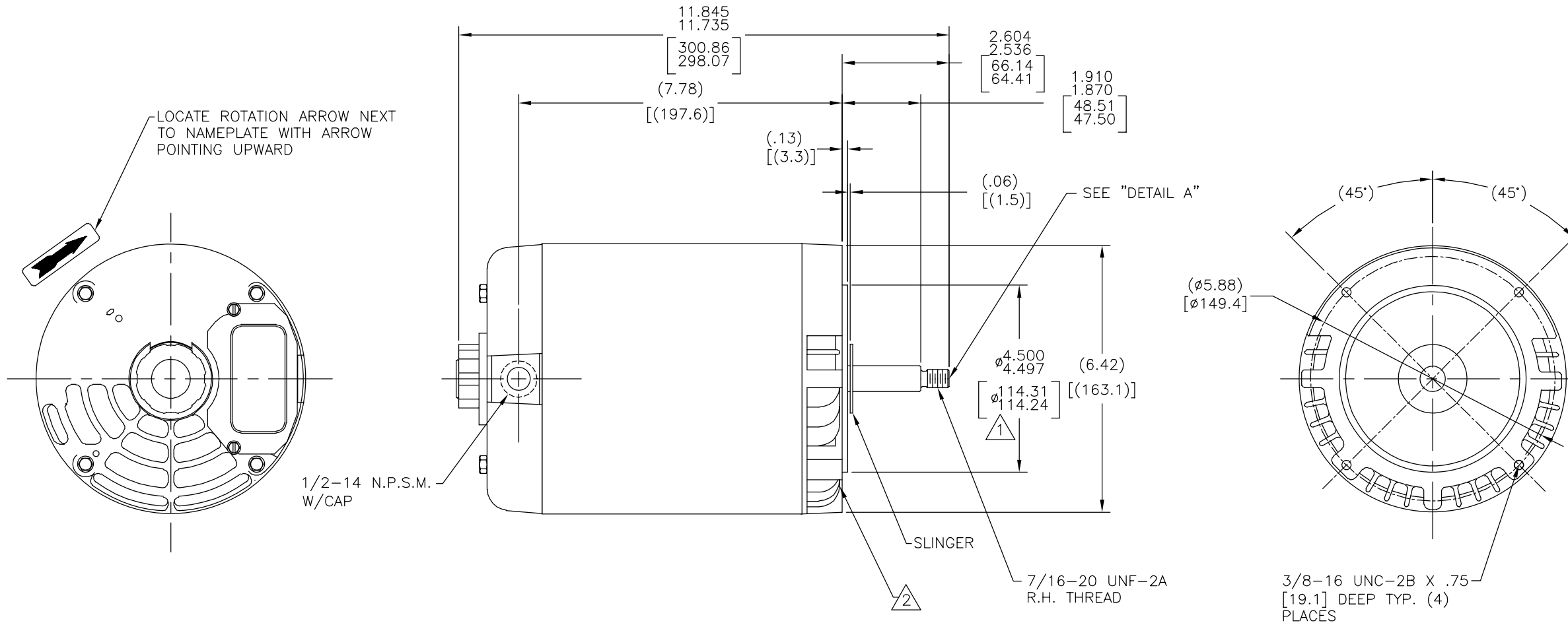
4

3

2

1

版本	ECO	编制	日期	批准	日期
B	ECO-0023680	J. COX	12-09-2011	.	.



NAMEPLATE DATA	EXTERNAL CONNECTION DIAGRAM	PERFORMANCE CURVE NO.	APPROVED SAMPLE OR REF. MODEL				
MODEL: 187143 CUST. P/N: H506 HP: 1.0 SF: 1.40 ROT: RCW RPM: 3450/2850 TYPE: SC CODE: L FRAME: L 56 J VOLTS: 208-230/460 AMPS: SF 4.3-4.0/2.0 MAX AMPS: PH: 3 HZ: 60/50 INS: B AMB: 40°C DUTY: CONT	<table border="0"> <tr> <td style="vertical-align: middle;">183040-24</td> <td> LOW VOLTAGE 4-BROWN 5-ORANGE 6-BLACK 1-RED 7-PURPLE 2-WHITE 8-GRAY 3-BLUE 9-PINK LINE 1 LINE 2 LINE 3 </td> <td> TO REVERSE, INTER-CHANGE ANY TWO LINE LEADS. </td> <td> HIGH VOLTAGE 4-BROWN 7-PURPLE 5-ORANGE 8-GRAY 6-BLACK 9-PINK 1-RED 2-WHITE 3-BLUE LINE 1 LINE 2 LINE 3 </td> </tr> </table>	183040-24	LOW VOLTAGE 4-BROWN 5-ORANGE 6-BLACK 1-RED 7-PURPLE 2-WHITE 8-GRAY 3-BLUE 9-PINK LINE 1 LINE 2 LINE 3	TO REVERSE, INTER-CHANGE ANY TWO LINE LEADS.	HIGH VOLTAGE 4-BROWN 7-PURPLE 5-ORANGE 8-GRAY 6-BLACK 9-PINK 1-RED 2-WHITE 3-BLUE LINE 1 LINE 2 LINE 3	18098621	
183040-24	LOW VOLTAGE 4-BROWN 5-ORANGE 6-BLACK 1-RED 7-PURPLE 2-WHITE 8-GRAY 3-BLUE 9-PINK LINE 1 LINE 2 LINE 3	TO REVERSE, INTER-CHANGE ANY TWO LINE LEADS.	HIGH VOLTAGE 4-BROWN 7-PURPLE 5-ORANGE 8-GRAY 6-BLACK 9-PINK 1-RED 2-WHITE 3-BLUE LINE 1 LINE 2 LINE 3				
		UL COMPONENT	CSA				
		FILE#	CCN#				
		E44549	PRGY2				
		FILE#	CLASS#				
		LR4642	4211-01				
		ENCLOSURE: ODP	CUSTOMER: DISTRIBUTION				

NOTES:

1. PILOT DIAMETER IS CONCENTRIC WITH SHAFT CENTERLINE WITHIN .004 T.I.R.

2. FACE OF MOUNTING FLANGE IS PERPENDICULAR TO SHAFT CENTERLINE WITHIN .004 T.I.R.

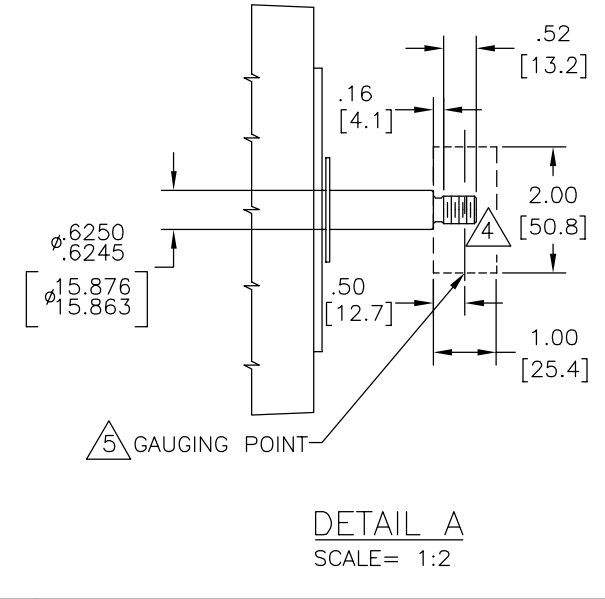
3. SHAFT RUNOUT NOT TO EXCEED .002 T.I.R.

4. FOR THREADED SHAFT EXT. MATING PARTS SHOULD BE RELIEVED ONE THREAD TO CLEAR FILLET.

5. FOR THREADER SHAFT EXT. ECCENTRICITY OF THREADED PORTION OF SHAFT IS HELD WITHIN .004 TOTAL GAGE READING WITH THE INDICATOR ON O.D. OF GROUND RING AS SHOWN. THE GAGE BEING STATIONARY WITH RESPECT TO THE ROTOR.

6. END PLAY NOT TO EXCEED .010 MEASURED WITH NO THRUST

7. ALL DIMENSIONS SHOWN IN PARENTHESIS ARE REFERENCE DIMENSIONS.



形位公差 □ 平面度 — 直线度 < 倾斜度 ⊥ 垂直度 // 平行度 ○ 圆度 ⊙ 圆柱度 ⊖ 面轮廓度 △ 线轮廓度 ⤴ 圆跳动 ⊕ 位置度 ⊗ 同轴度 ≡ 对称度	除另有注明 尺寸公差如下: 英寸 X XX XXX XXXX 毫米 ±0.1 ±0.02 ±0.005 ±0.0005 毫米 ±0.5 ±0.13 ±0.013 角度 ±.50 度 清理毛刺和尖棱 英寸 .003-.015 毫米 0.1-0.4 内圆角 英寸 .020 毫米 0.5 表面粗糙度 英制 125 米制 3.2 米制尺寸显示在 []	绘图: KHR 批准: 第三角投影 图纸格式发布日期 11-11-2011 图纸格式版本 G 机密: 本图纸及相关信息所有权归REGAL-BELOIT CORPORATION 未经REGAL-BELOIT CORPORATION书面授权, 不得泄露、 复制、传播或作其他用途。—版权所有	名称 MODEL-CFHP-56FR OUTLINE 图幅 C 图号 12687-004 比例 NONE 页号 1
---	---	--	---

4

3

2

1