

# PRODUCT INFORMATION PACKET



Model No: H511ES  
Catalog No: H511ES  
General Purpose Motor, 1.0 HP, 3 Ph, 60 Hz, 230/460 V, 3600 RPM, 56C Frame, ODP



Regal and Century are trademarks of Regal Rexnord Corporation or one of its affiliated companies.

©2023 Regal Rexnord Corporation, All Rights Reserved. MC017097E





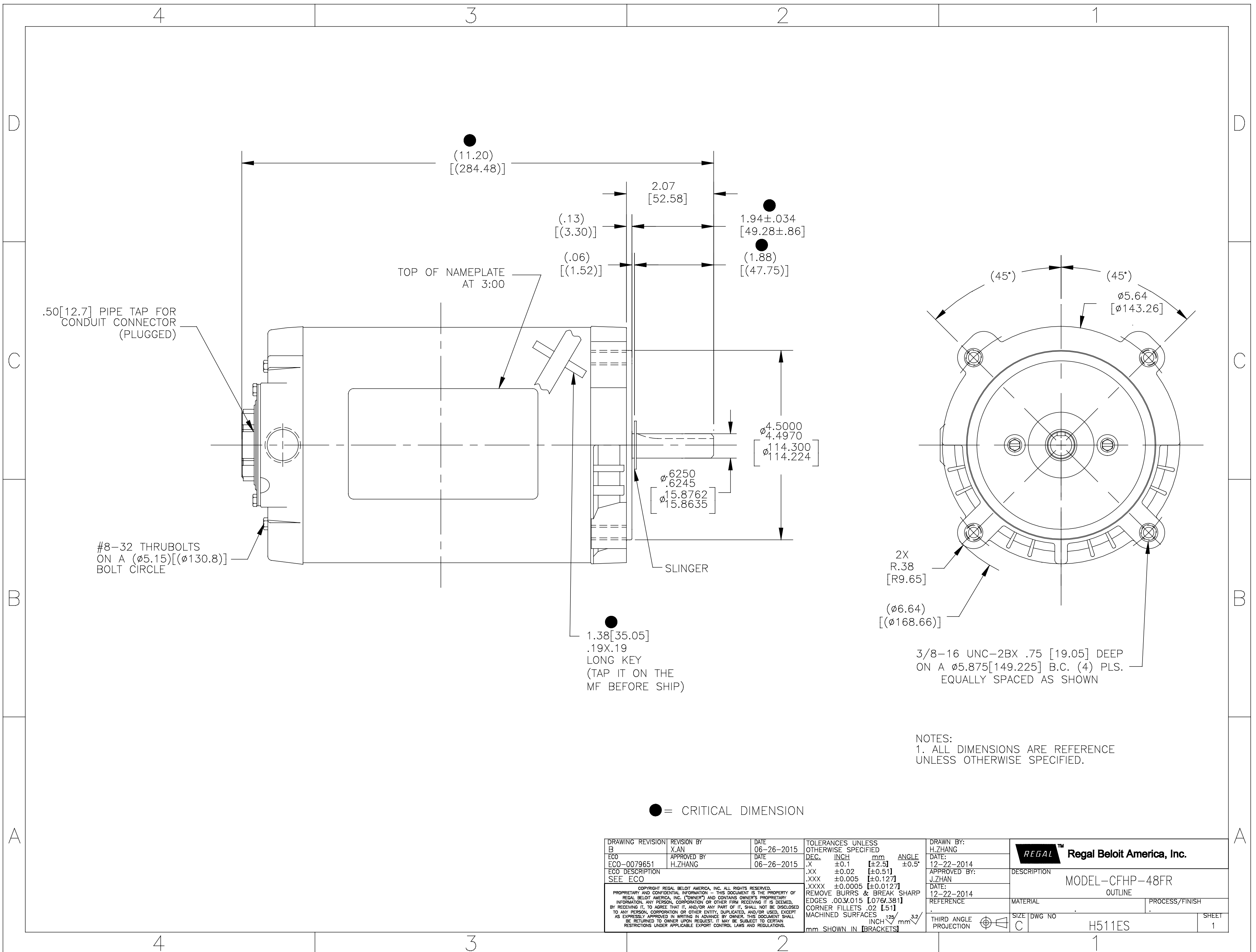
**Nameplate Specifications**

Output HP	1.0 Hp	Output KW	0.75 kW
Frequency	60 Hz	Voltage	230/460 V
Current	3.0/1.5 A	Speed	3450 rpm
Service Factor	1.4	Phase	3
Efficiency	77 %	Duty	Continuous
Insulation Class	B	Frame	56C
Enclosure	Open Drip Proof	Thermal Protection	No Protection
Ambient Temperature	40 °C	UL	Recognized
CSA	N	CE	Y
Number of Speeds	1		

**Technical Specifications**

Electrical Type	Polyphase, Induction Type, Single Or Dual Voltage	Starting Method	Across The Line
Poles	2	Rotation	Clockwise/Counterclockwise
Mounting	Round	Drive End Bearing	Ball
Opp Drive End Bearing	Ball	Frame Material	Rolled Steel
Shaft Type	Keyed	Overall Length	11.20 in
Frame Length	6.81 in	Shaft Diameter	0.625 in
Shaft Extension	2.07 in		
Connection Drawing	D0000283-001	Outline Drawing	H511ES-S01

This is an uncontrolled document once printed or downloaded and is subject to change without notice. Date Created:03/15/2023



DRAWING REVISION B	REVISION BY X.AN	DATE 06-26-2015	TOLERANCES UNLESS OTHERWISE SPECIFIED DEC. INCH mm ANGLE .XX ±0.1 [±2.5] ±0.5° .XX ±0.02 [±0.51] .XXX ±0.005 [±0.127] .XXXX ±0.0005 [±0.0127]	DRAWN BY: H.ZHANG	<b>Regal Beloit America, Inc.</b>
ECO-0079651	APPROVED BY H.ZHANG	DATE 06-26-2015	REMOVE BURRS & BREAK SHARP EDGES .003/.015 [0.076/.381] CORNER FILLETS .02 [.51] MACHINED SURFACES 125 INCH 3.2 mm SHOWN IN [BRACKETS]	DATE: 12-22-2014	
ECO DESCRIPTION SEE ECO				APPROVED BY: J.ZHAN	DESCRIPTION MODEL-CFHP-48FR OUTLINE
<small>COPYRIGHT REGAL BELOIT AMERICA, INC. ALL RIGHTS RESERVED. PROPRIETARY AND CONFIDENTIAL INFORMATION - THIS DOCUMENT IS THE PROPERTY OF REGAL BELOIT AMERICA, INC. (OWNERS) AND CONTAINS OWNERS PROPRIETARY INFORMATION. ANY PERSON, CORPORATION OR OTHER FIRM RECEIVING IT IS DEEMED, BY RECEIVING IT, TO AGREE THAT IT, AND/OR ANY PART OF IT, SHALL NOT BE DISCLOSED TO ANY PERSON, CORPORATION OR OTHER ENTITY, DUPLICATED, AND/OR USED, EXCEPT AS EXPRESSLY APPROVED IN WRITING IN ADVANCE BY OWNER. THIS DOCUMENT SHALL BE RETURNED TO OWNER UPON REQUEST. IT MAY BE SUBJECT TO CERTAIN RESTRICTIONS UNDER APPLICABLE EXPORT CONTROL LAWS AND REGULATIONS.</small>				DATE: 12-22-2014	MATERIAL
				REFERENCE	PROCESS/FINISH
				THIRD ANGLE PROJECTION	SIZE DWG NO C H511ES
					SHEET 1

4

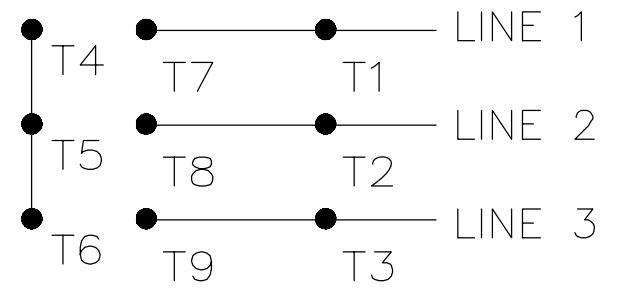
3

2

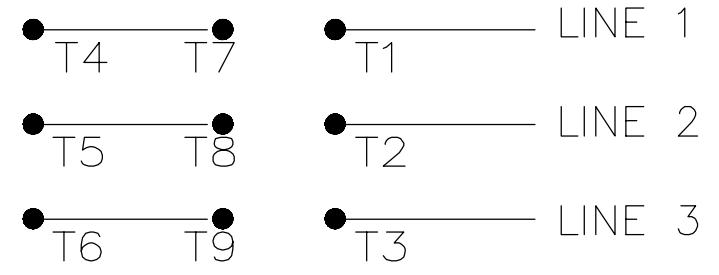
1

REV	ECO	REV BY	DATE	APPD	DATE
A	0016784	R.RASCON	10-12-2010	D.JUAREZ	10-12-2010

LOW VOLTAGE



HIGH VOLTAGE



TO REVERSE ROTATION FOR EITHER VOLTAGE, INTERCHANGE ANY 2 LINE LEADS

NOTES:

1. DATTED BOX REPRESENTS TOTAL PRINTED AREA ALLOWED FOR CONNECTION DIAGRAM TO FIT IN (.75[19.1] X 2.13[54.1]) SEE NAMEPLATE DRAWING 170500 OR 170501 FOR LOCATION.
2. CHARACTERS ARE TO BE A MINIMUM OF .03[.8] TO .06[1.5] MAXIMUM IN HEIGHT.
3. DETAILS ARE NOT TO BE COPIED FROM DRAWING, BUT ARE TO BE REPRODUCED FROM ORIGINAL ARTWORK FURNISHED.

GEOMETRIC CHARACTERISTICS & SYMBOLS

- ▮ FLATNESS
- STRAIGHTNESS
- ∠ ANGULARITY
- ⊥ PERPENDICULARITY (SQUARENESS)
- // PARALLELISM
- ROUNDNESS (CIRCULARITY)
- ⊘ CYLINDRICITY
- △ PROFILE OF ANY SURFACE
- ∩ PROFILE OF ANY LINE
- ↗ RUNOUT
- ⊕ TRUE POSITION
- ◎ CONCENTRICITY
- ≡ SYMMETRY

UNLESS OTHERWISE SPECIFIED  
DIM. TOLERANCES ARE AS FOLLOWS:

	X	XX	XXX	XXXX
INCH	±.1	±.02	±.005	±.0005
mm	±0.5	±0.13	±0.013	

ANG. ±.50 DEG  
REMOVE BURRS & BREAK SHARP EDGES:  
INCH .003-.015 mm 0.1-0.4  
CORNER FILLETS TO:  
INCH .020 mm 0.5  
MACHINE SURFACES:  
INCH 125 mm 3.2

METRIC DIMS. SHOWN IN [BRACKETS]

DR BY:	R.RASCON	10-12-2010
APPD:	D.JUAREZ	10-12-2010
THIRD ANGLE PROJECTION		EDS DATE 02-22-2008 FORMAT REV F
CONFIDENTIAL: THIS DRAWING AND ITS INFORMATION ARE THE EXCLUSIVE AND CONFIDENTIAL PROPERTY OF A.O. SMITH CORP. AND ARE NOT TO BE DISCLOSED, DUPLICATED, DISTRIBUTED OR OTHERWISE USED WITHOUT THE WRITTEN CONSENT OF A.O. SMITH CORP. -ALL RIGHTS RESERVED. ASME Y14.5M 1994		



**ELECTRICAL PRODUCTS COMPANY**  
A DIVISION OF A. O. SMITH CORPORATION

DESCRIPTION		CONN DIAGRAM-NAMEPLATE	
SIZE	B	DWG NO	D0000283-001
SCALE	NONE	SHEET	1

4

3

2

1

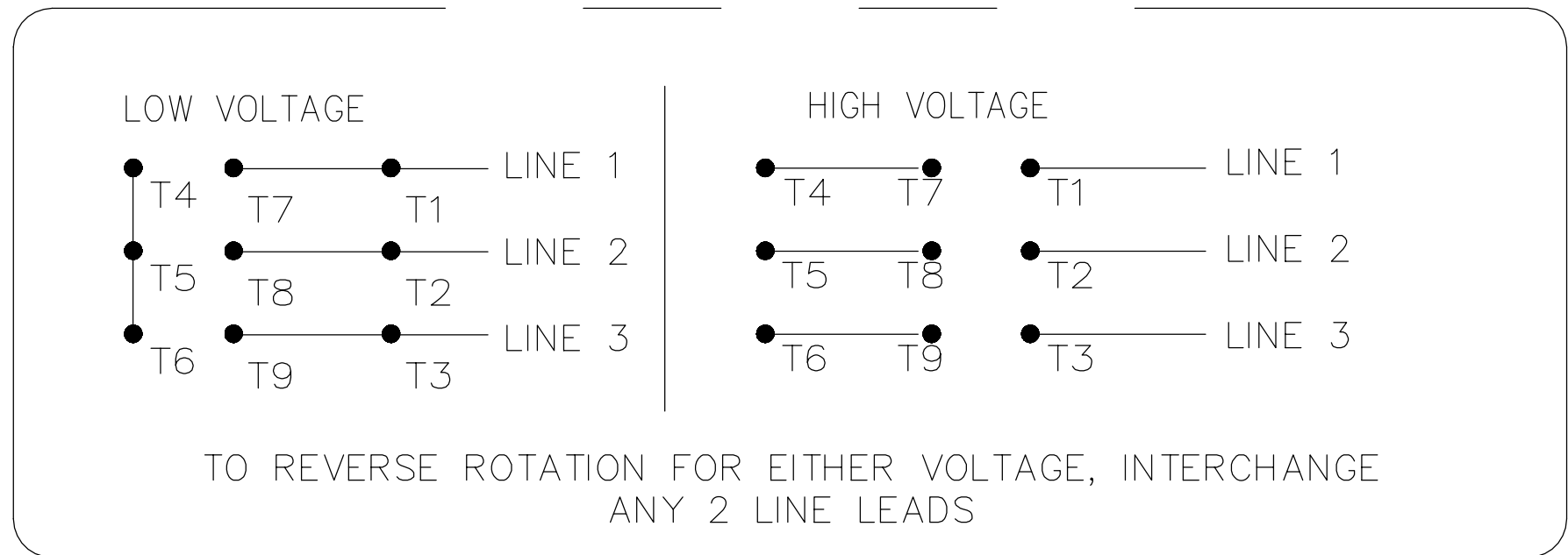
4

3

2

1

REVISION:	ECO	REVISADO POR:	FECHA:	APROBADO POR:	FECHA:
A	0016784	R.RASCON	10-12-2010	D.JUAREZ	10-12-2010



NOTAS:

1. LA CAJA PUNTEADA REPRESENTA EL TOTAL DEL AREA IMPRESA TOTAL PERMITIDA PARA UN DIAGRAMA DE CONEXION PA5A ANCAJAR EN (.75[19.1] X 2.13 [54.1]) VER EL DIBUJO DE LA PLACA DE IDENTIFICACION 170500 O 170501 PARA LOCALIZACION.
2. LOS CARACTERES DEBEN SER DE UN MINIMO DE ALTURA DE .03[.8] A UN MAXIMO DE .06[1.5].
3. LOS DETALLES NO DEBEN SER COPIADOS DEL DIBUJO, SINO DEBEN SER REPRODUCIDOS DE LAS ILUSTRACIONES ORIGINALES EQUIPADAS.

CARACTERISTICAS DE GEOMETRIA Y SIMBOLOS

- ∇ PLANICIDAD
- RECTITUD
- ∠ ANGULARIDAD
- ⊥ PERPENDICULARIDAD (A ESCUADRA)
- // PARALELISMO
- REDONDEZ (CIRCULARIDAD)
- ⊘ CILINDRICIDAD
- ⌒ PERFIL DE CUALQUIER SUPERFICIE
- ⌒ PERFIL DE CUALQUIER LINEA
- ↑ VARIACION
- ⊕ POSICION REAL
- ⊙ CONCENTRICIDAD
- ≡ SIMETRIA

A MENOS QUE SE ESPECIFIQUE DE OTRA MANERA, LAS TOLERANCIAS DE LAS DIMS; SON LAS SIGUIENTES:

PULG  $\begin{matrix} X & XX & XXX & XXXX \\ \pm .1 & \pm .02 & \pm .005 & \pm .0005 \end{matrix}$

mm  $\begin{matrix} \pm 0.5 & \pm 0.13 & \pm 0.013 \end{matrix}$

ANG.  $\pm .50$  GRADOS

ELIMINAR REBABAS Y ORILLAS FILOSAS DEL BORDE.

PULG .003-.015 mm 0.1-0.4

FILETEAR ESQUINA: PULG .020 mm 0.5

MAQUINAR SUPERFICIES

PULG  $\begin{matrix} 125 \\ \sqrt{\phantom{x}} \end{matrix}$  mm  $\begin{matrix} 3.2 \\ \sqrt{\phantom{x}} \end{matrix}$

DIMS METRICAS MOSTRADAS [PARENTESIS]

DIBUJADO POR: R.RASCON	10-12-2010
APROBADO POR: D.JUAREZ	10-12-2010
TERCER ANGULO DE PROYECCION	⊕
CONFIDENCIAL: ESTE DIBUJO Y SU INFORMACION SON PROPIEDAD DE USO EXCLUSIVO Y CONFIDENCIAL DE A.O.SMITH CORP. Y NO DEBERAN SER REVELADOS, DUPLICADOS, DISTRIBUIDOS O USARSE DE OTRA MANERA SIN EL CONSENTIMIENTO ESCRITO DE A.O. SMITH CORP. -TODOS LOS DERECHOS RESERVADOS.ASME Y14.5M 1994	FECHA EDS: 02-22-2008 REV. FORMATO: F

<b>ELECTRICAL PRODUCTS COMPANY</b> <small>A DIVISION OF A. O. SMITH CORPORATION</small>	
DESCRIPCION: CONN DIAGRAM-NAMEPLATE	
TAMAÑO: B	NUMERO DE DIBUJO: D0000283-001
ESCALA: NONE	HOJA: 1

4

3

2

1

4

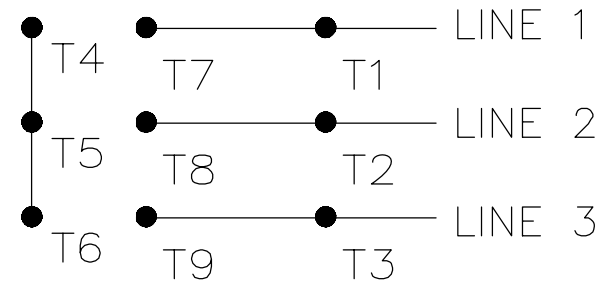
3

2

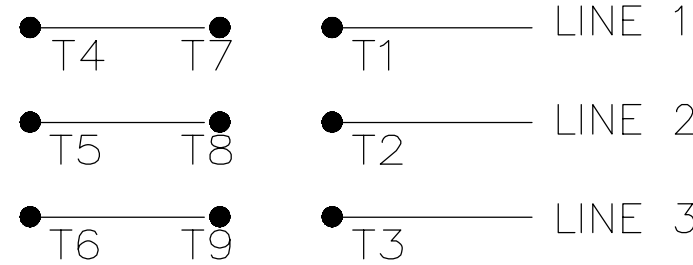
1

版本	ECO	编制	日期	批准	日期
A	0016784	R.RASCON	10-12-2010	D.JUAREZ	10-12-2010

LOW VOLTAGE



HIGH VOLTAGE



TO REVERSE ROTATION FOR EITHER VOLTAGE, INTERCHANGE ANY 2 LINE LEADS

B

B

A


A

- 形位公差
- 平面度
- 直线度
- ∠ 倾斜度
- ⊥ 垂直度
- // 平行度
- 圆度
- ∅ 圆柱度
- △ 面轮廓度
- ⌒ 线轮廓度
- ↗ 圆跳动
- ⊕ 位置度
- ◎ 同轴度
- ≡ 对称度

除另有注明  
尺寸公差如下:

	X	XX	XXX	XXXX
英寸	±.1	±.02	±.005	±.0005
毫米	±0.5	±0.13	±0.013	
角度	±.50 度			
清理毛刺和尖棱				
英寸	.003-.015		毫米 0.1-0.4	
内圆角				
英寸	.020		毫米 0.5	
表面粗糙度				
英制	125		米制 3.2	
米制尺寸显示在 [ ]				

绘图:	R.RASCON	10-12-2010
批准:	D.JUAREZ	10-12-2010
第三角投影		图纸格式发布日期 02-22-2008 图纸格式版本 F
机密: 本图纸及相关信息所有权归A. O. SMITH公司所有。未经A. O. SMITH公司书面授权, 不得泄露、复制、传播或作其他用途。--版权所有		
ASME Y14.5M 1994		



**ELECTRICAL PRODUCTS COMPANY**  
A DIVISION OF A. O. SMITH CORPORATION

名称: CONN DIAGRAM-NAMEPLATE

图幅: B	图号: D0000283-001
比例: NONE	页号: 1

4

3

2

1