

PRODUCT INFORMATION PACKET



Model No: H513

Catalog No: H513

Pool Pump Motor, 1.0 HP, 3 Ph, 60 Hz, 208-230/460 V, 3600 RPM, L56C Frame, DP



Regal and Century are trademarks of Regal Rexnord Corporation or one of its affiliated companies.
©2022 Regal Rexnord Corporation, All Rights Reserved. MC017097E





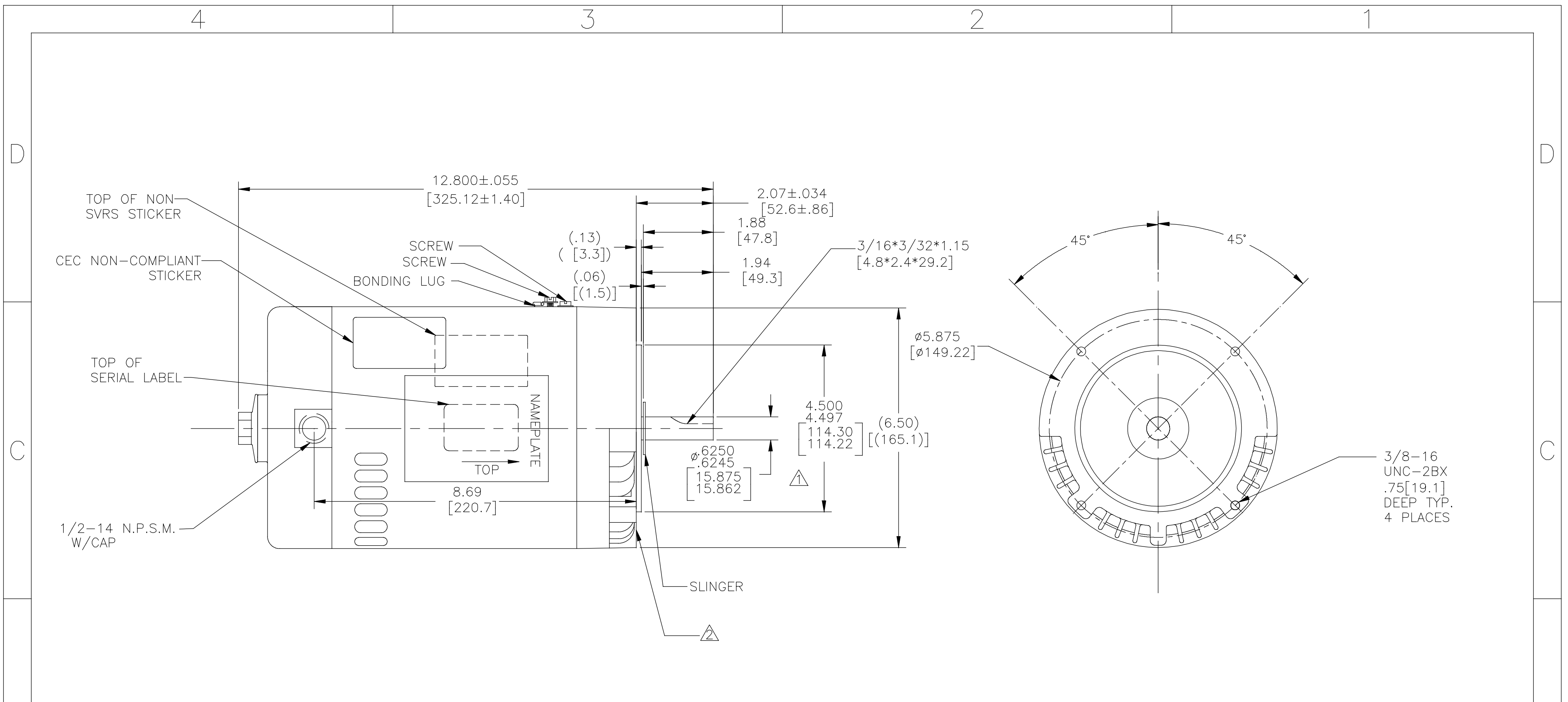
Nameplate Specifications

Output HP	1.0 Hp	Output KW	0.75 kW
Frequency	60 Hz	Voltage	208-230/460 V
Current	3.0-3.2/1.6 A	Speed	3450/2850 rpm
Service Factor	1.4	Phase	3
Duty	Continuous	Insulation Class	A
Frame	L56C	Enclosure	Drip Proof
Thermal Protection	No Protection	Ambient Temperature	40 °C
UL	Recognized	CSA	Y
Number of Speeds	1		

Technical Specifications

Electrical Type	Polyphase, Induction Type, Single Or Dual Voltage	Starting Method	Across The Line
Poles	2	Rotation	Reversible Counterclockwise
Mounting	C Face	Motor Orientation	Horizontal
Drive End Bearing	Ball	Opp Drive End Bearing	Ball
Frame Material	Rolled Steel	Shaft Type	5/8 Keyed
Overall Length	12.62 in	Frame Length	6.25 in
Shaft Diameter	0.625 in	Shaft Extension	2.07 in
Outline Drawing	H513-S01	Connection Drawing	18304024.PCX

This is an uncontrolled document once printed or downloaded and is subject to change without notice. Date Created:11/29/2022



NAMEPLATE DATA	EXTERNAL CONNECTION DIAGRAM	NOTES
MODEL: 151771 CUST PN: H513 HP: 1.0 SF: 1.40 ROT: RCC RPM: 3450/2850 TYPE: SC CODE: M FORM: FRAME: L 56 C VOLTS: 208-230/460 AMPS: 3.0-3.2/1.6 MAX AMPS: SF AMPS: - PH: 3 HZ: 60/50 INS: A AMB: 40°C DUTY: CONT ENCLOSURE: ODP THERMALLY PROTECTED	<p>183040-24</p> <p>LOW VOLTAGE</p> <p>4-BROWN 5-ORANGE 6-BLACK 1-RED 7-PURPLE 2-WHITE 8-GRAY 3-BLUE 9-PINK</p> <p>TO REVERSE, INTER-CHANGE ANY TWO LINE LEADS.</p> <p>HIGH VOLTAGE</p> <p>4-BROWN 7-PURPLE 5-ORANGE 8-GRAY 6-BLACK 9-PINK 1-RED 2-WHITE 3-BLUE</p> <p>LINE 1 LINE 2 LINE 3</p>	<p>▲ PILOT DIAMETER IS CONCENTRIC WITH SHAFT CENTERLINE WITHIN .004 [.10] T.I.R.</p> <p>▲ FACE OF MOUNTING FLANGE IS PERPENDICULAR TO SHAFT CENTERLINE WITHIN .004 [.10] T.I.R.</p> <p>3. SHAFT RUNOUT NOT TO EXCEED .002 [.05] T.I.R.</p> <p>4. END PLAY NOT TO EXCEED .010 [.25] MEASURED WITH NO THRUST</p>

PERFORMANCE CURVE	APPROVED SAMPLE		
12731423			
UL COMPONENT	CSA		
FILE#	CCN#	FILE#	GUIDE#
PENDING	PENDING	LR4642	4211-01
CUSTOMER	DISTRIBUTION		

DRAWING REVISION	REVISION BY	DATE	TOLERANCES UNLESS OTHERWISE SPECIFIED	DRAWN BY:	Regal Beloit America, Inc.
E	P.ROJAS	05-01-2019	DEC. INCH mm ANGLE	TOM ZHAO	
ECO	APPROVED BY	DATE	.XX ±0.1 [±2.5] ±0.5°	DATE:	07-10-2006
ECO-0165900	P.ROJAS	05-01-2019	.XXX ±0.02 [±0.51]	APPROVED BY:	
ECO DESCRIPTION			.XXXX ±0.005 [±0.127]	IDT	
SEE ECO			.XXXX ±0.0005 [±0.0127]	DATE:	07-11-2006
			REMOVE BURRS & BREAK SHARP EDGES .003/.015 [0.076/.381] X 45°	REFERENCE	
			CORNER FILLETS R.02 [51]	MATERIAL	
			MACHINED SURFACES 125/INCH 3.2/mm	PROCESS/FINISH	
			mm SHOWN IN [BRACKETS]	THIRD ANGLE PROJECTION	
				SIZE DWG NO	H513
				SHEET	1