





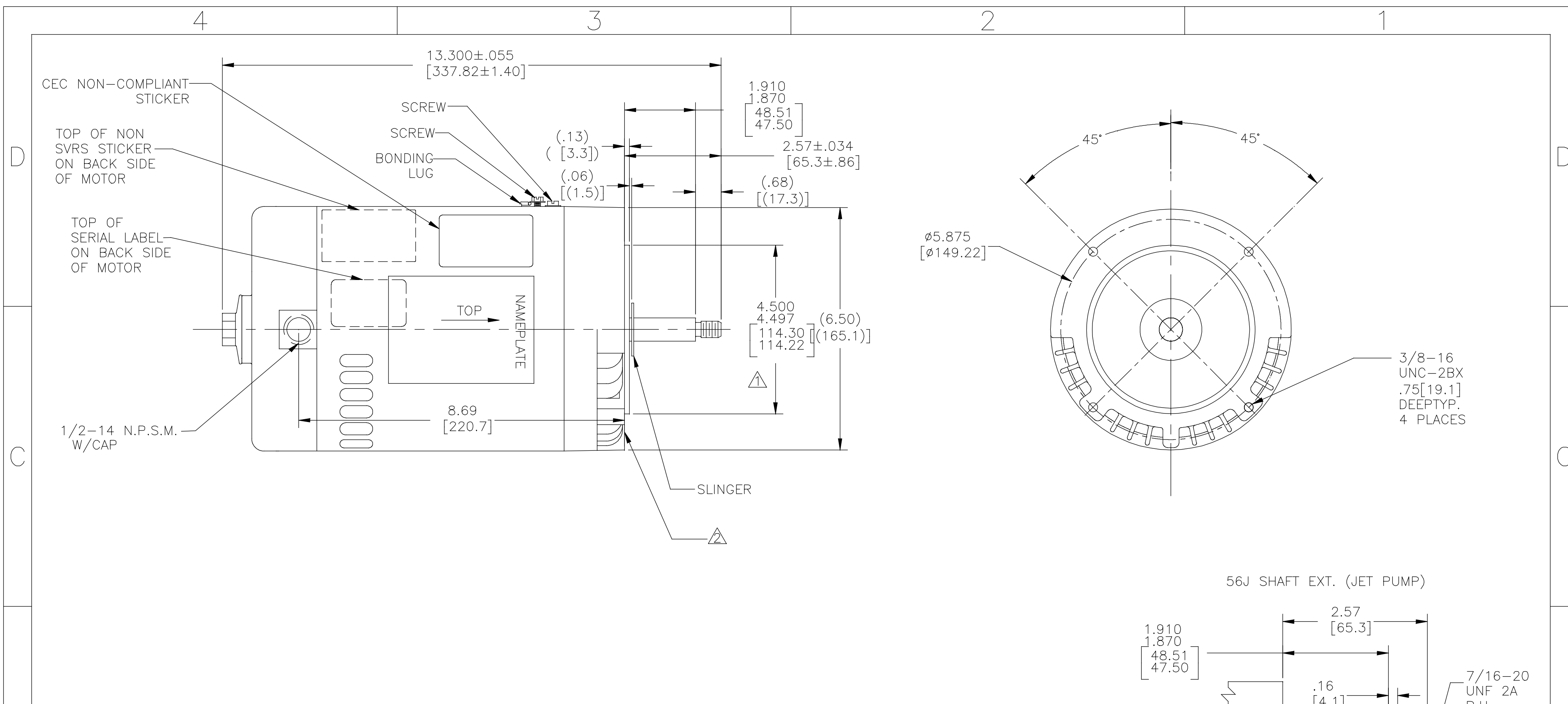
**Nameplate Specifications**

Phase	<b>3</b>	Output HP	<b>1.0 Hp</b>
Output KW	<b>0.75 kW</b>	Voltage	<b>208-230/460 V</b>
Speed	<b>3450/2850 rpm</b>	Service Factor	<b>1.4</b>
Frame	<b>L56J</b>	Enclosure	<b>Drip Proof</b>
Thermal Protection	<b>No Protection</b>	Ambient Temperature	<b>40 °C</b>
Frequency	<b>60/50 Hz</b>	Current	<b>3.0-3.2/1.6 A</b>
Duty	<b>Continuous</b>	Insulation Class	<b>A</b>
UL	<b>Recognized</b>	CSA	<b>Y</b>
Number of Speeds	<b>1</b>		

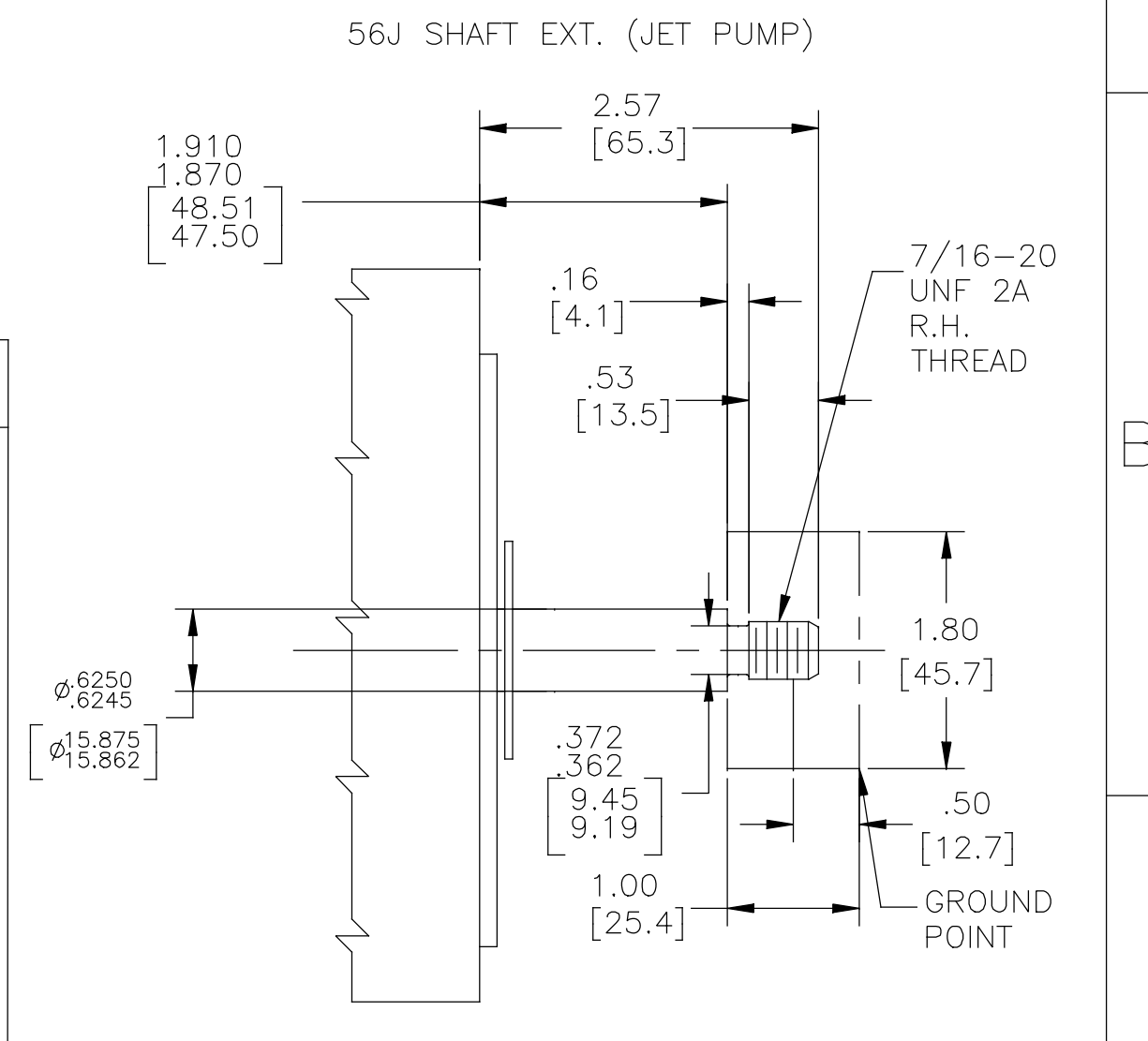
**Technical Specifications**

Electrical Type	<b>Polyphase, Induction Type, Single Or Dual Voltage</b>	Poles	<b>2</b>
Rotation	<b>Reversible Counterclockwise</b>	Mounting	<b>Round</b>
Motor Orientation	<b>Horizontal</b>	Drive End Bearing	<b>Ball</b>
Opp Drive End Bearing	<b>Ball</b>	Frame Material	<b>Rolled Steel</b>
Shaft Type	<b>7/16 Threaded</b>	Overall Length	<b>12.12 in</b>
Frame Length	<b>6.25 in</b>	Shaft Diameter	<b>0.625 in</b>
Shaft Extension	<b>2.57 in</b>		
Connection Drawing	<b>18304024.PCX</b>	Outline Drawing	<b>H514-S01</b>

This is an uncontrolled document once printed or downloaded and is subject to change without notice. Date Created:06/18/2025



NAMEPLATE DATA		EXTERNAL CONNECTION DIAGRAM	NOTES
MODEL: 151772 CUST PN: H514 HP: 1.0 SF: 1.40 ROT: RCC RPM: 3450/2850 TYPE: SC CODE: M FORM: FRAME: L 56 J VOLTS: 208-230/460 AMPS: 3.0-3.2/1.6 MAX AMPS: SF AMPS: - PH: 3 HZ: 60/50 INS: A AMB: 40°C DUTY: CONT ENCLOSURE: ODP THERMALLY PROTECTED			<p>▲ PILOT DIAMETER IS CONCENTRIC WITH SHAFT CENTERLINE WITHIN .004 [.10]T.I.R.</p> <p>▲ FACE OF MOUNTING FLANGE IS PERPENDICULAR TO SHAFT CENTERLINE WITHIN .004 [.10]T.I.R.</p> <p>3. SHAFT RUNOUT NOT TO EXCEED .002 [.05]T.I.R.</p> <p>4. END PLAY NOT TO EXCEED .010 [.25] MEASURED WITH NO THRUST</p>



PERFORMANCE CURVE		APPROVED SAMPLE	
12731423			
UL COMPONENT		CSA	
FILE#	CCN#	FILE#	GUIDE#
PENDING	PENDING	LR4642	4211-01
CUSTOMER	DISTRIBUTION		

DRAWING REVISION	REVISION BY	DATE	TOLERANCES UNLESS OTHERWISE SPECIFIED	DRAWN BY:	Regal Beloit America, Inc.
F	P.ROJAS	04-25-2019	DEC. INCH mm ANGLE	DATE:	
ECO	APPROVED BY	DATE	.XX ±0.1 [±2.5] ±0.5°	APPROVED BY:	DESCRIPTION
ECO-0165900	P.ROJAS	04-25-2019	.XX ±0.02 [±0.51]	DATE:	MODEL-CFHP-56FR
ECO DESCRIPTION			.XXX ±0.005 [±0.127]	REFERENCE	OUTLINE
SEE ECO			.XXXX ±0.0005 [±0.0127]	MATERIAL	PROCESS/FINISH
COPYRIGHT REGAL BELOIT AMERICA, INC. ALL RIGHTS RESERVED. PROPRIETARY AND CONFIDENTIAL INFORMATION - THIS DOCUMENT IS THE PROPERTY OF REGAL BELOIT AMERICA, INC. ("OWNER") AND CONTAINS OWNER'S PROPRIETARY INFORMATION. ANY PERSON, CORPORATION OR OTHER FIRM RECEIVING IT IS DEEMED, BY RECEIVING IT, TO AGREE THAT IT, AND/OR ANY PART OF IT, SHALL NOT BE DISCLOSED TO ANY PERSON, CORPORATION OR OTHER ENTITY, DUPLICATED, AND/OR USED, EXCEPT AS EXPRESSLY APPROVED IN WRITING IN ADVANCE BY OWNER. THIS DOCUMENT SHALL BE RETURNED TO OWNER UPON REQUEST. IT MAY BE SUBJECT TO CERTAIN RESTRICTIONS UNDER APPLICABLE EXPORT CONTROL LAWS AND REGULATIONS.			REMOVE BURRS & BREAK SHARP EDGES .003/.015 [0.076/.381] X 45° CORNER FILLETS R.02 [51] MACHINED SURFACES 125/32 INCH/mm	THIRD ANGLE PROJECTION	SIZE DWG NO H514
			mm SHOWN IN [BRACKETS]		SHEET 1