

PRODUCT INFORMATION PACKET



Model No: H617
Catalog No: H617
1.5 HP Pool Pump Motor, 3 phase, 3600 RPM, 208-230/460 V, 56J Frame, ODP
Pool Pump Motors



Regal and Century are trademarks of Regal Rexnord Corporation or one of its affiliated companies.
©2021 Regal Rexnord Corporation, All Rights Reserved. MC017097E





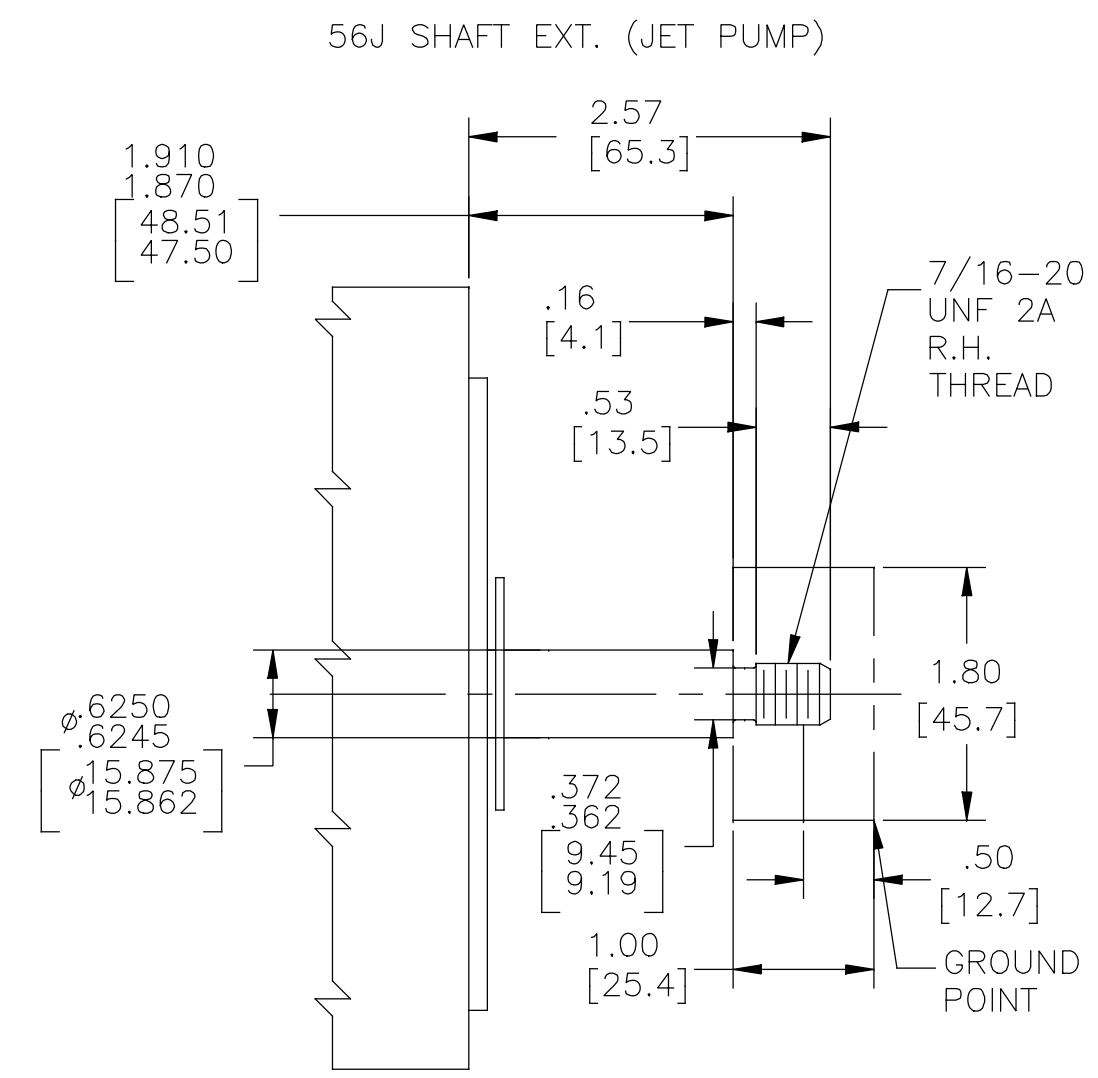
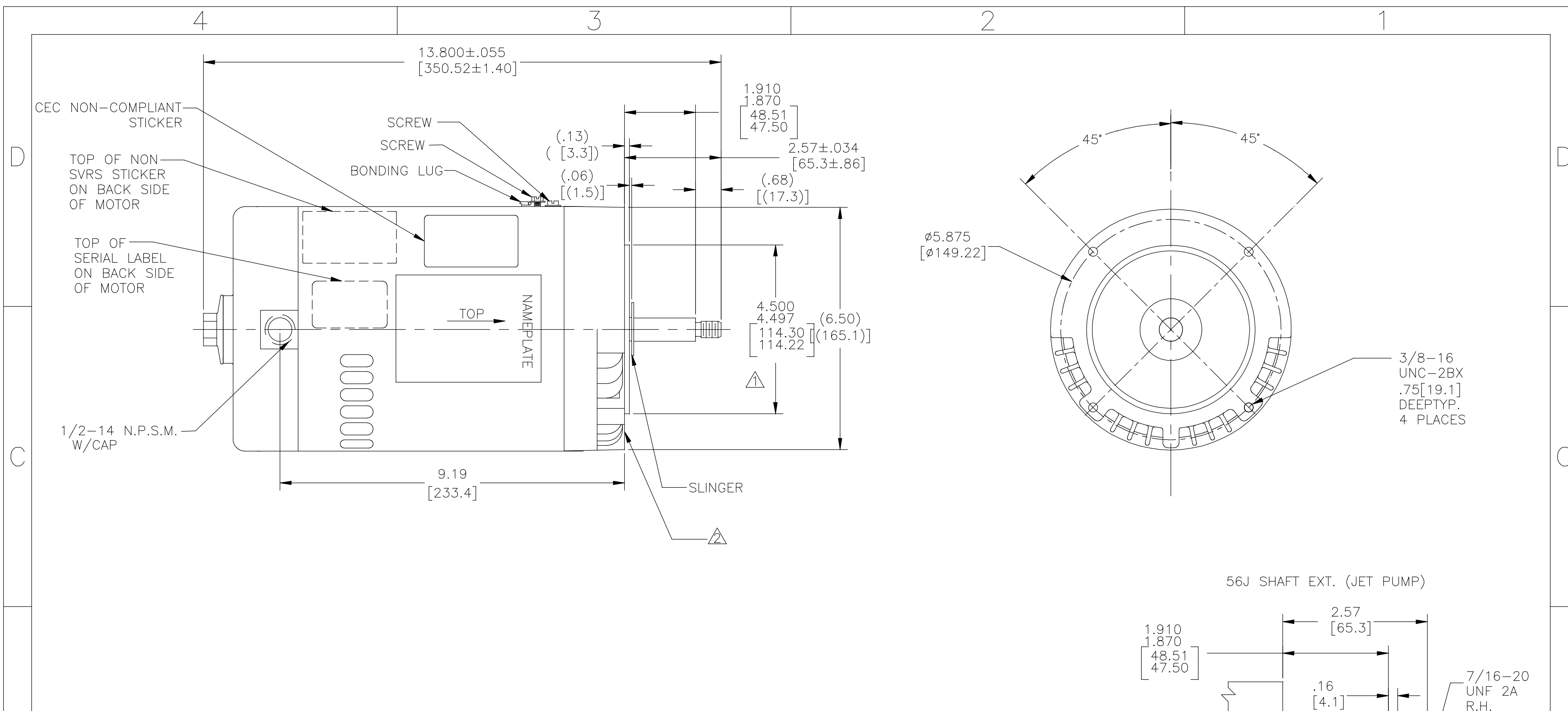
Nameplate Specifications

Output HP	1.5 Hp	Output KW	1.1 kW
Frequency	60 Hz	Voltage	208-230/460 V
Current	4.6-4.4/2.2 A	Speed	3450/2850 rpm
Service Factor	1.3	Phase	3
Duty	Continuous	Insulation Class	A
Frame	M56J	Enclosure	Drip Proof
Thermal Protection	None	Ambient Temperature	40 °C
UL	Recognized	CSA	Y
Number of Speeds	1		

Technical Specifications

Electrical Type	Polyphase, Induction Type, Single Or Dual Voltage	Poles	2
Rotation	Reversible Counterclockwise	Mounting	Round
Motor Orientation	Horizontal	Drive End Bearing	Ball
Opp Drive End Bearing	Ball	Frame Material	Rolled Steel
Shaft Type	7/16 Threaded	Overall Length	12.62 in
Frame Length	6.75 in	Shaft Diameter	0.625 in
Shaft Extension	2.57 in		
Connection Drawing	18304024.PCX	Outline Drawing	H617-S01

This is an uncontrolled document once printed or downloaded and is subject to change without notice. Date Created:10/11/2021



NAMEPLATE DATA	EXTERNAL CONNECTION DIAGRAM	NOTES
MODEL: 151774 CUST PN: H617 HP: 1.5 SF: 1.3 ROT: RCC RPM: 3450/2850 TYPE: SC CODE: L FORM: FRAME: M 56 J VOLTS: 208-230/460 AMPS: 4.6-4.4/2.2 MAX AMPS: SF AMPS: - PH: 3 HZ: 60/50 INS: A AMB: 40°C DUTY: CONT ENCLOSURE: ODP THERMALLY PROTECTED	<p>183040-24</p> <p>LOW VOLTAGE</p> <p>4-BROWN 5-ORANGE 6-BLACK 1-RED 7-PURPLE 2-WHITE 8-GRAY 3-BLUE 9-PINK</p> <p>TO REVERSE, INTER-CHANGE ANY TWO LINE LEADS.</p> <p>HIGH VOLTAGE</p> <p>4-BROWN 7-PURPLE 5-ORANGE 8-GRAY 6-BLACK 9-PINK 1-RED 2-WHITE 3-BLUE</p>	<p>▲PILOT DIAMETER IS CONCENTRIC WITH SHAFT CENTERLINE WITHIN .004 [.10]T.I.R.</p> <p>▲FACE OF MOUNTING FLANGE IS PERPENDICULAR TO SHAFT CENTERLINE WITHIN .004 [.10]T.I.R.</p> <p>3.SHAFT RUNOUT NOT TO EXCEED .002 [.05]T.I.R.</p> <p>4.END PLAY NOT TO EXCEED .010 [.25] MEASURED WITH NO THRUST</p>

PERFORMANCE CURVE	APPROVED SAMPLE		
12731524			
UL COMPONENT	CSA		
FILE#	CCN#	FILE#	GUIDE#
PENDING	PENDING	LR4642	4211-01
CUSTOMER			

DRAWING REVISION	REVISION BY	DATE	TOLERANCES UNLESS OTHERWISE SPECIFIED	DRAWN BY:	REGAL™
F	P.ROJAS	04-25-2019	DEC. INCH mm ANGLE	TOM ZHAO	Regal Beloit America, Inc.
ECO	APPROVED BY	DATE	.XX ±0.1 [±2.5] ±0.5°	DATE:	
ECO-0165900	P.ROJAS	04-25-2019	.XX ±0.02 [±0.51]	07-10-2006	
ECO DESCRIPTION			.XXX ±0.005 [±0.127]	APPROVED BY:	
SEE ECO			.XXXX ±0.0005 [±0.0127]	TDT	
COPYRIGHT REGAL BELOIT AMERICA, INC. ALL RIGHTS RESERVED. PROPRIETARY AND CONFIDENTIAL INFORMATION - THIS DOCUMENT IS THE PROPERTY OF REGAL BELOIT AMERICA, INC. ("OWNER") AND CONTAINS OWNER'S PROPRIETARY INFORMATION. ANY PERSON, CORPORATION OR OTHER FIRM RECEIVING IT IS DEEMED, BY RECEIVING IT, TO AGREE THAT IT, AND/OR ANY PART OF IT, SHALL NOT BE DISCLOSED TO ANY PERSON, CORPORATION OR OTHER ENTITY, DUPLICATED, AND/OR USED, EXCEPT AS EXPRESSLY APPROVED IN WRITING IN ADVANCE BY OWNER. THIS DOCUMENT SHALL BE RETURNED TO OWNER UPON REQUEST. IT MAY BE SUBJECT TO CERTAIN RESTRICTIONS UNDER APPLICABLE EXPORT CONTROL LAWS AND REGULATIONS.			REMOVE BURRS & BREAK SHARP EDGES .003/.015 [0.076/.381] X 45° CORNER FILLETS R.02 [51] MACHINED SURFACES 125 INCH 3/2 mm SHOWN IN [BRACKETS]	DATE: 07-11-2006 REFERENCE:	DESCRIPTION: MODEL-CFHP-56FR OUTLINE MATERIAL: PROCESS/FINISH:
THIRD ANGLE PROJECTION				SIZE DWG NO: C H617	SHEET: 1