

PRODUCT INFORMATION PACKET



Model No: H635

Catalog No: H635

Pool Pump Motor, 1.0 HP, 3 Ph, 60 Hz, 208-230/460 V, 3600 RPM, R56Y Frame, ODP



Regal and Century are trademarks of Regal Rexnord Corporation or one of its affiliated companies.
©2024 Regal Rexnord Corporation, All Rights Reserved. MC017097E





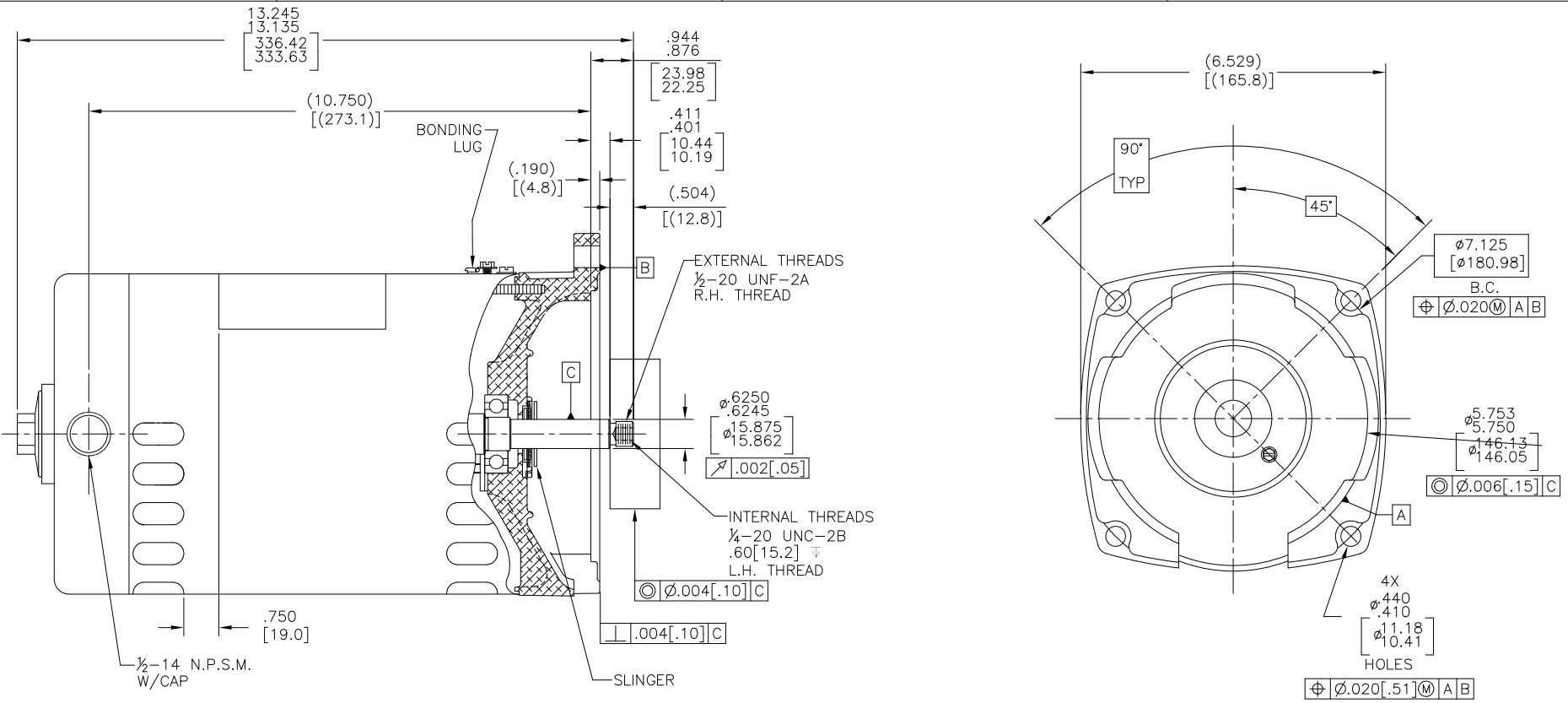
Nameplate Specifications

Phase	3	Output HP	1.0 Hp
Output KW	0.75 kW	Voltage	208-230/460 V
Speed	3450 rpm	Service Factor	1.65
Frame	R56Y	Enclosure	Open Drip Proof
Thermal Protection	No Protection	Ambient Temperature	50 °C
Frequency	60 Hz	Current	SF 5.0-4.6/2.3 A
Duty	Continuous	Insulation Class	B
UL	Recognized	CSA	Y

Technical Specifications

Electrical Type	Polyphase, Induction Type, Single Or Dual Voltage	Poles	2
Rotation	Reversible Counterclockwise	Mounting	Square Flange
Motor Orientation	Horizontal	Drive End Bearing	BALL
Opp Drive End Bearing	BALL	Frame Material	Rolled Steel
Shaft Type	1/2 THREADS	Overall Length	13.20 in
Frame Length	8.75 in	Shaft Diameter	0.625 in
Shaft Extension	0.91 in		
Outline Drawing	H635-S01	Connection Drawing	18304024.PCX

This is an uncontrolled document once printed or downloaded and is subject to change without notice. Date Created:10/14/2024



NAMEPLATE DATA	EXTERNAL CONNECTION DIAGRAM	NOTES
MODEL: 165365 CUST PN: H635 HP: 1.0 SF: 1.65 ROT: RCC RPM: 3450 TYPE: SC CODE: M FORM: - FRAME: R 56 Y VOLTS: 208-230/460 AMPS: SF-5.0-4.6/2.3 MAX AMPS: - SF AMPS: - PH: 3 HZ: 60 INS: B AMB: 50°C DUTY: CONT ENCLOSURE: ODP THERMALLY PROTECTED		1. FOR THREADED SHAFT EXT. MATING PARTS SHOULD BE RELIEVED ONE THREAD TO CLEAR FILLET. 2. END PLAY NOT TO EXCEED .010 [.25] MEASURED WITH NO THRUST. 3. ALL DIMENSIONS SHOWN IN PARENTHESIS ARE REFERENCE DIMENSIONS. 4. FINISH PAINT TO BE BLACK.

PERFORMANCE CURVE	APPROVED SAMPLE		
15567722	-		
UL COMPONENT	CSA		
FILE#	CCN#	FILE#	GUIDE#
E44549	PRGY2	LR4642	4211-01
CUSTOMER	DISTRIBUTION		

DRAWING REVISION: F	REVISION BY: S JIMENEZ	DATE: 10-8-2024	TOLERANCES UNLESS OTHERWISE SPECIFIED	DRAWN BY: CHERRY, Z	
ECR-0237225	APPROVED BY: S JIMENEZ	DATE: 10-8-2024	.X ±0.1 [±2.5] ±0.5° .XX ±0.02 [±0.51] .XXX ±0.005 [±0.127] XXXX ±0.0005 [±0.0127]	DATE: 11-15-2010	
SEE ECR			REMOVE BURRS & BREAK SHARP EDGES .003/.015 [0.076/.381] X 45° CORNER FILLETS R.02 [.51] MACHINED SURFACES $\sqrt{125}$ INCH/mm	APPROVED BY: BAOCHENG .S	DESCRIPTION: MODEL-PFHP-56FR OUTLINE
<small> COPYRIGHT REGAL BELOIT AMERICA, INC. ALL RIGHTS RESERVED. PROPRIETARY AND CONFIDENTIAL INFORMATION - THIS DOCUMENT IS THE PROPERTY OF REGAL BELOIT AMERICA, INC. (OWNER) AND COMPANY OWNER'S PROPRIETARY INFORMATION. ANY REPRODUCTION OR OTHER FIRM RECEIVING IT IS DENIED. BY RECEIVING IT, TO AGREE THAT IT, AND/OR ANY PART OF IT, SHALL NOT BE DISCLOSED TO ANY PERSON, CORPORATION OR OTHER ENTITY, DUPLICATED, AND/OR USED, EXCEPT AS EXPRESSLY APPROVED IN WRITING IN ADVANCE BY OWNER. THIS DOCUMENT SHALL BE RETURNED TO OWNER UPON REQUEST. IT MAY BE SUBJECT TO CERTAIN RESTRICTIONS UNDER APPLICABLE EXPORT CONTROL LAWS AND REGULATIONS. </small>				DATE: 11-15-2010	MATERIAL: _____ PROCESS/FINISH: _____
THIRD ANGLE PROJECTION				SIZE: C	DWG NO: H635
				SHEET: 1	