

PRODUCT INFORMATION PACKET



Model No: H698V1

Catalog No: H698V1

Condenser Fan Motor, 2.0 HP, 3 Ph, 60 Hz, 230/460 V, 1200 RPM, 56Y Frame, TEAO

Operational at 208-230/460 V @60HZ



Regal and Century are trademarks of Regal Rexnord Corporation or one of its affiliated companies.
©2025 Regal Rexnord Corporation, All Rights Reserved. MC017097E





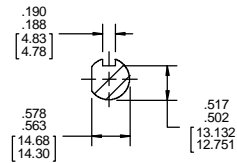
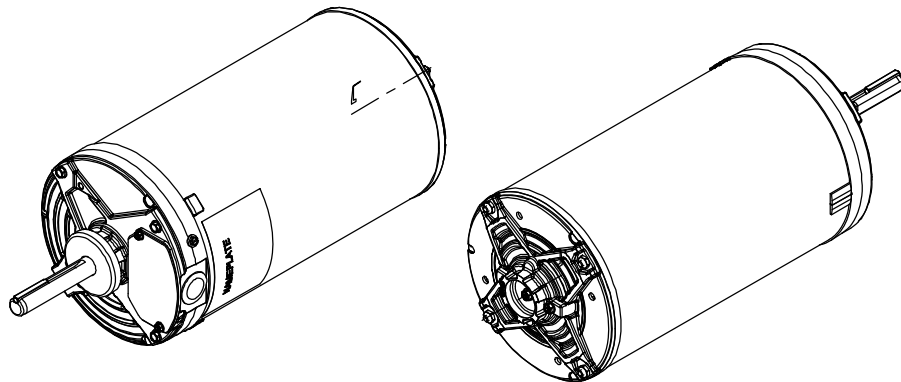
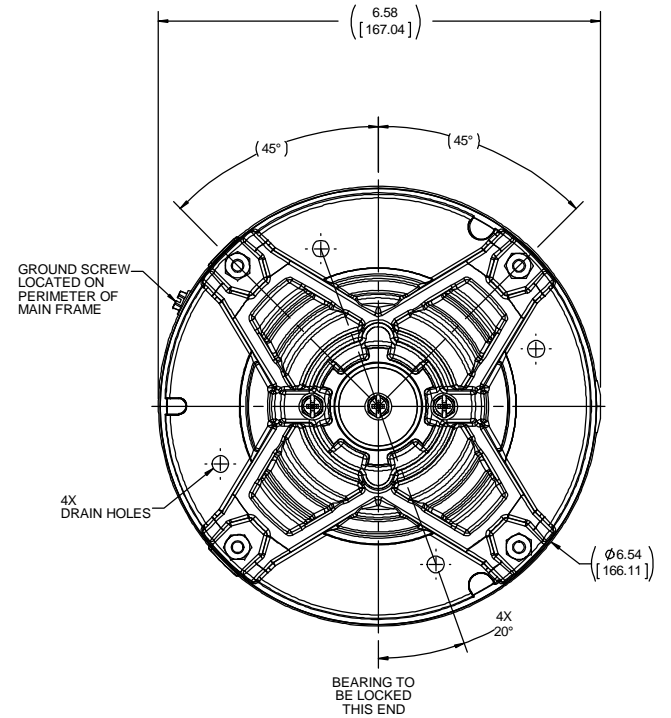
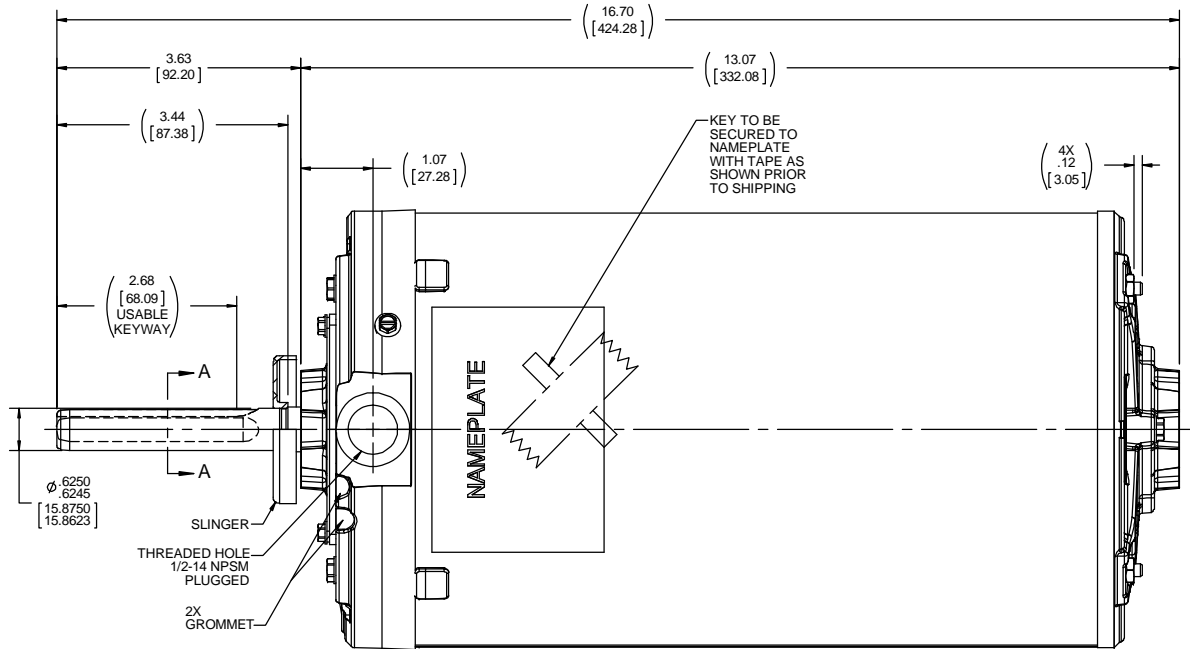
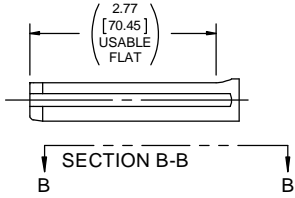
Nameplate Specifications

Phase	3	Output HP	2.0 Hp
Output KW	1.5 kW	Voltage	230/460 V
Speed	1140 rpm	Service Factor	1.0
Frame	56Y	Enclosure	Totally Enclosed Air Over
Thermal Protection	Thermally Protected	Efficiency	79.5 %
Ambient Temperature	70 °C	Frequency	60 Hz
Current	6.2/3.1 A	Duty	Continuous
Insulation Class	B	UL	Recognized
CSA	Y	CE	N
Number of Speeds	1		

Technical Specifications

Electrical Type	Three Phase	Starting Method	Across The Line
Poles	6	Rotation	Reversible
Mounting	Round	Drive End Bearing	Ball
Opp Drive End Bearing	Ball	Frame Material	Rolled Steel
Shaft Type	Keyed	Overall Length	16.70 in
Frame Length	10.25 in	Shaft Diameter	0.625 in
Shaft Extension	3.44 in		
Outline Drawing	OL56100256-001	Connection Drawing	DD10027-001

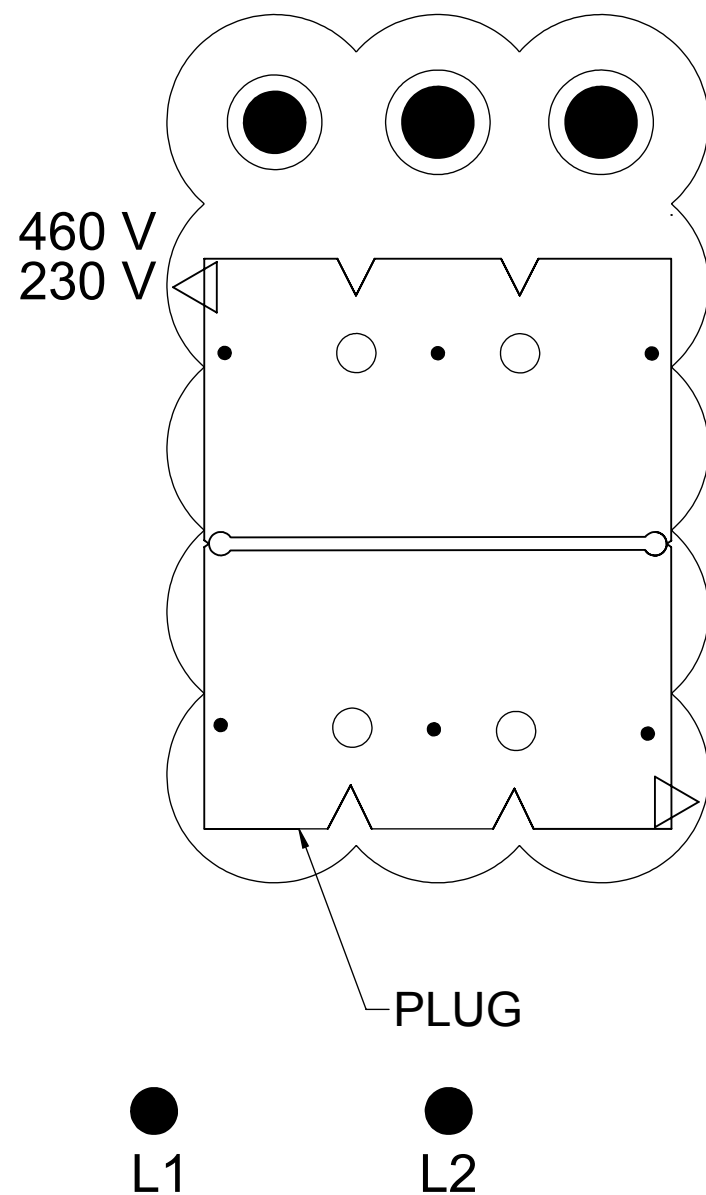
This is an uncontrolled document once printed or downloaded and is subject to change without notice. Date Created:10/23/2025



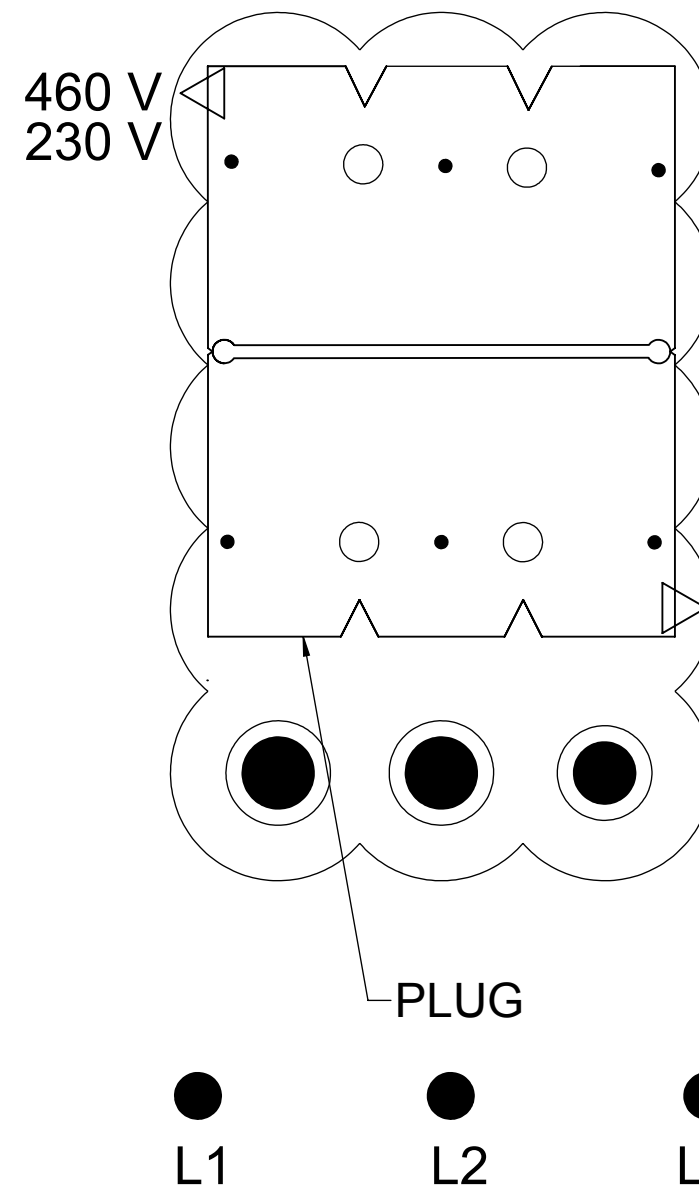
SECTION A-A

DRAWING REVISION A		REVISION BY	DATE	TOLERANCES UNLESS OTHERWISE SPECIFIED:		DRAWN BY E. VILLA		Regal Beloit America, Inc.	
ECO-0125475		APPROVED BY	DATE	DEC.	INCH	mm	ANGLE		DATE 06-19-2017
ECO DESCRIPTION NMR RELEASE				.X	±0.1	[±2.5]	±0.5°	APPROVED BY	DESCRIPTION OUTLINE
<small>COPYRIGHT REGAL BELOIT AMERICA, INC. ALL RIGHTS RESERVED. PROPRIETARY AND CONFIDENTIAL INFORMATION. THIS DOCUMENT IS THE PROPERTY OF REGAL BELOIT AMERICA, INC. FORMERLY AND CONTAINS OWNERS PROPRIETARY INFORMATION. ANY PERSON, CORPORATION OR OTHER FIRM RECEIVING IT IS DEEMED TO HAVE AGREED TO HOLD THIS INFORMATION IN CONFIDENCE AND TO RETURN IT TO ANY PERSON, CORPORATION OR OTHER ENTITY. DUPLICATED, AND/OR USED, EXCEPT AS EXPRESSLY APPROVED IN WRITING IN ADVANCE BY OWNER. THIS DOCUMENT SHALL BE RETURNED TO OWNER UPON REQUEST. IT MAY BE SUBJECT TO CERTAIN RESTRICTIONS UNDER APPLICABLE EXPORT CONTROL LAWS AND REGULATIONS.</small>				.XX	±0.03	[±0.76]		DATE	MATERIAL
				.XXX	±0.005	[±0.127]		REFERENCE	PROCESS/FINISH
				.XXXX	±0.0005	[±0.0127]		THIRD ANGLE PROJECTION	SIZE C
				MACHINED SURFACES: 125 INCH/mth				DRAWING NUMBER OL56100256-001	SHEET 1 OF 1

LOW VOLTAGE



HIGH VOLTAGE



NOTES:

TO CHANGE VOLTAGE:

1. POWER MUST NOT BE CONNECTED.
2. PULL SELECTOR PLUG OUT.
3. SHIFT PLUG TO ALIGN ARROW TO 460V FOR HIGH VOLTAGE OR 230V FOR LOW VOLTAGE AS DESIRED.
4. PUSH PLUG BACK IN

DD10027-001

ROTATION CCW-LE TO REVERSE INTERCHANGE ANY TWO LINE LEADS.

PLATE: 41365

SLOT: 22

DRAWING REVISION A	REVISION BY G. RODRIGUEZ	DATE 04-06-2016	TOLERANCES UNLESS OTHERWISE SPECIFIED:		DRAWN BY G. RODRIGUEZ	REGAL ™ Regal Beloit America, Inc.
ECO	APPROVED BY E. MARTINEZ	DATE PLUG 04-06-2016	DEC.	INCH	DATE 04-06-2016	
ECO DESCRIPTION			mm	ANGLE	APPROVED BY E. MARTINEZ	DESCRIPTION CONN DIAGRAM-NAMEPLATE
<small>COPYRIGHT REGAL BELOIT AMERICA, INC. ALL RIGHTS RESERVED. PROPRIETARY AND CONFIDENTIAL INFORMATION - THIS DOCUMENT IS THE PROPERTY OF REGAL BELOIT AMERICA, INC. ("OWNER") AND CONTAINS OWNER'S PROPRIETARY INFORMATION. ANY PERSON, CORPORATION OR OTHER FIRM RECEIVING IT IS DEEMED, BY RECEIVING IT, TO AGREE THAT IT, AND/OR ANY PART OF IT, SHALL NOT BE DISCLOSED TO ANY PERSON, CORPORATION OR OTHER ENTITY, DUPLICATED, AND/OR USED, EXCEPT AS EXPRESSLY APPROVED IN WRITING IN ADVANCE BY OWNER. THIS DOCUMENT SHALL BE RETURNED TO OWNER UPON REQUEST. IT MAY BE SUBJECT TO CERTAIN RESTRICTIONS UNDER APPLICABLE EXPORT CONTROL LAWS AND REGULATIONS.</small>			.X	±0.1	[±2.5]	
			.XX	±0.01	[±0.25]	
			.XXX	±0.005	[±0.127]	
			.XXXX	±0.0005	[±0.0127]	
			REMOVE BURRS & BREAK SHARP EDGES: .003/.015 [0.076/.381] X 45° CORNER FILLETS: R.02 [51]		DATE 04-06-2016	
			MACHINED SURFACES: 125 INCH 3.2 mm		REFERENCE	MATERIAL
			mm SHOWN IN [BRACKETS]		THIRD ANGLE PROJECTION	PROCESS/FINISH
					SIZE B	DRAWING NUMBER DD10027-001
						SHEET 1 OF 1