



Nameplate Specifications

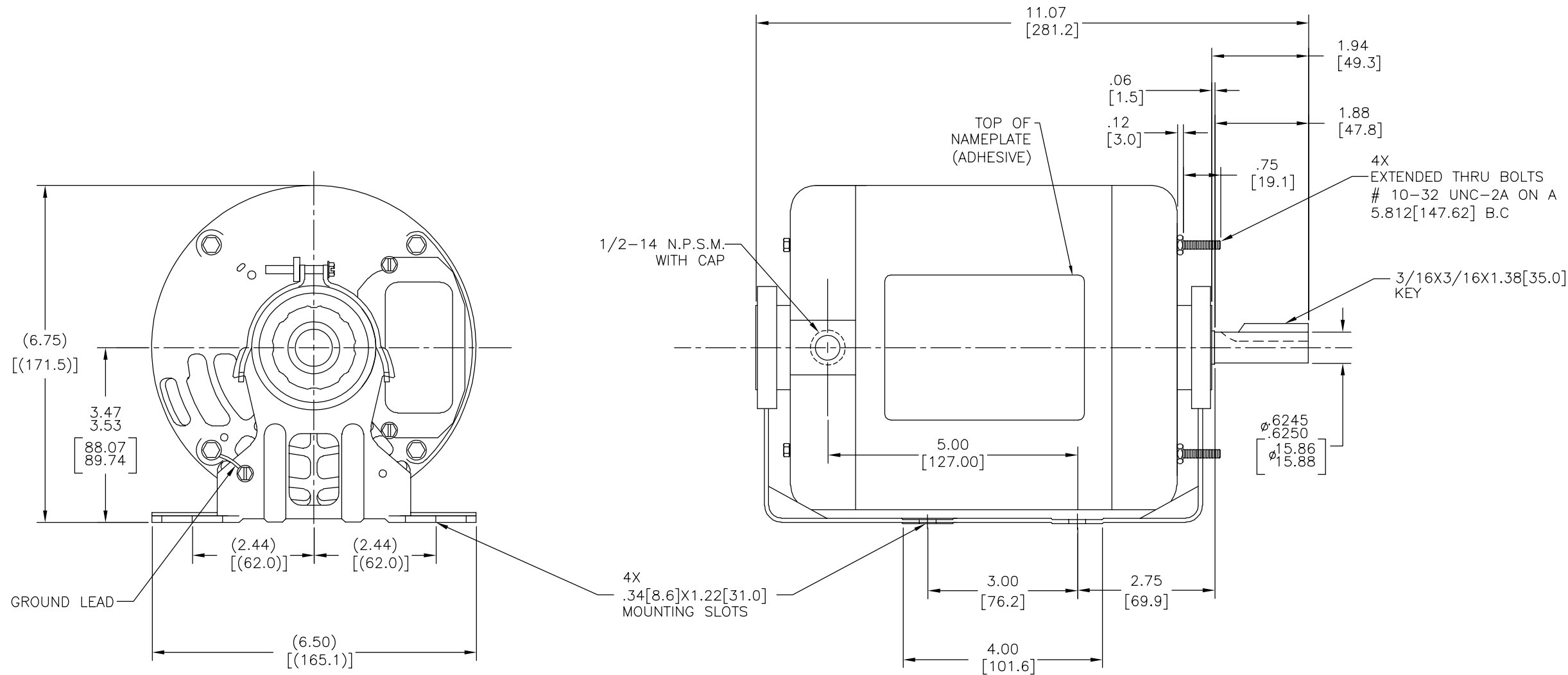
Output HP	1.0-.44 Hp	Output KW	0.75 kW
Frequency	60 Hz	Voltage	460 V
Current	1.7/1.1 A	Speed	1725/1140 rpm
Service Factor	1.15	Phase	3
Duty	Continuous	Insulation Class	B
Frame	K56Y	Enclosure	Open Drip Proof
Thermal Protection	No Protection	Ambient Temperature	40 °C
UL	Recognized	CSA	Y
CE	N	Number of Speeds	2

Technical Specifications

Electrical Type	Polyphase, Induction Type, Multi-Speed	Starting Method	Across The Line
Poles	4/6	Rotation	Reversible Counterclockwise
Mounting	Cushion Base	Drive End Bearing	Ball
Opp Drive End Bearing	Ball	Frame Material	Rolled Steel
Shaft Type	Keyed	Overall Length	11.07 in
Frame Length	5.50 in	Shaft Diameter	0.625 in
Shaft Extension	1.94 in		
Outline Drawing	H718V1-S01	Connection Drawing	17050701.PCX

This is an uncontrolled document once printed or downloaded and is subject to change without notice. Date Created:03/15/2023

REV	ECO	REV BY	DATE	APPD	DATE
D	ECO-0031410	A.BAUGHMAN	03-06-2013	M.RAMIREZ	03-06-2013



GEOMETRIC CHARACTERISTICS & SYMBOLS

- ▭ FLATNESS
- STRAIGHTNESS
- ∠ ANGULARITY
- ⊥ PERPENDICULARITY (SQUARENESS)
- // PARALLELISM
- ROUNDNESS (CIRCULARITY)
- ⊘ CYLINDRICITY
- △ PROFILE OF ANY SURFACE
- ∩ PROFILE OF ANY LINE
- ↯ RUNOUT
- ⊕ TRUE POSITION
- ◎ CONCENTRICITY
- ≡ SYMMETRY

ASME Y14.5M 1994

UNLESS OTHERWISE SPECIFIED
DIM. TOLERANCES ARE AS FOLLOWS:

INCH X XX XXX XXXX
mm ±0.5 ±0.13 ±0.013

ANG. ±.50 DEG
REMOVE BURRS & BREAK SHARP EDGES:
INCH .003-.015 mm 0.1-0.4

CORNER FILLETS TO:
INCH .020 mm 0.5

MACHINE SURFACES:
INCH 125 mm 3.2

METRIC DIMS. SHOWN IN [BRACKETS]

DR BY:	VMS	09-04-2009
APPD:	S.BOWLING	09-04-2009
THIRD ANGLE PROJECTION	⊕	EDS DATE 11-11-2011 FORMAT REV H
CONFIDENTIAL: THIS DRAWING AND ITS INFORMATION ARE THE EXCLUSIVE AND CONFIDENTIAL PROPERTY OF REGAL-BELOIT CORPORATION AND ARE NOT TO BE DISCLOSED, DUPLICATED, DISTRIBUTED OR OTHERWISE USED WITHOUT THE WRITTEN CONSENT OF REGAL-BELOIT CORPORATION. -ALL RIGHTS RESERVED.		

REGAL REGAL-BELOIT CORPORATION	
DESCRIPTION MODEL-CFHP-56FR OUTLINE	
SIZE C	DWG NO H718V1
SCALE NONE	SHEET 1