

PRODUCT INFORMATION PACKET



Model No: H755
Catalog No: H755

Pool Pump Motor, 3.0 HP, 3 Ph, 60 Hz, 208-230/460 V, 3600 RPM, Y56Y Frame, DP



Regal and Century are trademarks of Regal Rexnord Corporation or one of its affiliated companies.
©2024 Regal Rexnord Corporation, All Rights Reserved. MC017097E





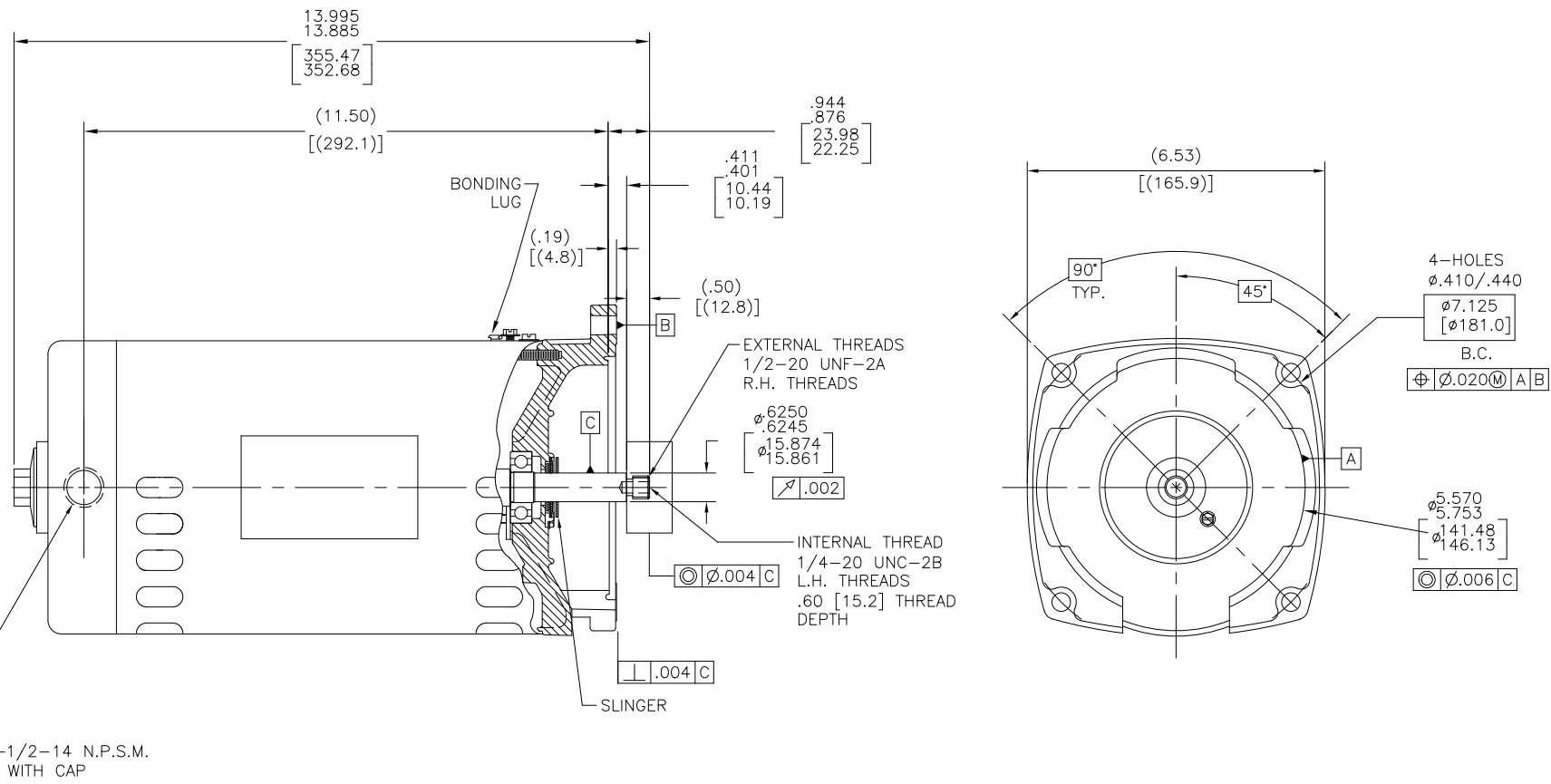
Nameplate Specifications

Phase	3	Output HP	3.0 Hp
Output KW	2.2 kW	Voltage	208-230/460 V
Speed	3450 rpm	Service Factor	1.15
Frame	Y56Y	Enclosure	Drip Proof
Thermal Protection	No Protection	Ambient Temperature	50 °C
Frequency	60 Hz	Current	SF 9.8-9.6/4.8 A
Duty	Continuous	Insulation Class	B
UL	Recognized	CSA	Y
Number of Speeds	1		

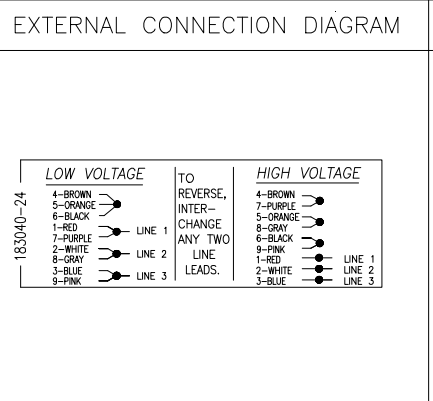
Technical Specifications

Electrical Type	Polyphase, Induction Type, Single Or Dual Voltage	Poles	2
Rotation	Reversible Counterclockwise	Mounting	Round
Motor Orientation	Horizontal	Drive End Bearing	Ball
Opp Drive End Bearing	Ball	Frame Material	Rolled Steel
Shaft Type	1/2 Threaded	Overall Length	13.90 in
Frame Length	9.50 in	Shaft Diameter	0.625 in
Shaft Extension	0.91 in		
Outline Drawing	H755-S01	Connection Drawing	18304024.PCX

This is an uncontrolled document once printed or downloaded and is subject to change without notice. Date Created:10/14/2024



NAMEPLATE DATA	
MODEL: 165440	
CUST PN: H755	
HP: 3.0	SF: 1.15
ROT: RCC	
RPM: 3450	
TYPE: SC	CODE: M
FORM: KJC	FRAME: Y 56 Y
VOLTS: 208-230/460	
AMPS: SF-9.8-9.6/4.8	
MAX AMPS:	
SF AMPS:	
PH: 3	HZ: 60
INS: B	AMB: 50°C
DUTY: CONT	
ENCLOSURE: ODP	



NOTES

- FOR THREADED SHAFT EXT. MATING PARTS SHOULD BE RELIEVED ONE THREAD TO CLEAR FILLET
- END PLAY NOT TO EXCEED .010 MEASURED WITH NO THRUST
- ALL DIMENSIONS SHOWN IN PARENTHESIS ARE REFERENCE DIMENSIONS.
- FINISH PAINT TO BE BLACK

PERFORMANCE CURVE	APPROVED SAMPLE		
14817921			
UL COMPONENT	CSA		
FILE#	CCN#	FILE#	GUIDE#
E44549	PRGY2	LR4642	4211-01
CUSTOMER	DISTRIBUTION		

DRAWING REVISION	REVISION BY	DATE	TOLERANCES UNLESS OTHERWISE SPECIFIED	DRAWN BY:	REGAL™
F	S JIMENEZ	10-8-2024	DEC. INCH mm ANGLE	CHERRY Z	Regal Beloit America, Inc.
ECR-0237225	S JIMENEZ	10-8-2024	.X ±0.1 [±2.5] ±0.5°	11-15-2010	
SEE ECR			.XX ±0.02 [±0.51]	APPROVED BY:	DESCRIPTION
			.XXX ±0.005 [±0.127]	BAOCHENG.S	MODEL-PFHP-56FR
			XXXX ±0.0005 [±0.0127]	DATE:	OUTLINE
			REMOVE BURRS & BREAK SHARP EDGES .003/.015 [0.076/.381] X 45°	11-15-2019	
			CORNER FILLETS R.02 [.51]	REFERENCE	MATERIAL
			MACHINED SURFACES .125/32 mm		PROCESS/FINISH
			mm SHOWN IN [BRACKETS]	THIRD ANGLE PROJECTION	SIZE DWG NO
					H755
					SHEET 1