

# PRODUCT INFORMATION PACKET



Model No: H756

Catalog No: H756

SUB OPTIONS HAVE RESILIENT BASE, NOT RIGID-1.5,3450,DP,56H,3/60/460/200-230

General Purpose Motors



Regal and Century are trademarks of Regal Rexnord Corporation or one of its affiliated companies.

©2021 Regal Rexnord Corporation, All Rights Reserved. MC017097E





### Nameplate Specifications

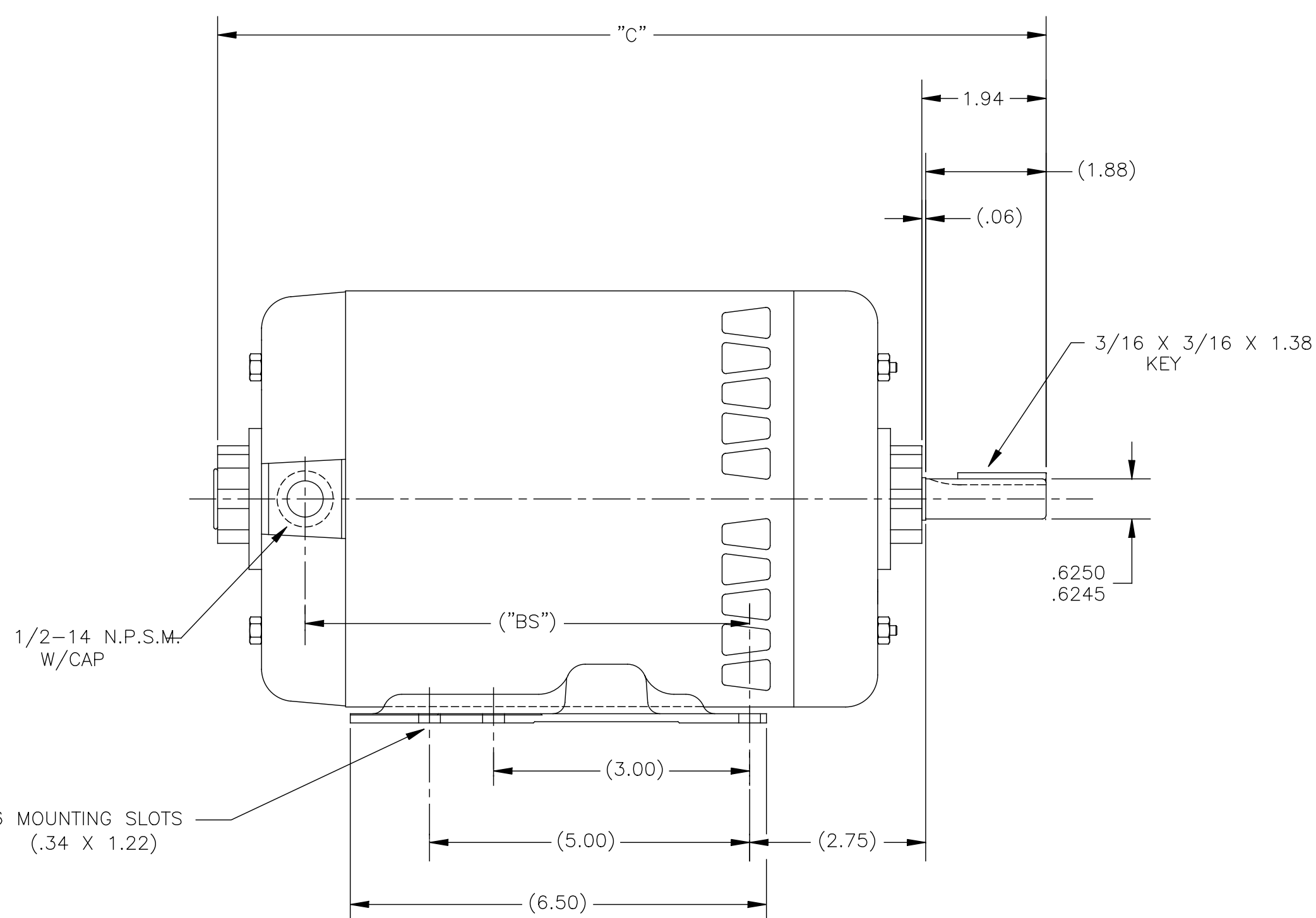
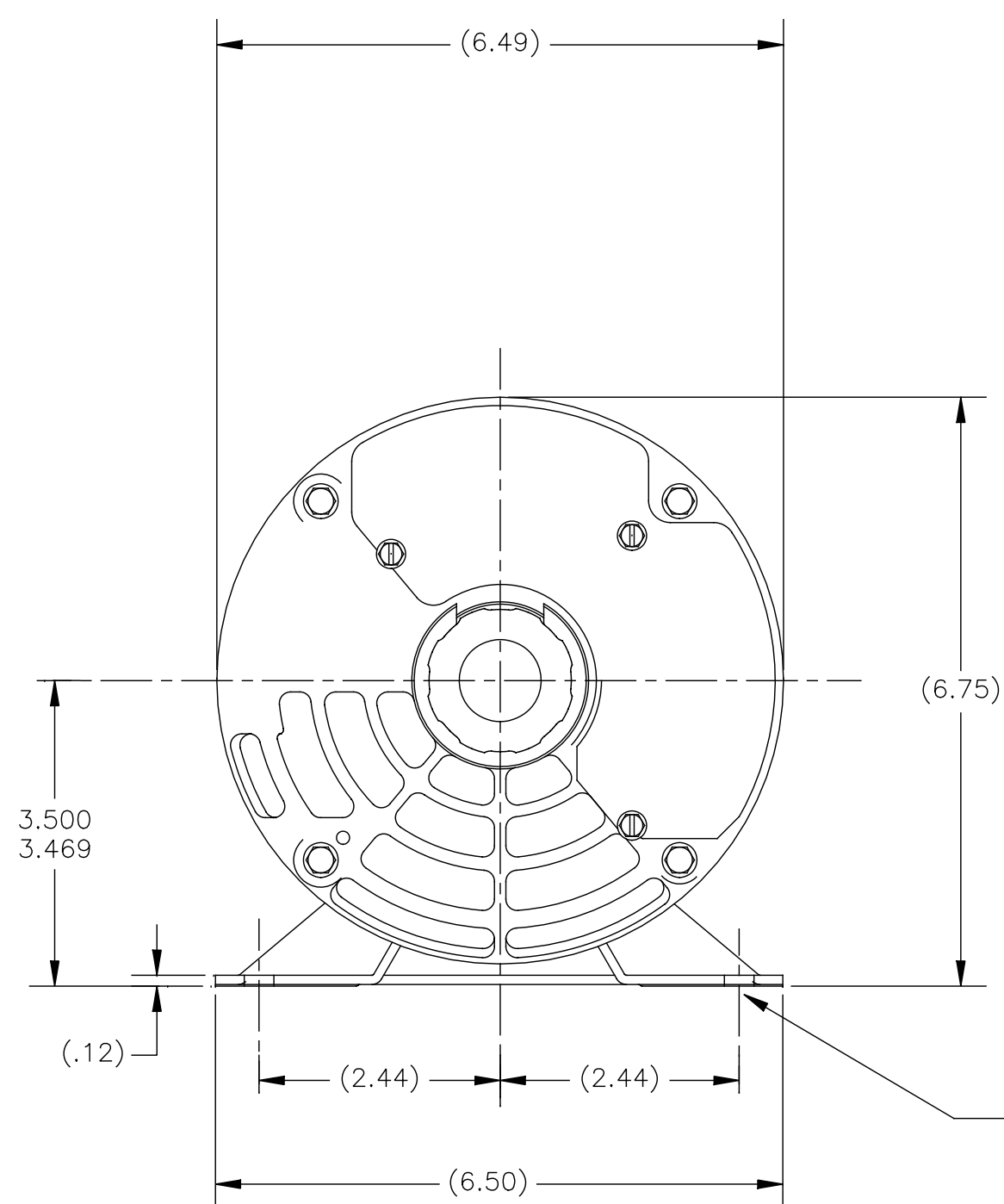
Output HP	1.5 Hp	Output KW	1.1 kW
Frequency	60 Hz	Voltage	460/200-230 V
Current	2.3/4.7-4.6 A	Speed	3450 rpm
Service Factor	1.3	Phase	3
Duty	Continuous	Insulation Class	B
Frame	U56H	Enclosure	Drip Proof
Thermal Protection	Thermally Protected	Ambient Temperature	40 °C
UL	Recognized	CSA	Y
CE	N	Number of Speeds	1

### Technical Specifications

Electrical Type	Polyphase, Induction Type, Single Or Dual Voltage	Starting Method	Across The Line
Poles	2	Rotation	Reversible Counterclockwise
Mounting	Rigid Base	Drive End Bearing	Ball
Opp Drive End Bearing	Ball	Frame Material	Rolled Steel
Shaft Type	Keyed	Overall Length	12.94 in
Frame Length	7.00 in	Shaft Diameter	0.625 in
Shaft Extension	1.94 in		
Outline Drawing	183181-S01	Connection Drawing	17564810.PCX

This is an uncontrolled document once printed or downloaded and is subject to change without notice. Date Created:10/11/2021

D/S	GROUP	TYPE	FRAME	"C"	("BS")
4	-01	SC	U56H	12.94	6.87



DRAWING REVISION D	REVISION BY J.HESS	DATE 07-19-2016	TOLERANCES UNLESS OTHERWISE SPECIFIED DEC. INCH mm ANGLE .X ±0.1 [±2.5] ±0.5° .XX ±0.02 [±0.51] .XXX ±0.005 [±0.127] .XXXX ±0.0005 [±0.0127]	DRAWN BY: TED	Regal Beloit America, Inc.
ECO 0098988	APPROVED BY J.HESS	DATE 07-19-2016	REMOVE BURRS & BREAK SHARP EDGES .003/.015 [0.076/.381] CORNER FILLETS .02 [.51] MACHINED SURFACES 125/INCH 3.2/mm	DATE: 06-15-1992	
ECO DESCRIPTION UPDATED TITLE BLOCK				APPROVED BY:	DESCRIPTION OUTLINE
<small>COPYRIGHT REGAL BELOIT AMERICA, INC. ALL RIGHTS RESERVED. PROPRIETARY AND CONFIDENTIAL INFORMATION - THIS DOCUMENT IS THE PROPERTY OF REGAL BELOIT AMERICA, INC. ("OWNER") AND CONTAINS OWNER'S PROPRIETARY INFORMATION. ANY PERSON, CORPORATION OR OTHER FIRM RECEIVING IT IS DEEMED, BY RECEIVING IT, TO AGREE THAT IT, AND/OR ANY PART OF IT, SHALL NOT BE DISCLOSED TO ANY PERSON, CORPORATION OR OTHER ENTITY, DUPLICATED, AND/OR USED, EXCEPT AS EXPRESSLY APPROVED IN WRITING IN ADVANCE BY OWNER. THIS DOCUMENT SHALL BE RETURNED TO OWNER UPON REQUEST. IT MAY BE SUBJECT TO CERTAIN RESTRICTIONS UNDER APPLICABLE EXPORT CONTROL LAWS AND REGULATIONS.</small>				REFERENCE N/A	MATERIAL N/A
				THIRD ANGLE PROJECTION	PROCESS/FINISH N/A
				SIZE DWG NO C 183181	SHEET 1

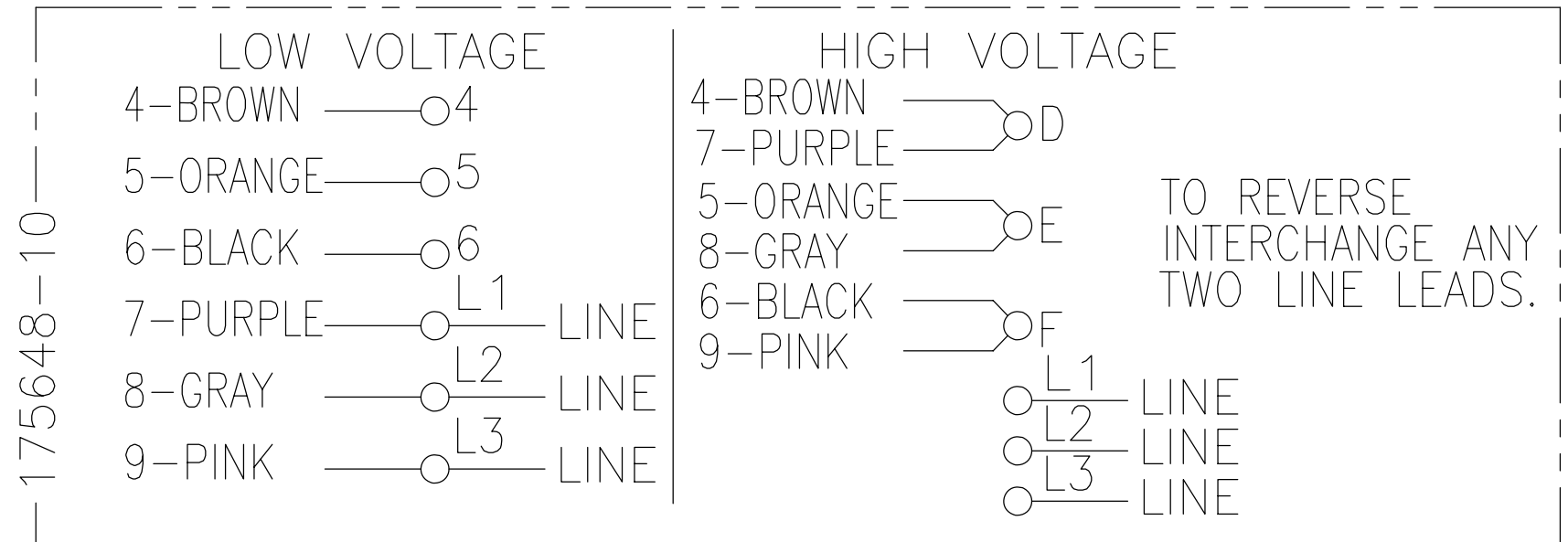
4

3

2

1

REV	ECO	REV BY	DATE	APPD	DATE
C	ECO-0027036	J. COX	11-19-2012	C. McREYNOLDS	11-19-2012



- NOTES:
1. DOTTED BOX REPRESENTS TOTAL PRINTED AREA ALLOWED FOR CONNECTION DIAGRAM TO FIT IN (2.13 X .75) [(541.0 X 19.1)]. SEE NAMEPLATE DRAWING 170500 OR 170501 FOR LOCATION.
  2. CHARACTERS ARE TO BE A MINIMUM OF .03[.8] TO .06[1.5] MAXIMUM IN HEIGHT.
  3. DETAIL ARE NOT TO BE COPIED FROM DRAWING, BUT ARE TO BE REPRODUCED FROM ORIGINAL ARTWORK FURNISHED.

A

A

GEOMETRIC CHARACTERISTICS & SYMBOLS ▽ FLATNESS — STRAIGHTNESS ∠ ANGULARITY ⊥ PERPENDICULARITY (SQUARENESS) // PARALLELISM ○ ROUNDNESS (CIRCULARITY) ⌀ CYLINDRICITY △ PROFILE OF ANY SURFACE ∩ PROFILE OF ANY LINE ↗ RUNOUT ⊕ TRUE POSITION ⊙ CONCENTRICITY ≡ SYMMETRY	UNLESS OTHERWISE SPECIFIED DIM. TOLERANCES ARE AS FOLLOWS: INCH X XX XXX XXXX ±.1 ±.02 ±.005 ±.0005 mm ±0.5 ±0.13 ±0.013 ANG. ±.50 DEG REMOVE BURRS & BREAK SHARP EDGES: INCH .003-.015 mm 0.1-0.4 CORNER FILLETS TO: INCH .020 mm 0.5 MACHINE SURFACES: INCH 125 mm 3.2 METRIC DIMS. SHOWN IN [BRACKETS]	DR BY:	PLM	02-17-1989	<b>REGAL-BELOIT CORPORATION</b>		
		APPD:	MH	02-21-1989		DESCRIPTION	
		THIRD ANGLE PROJECTION		EDS DATE	11-11-2011	CONN DIAGRAM-NAMEPLATE	
		CONFIDENTIAL: THIS DRAWING AND ITS INFORMATION ARE THE EXCLUSIVE AND CONFIDENTIAL PROPERTY OF REGAL-BELOIT CORPORATION AND ARE NOT TO BE DISCLOSED, DUPLICATED, DISTRIBUTED OR OTHERWISE USED WITHOUT THE WRITTEN CONSENT OF REGAL-BELOIT CORPORATION. -ALL RIGHTS RESERVED.				SIZE	B
			SCALE	NONE	SHEET		1

4

3

2

1

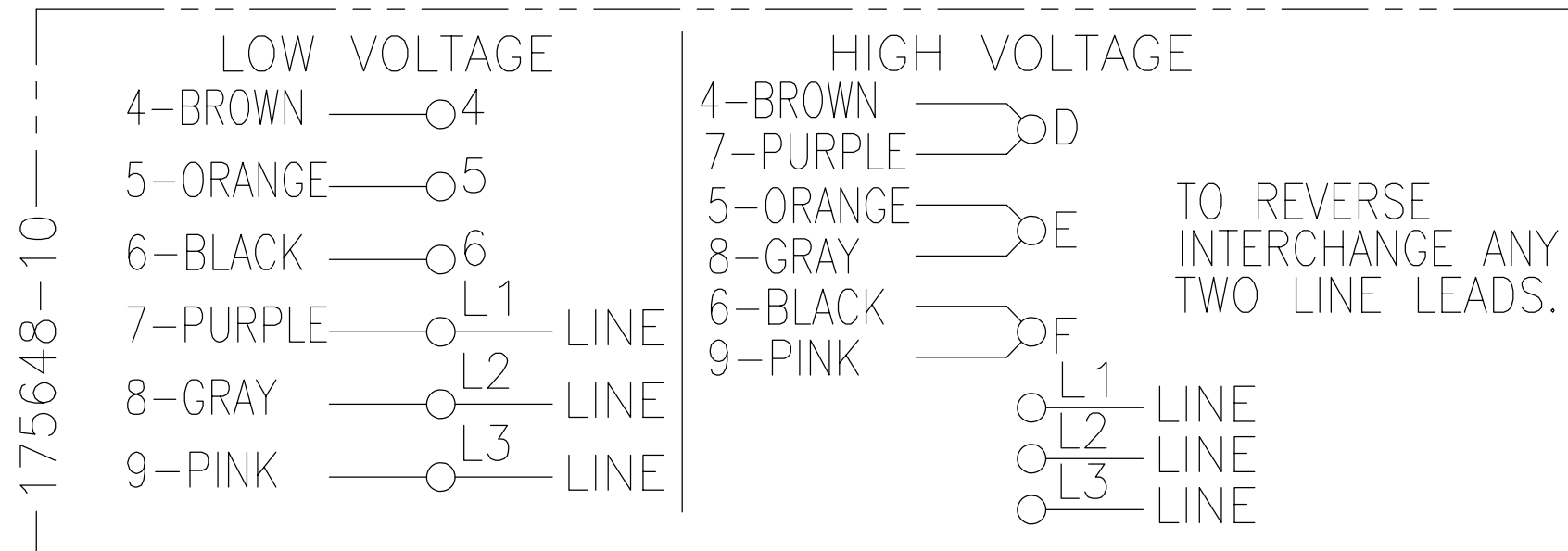
4

3

2

1

REVISION:	ECO	REVISADO POR:	FECHA:	APROBADO POR:	FECHA:
C	ECO-0027036	J. COX	11-19-2012	C. McREYNOLDS	11-19-2012



NOTAS:

1. LA CAJA PUNTEADA REPRESENTA EL AREA TOTAL DE IMPRESION PERMITIDA PARA EL DIAGRAMA DE CONEXION AJUSTADO EN (2.13 X .75) [(541.0 X 19.1)]. VER LA PLACA DE DATOS EN EL DIBUJO 170500 O 170501 PARA UBICACION.
2. CARACTERES DEBEN ESTAR A UNA ALTURA MINIMA DE .03[.8] A UNA MAXIMA DE .06[1.5].
3. LOS DETALLES NO SERAN COPIADOS AL DIBUJO, PERO DEBEN SER PRODUCIDOS DESDE EL BOCETO ORIGINAL PROPORCIONADO.

CARACTERISTICAS DE GEOMETRIA Y SIMBOLOS

- ∇ PLANICIDAD
- RECTITUD
- ∠ ANGULARIDAD
- ⊥ PERPENDICULARIDAD (A ESCUADRA)
- // PARALELISMO
- REDONDEZ (CIRCULARIDAD)
- ⊘ CILINDRICIDAD
- △ PERFIL DE CUALQUIER SUPERFICIE
- ∩ PERFIL DE CUALQUIER LINEA
- ↗ VARIACION
- ⊕ POSICION REAL
- ⊙ CONCENTRICIDAD
- ≡ SIMETRIA

ASME Y14.5M 1994

A MENOS QUE SE ESPECIFIQUE DE OTRA MANERA, LAS TOLERANCIAS DE LAS DIMS; SON LAS SIGUIENTES:

PULG  $\pm .1$   $\pm .02$   $\pm .005$   $\pm .0005$   
 mm  $\pm 0.5$   $\pm 0.13$   $\pm 0.013$

ANG.  $\pm .50$  GRADOS

ELIMINAR REBABAS Y ORILLAS FILOSAS DEL BORDE.

PULG .003-.015 mm 0.1-0.4

FILETEAR ESQUINA: PULG .020 mm 0.5

MAQUINAR SUPERFICIES

PULG  $\frac{125}{\sqrt{\quad}}$  mm  $\frac{3.2}{\sqrt{\quad}}$

DIMS METRICAS MOSTRADAS [PARENTESIS]

DIBUJADO POR: PLM 02-17-1989

APROBADO POR: MH 02-21-1989

TERCER ANGULO DE PROYECCION FECHA EDS: 11-11-2011  
 REV. FORMATO: H

CONFIDENCIAL: ESTE DIBUJO Y SU INFORMACION SON PROPIEDAD DE USO EXCLUSIVO Y CONFIDENCIAL DE REGAL-BELOIT CORPORATION Y NO DEBERAN SER REVELADOS, DUPLICADOS, DISTRIBUIDOS O USARSE DE OTRA MANERA SIN EL CONSENTIMIENTO ESCRITO DE REGAL-BELOIT CORPORATION. -TODOS LOS DERECHOS RESERVADOS.



DESCRIPCION: CONN DIAGRAM-NAMEPLATE

TAMAÑO: B NUMERO DE DIBUJO: 17564810

ESCALA: NONE HOJA: 1

4

3

2

1