

PRODUCT INFORMATION PACKET



Model No: H851V3
Catalog No: H851V3
0.75 HP General Purpose Motor, 3 phase, 1800 RPM, 200-230/460 V, 56 Frame, ODP
General Purpose Motors



Regal and Century are trademarks of Regal Rexnord Corporation or one of its affiliated companies.
©2021 Regal Rexnord Corporation, All Rights Reserved. MC017097E





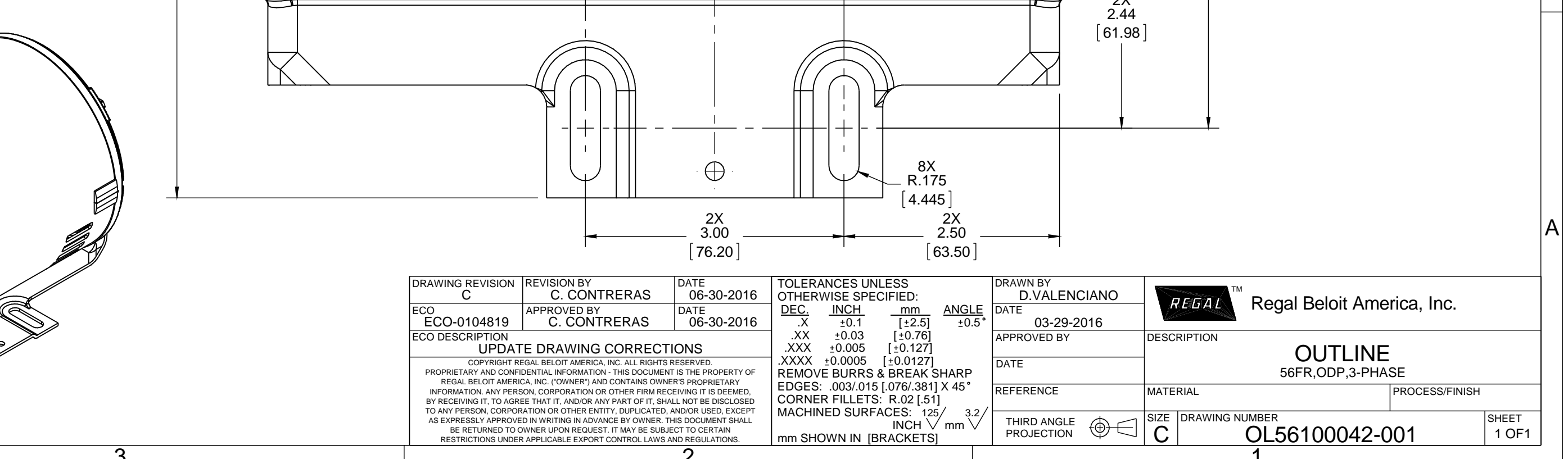
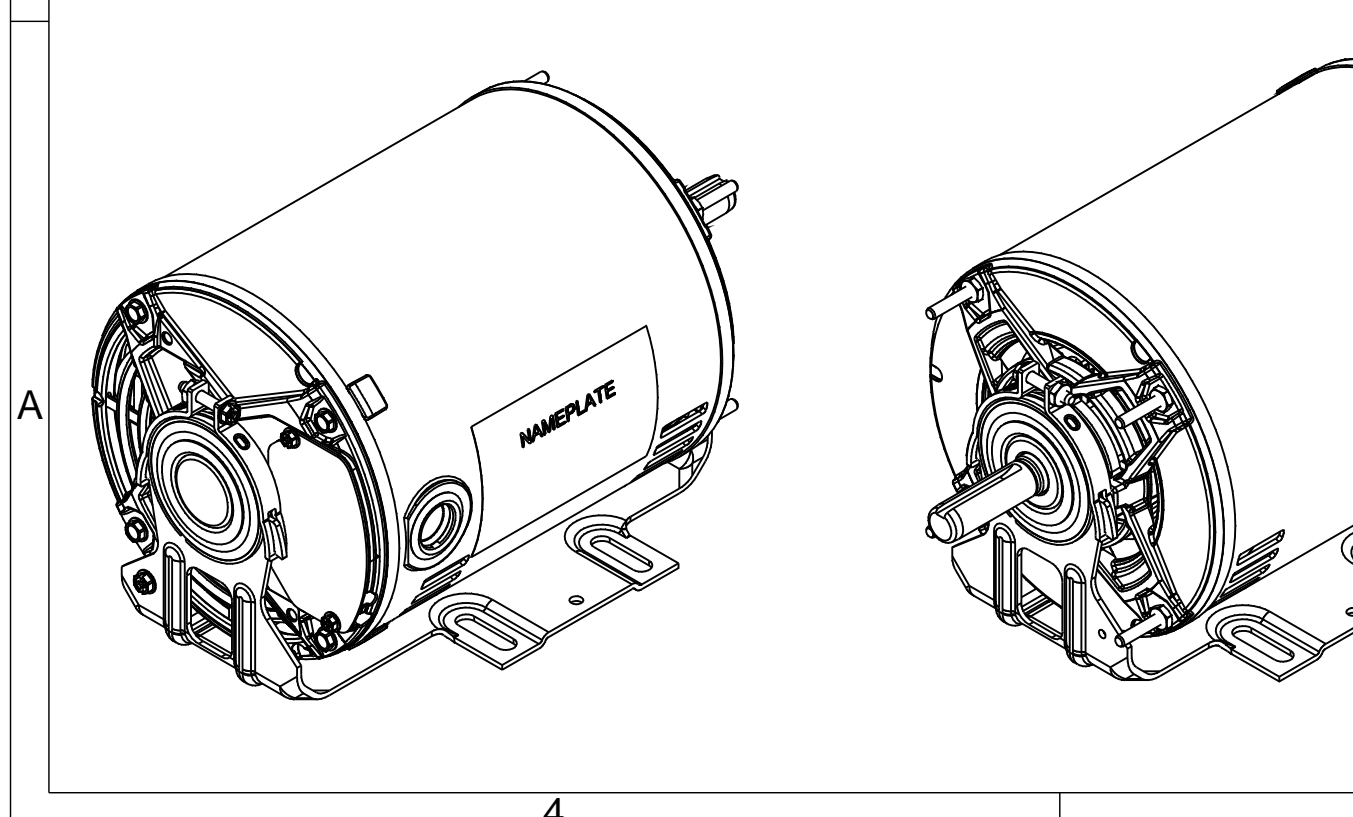
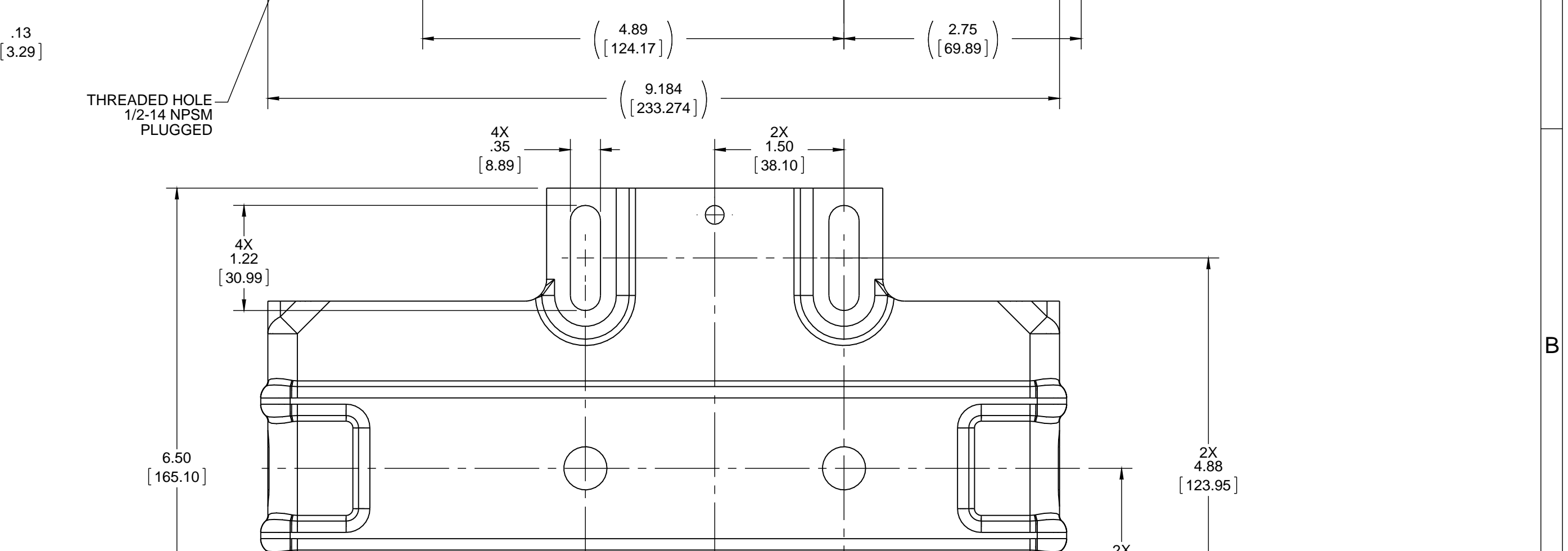
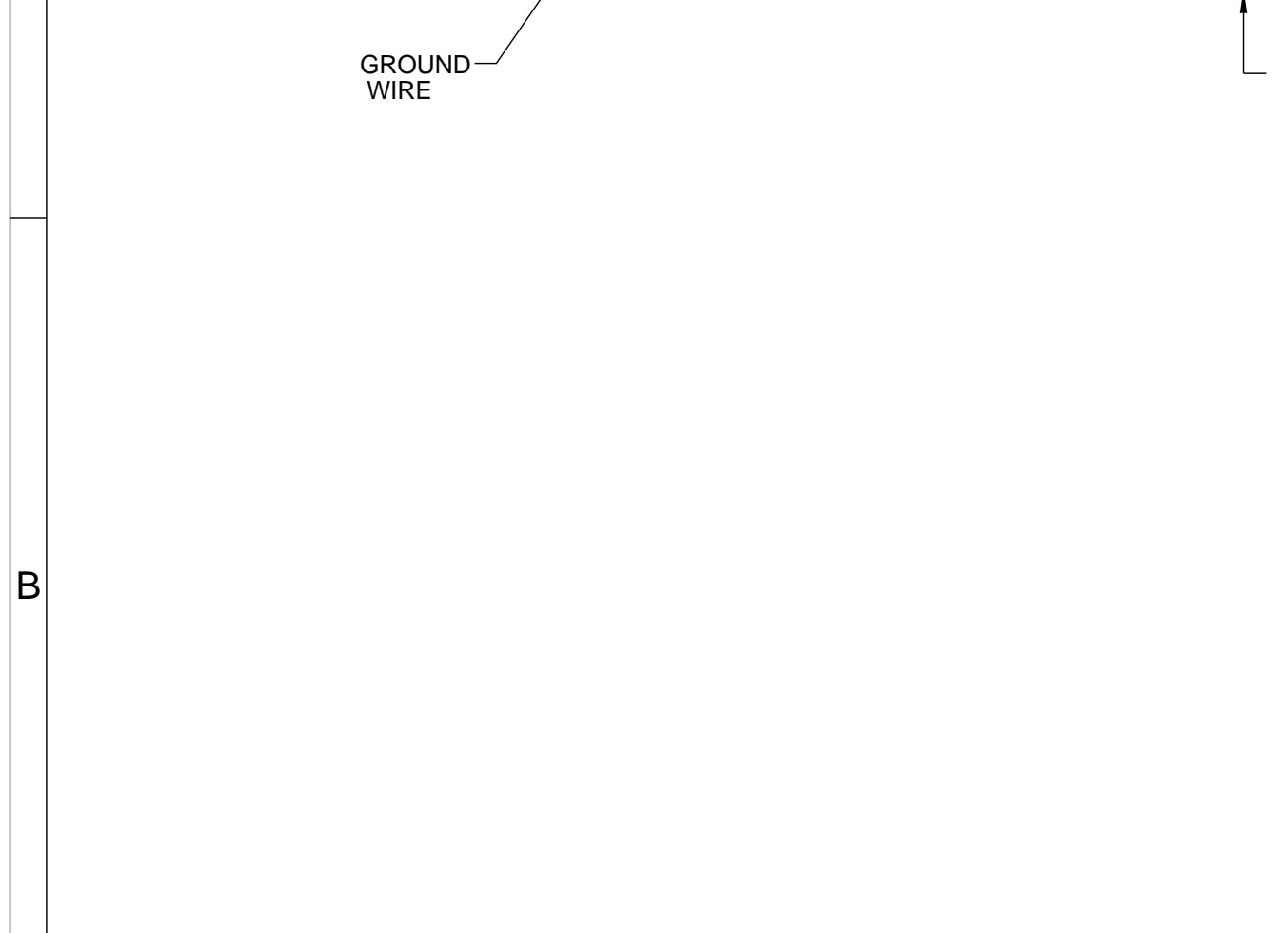
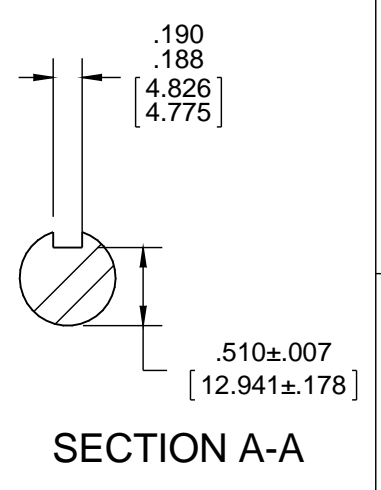
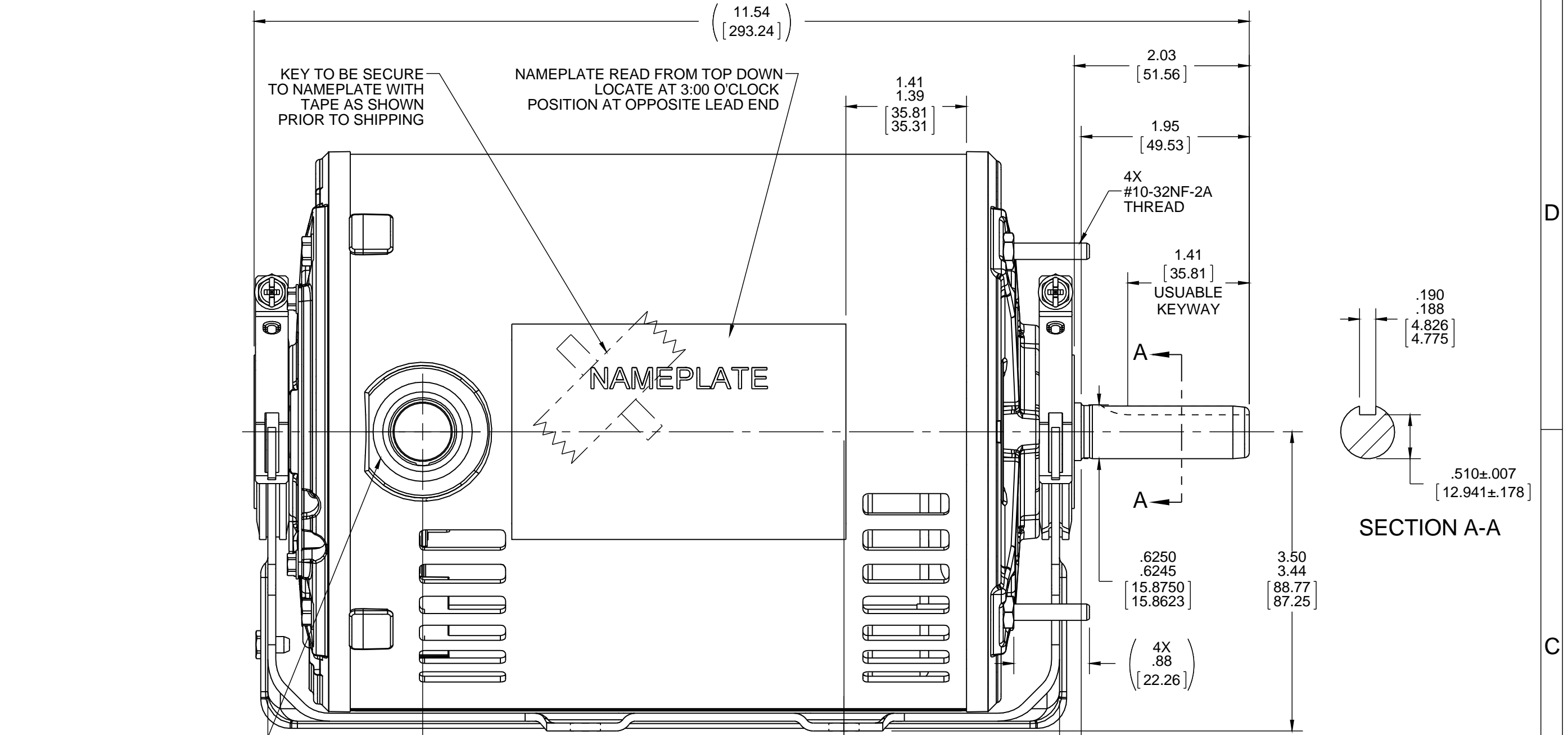
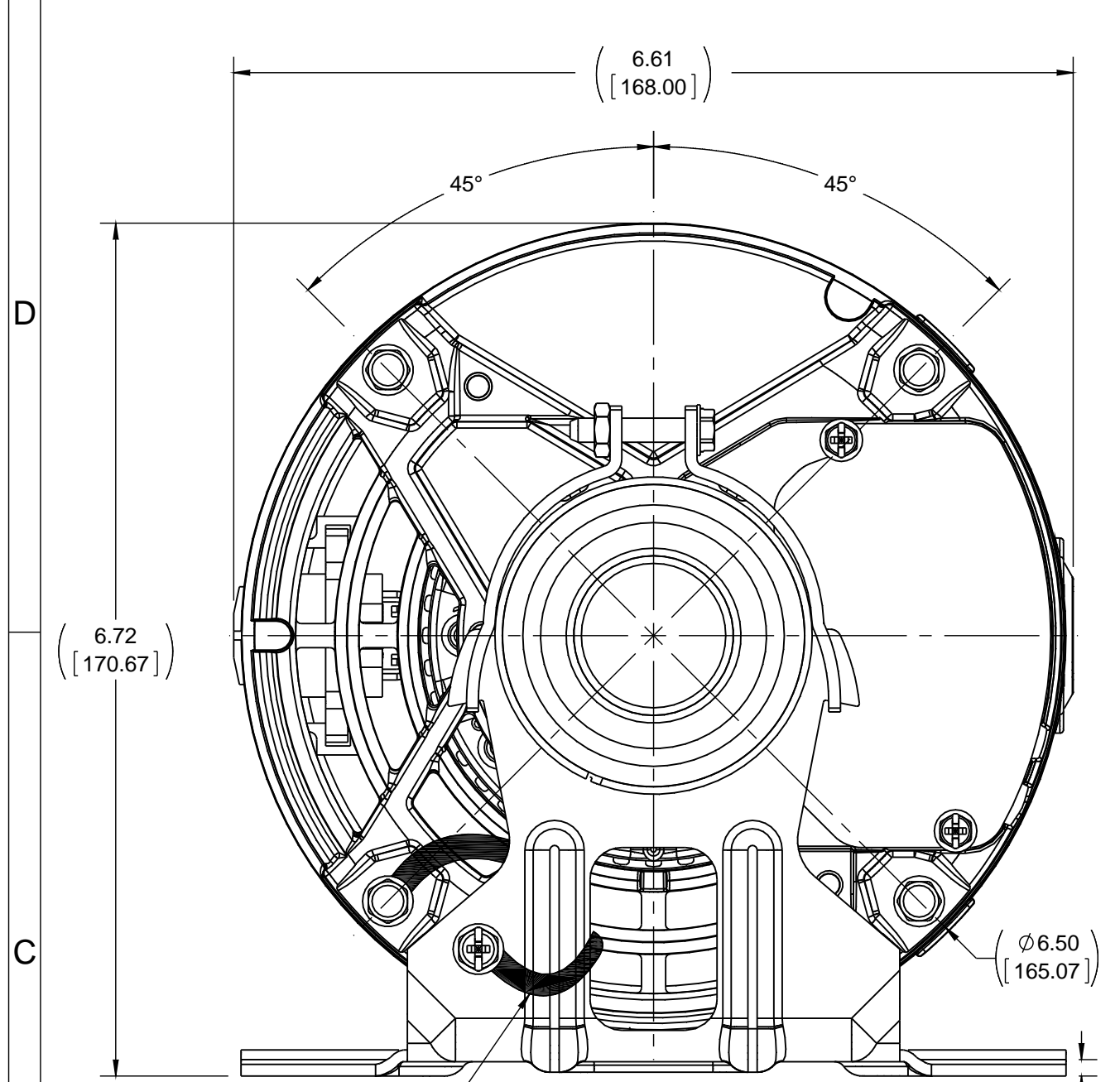
Nameplate Specifications

Output HP	0.75 Hp	Output KW	0.56 kW
Frequency	60 Hz	Voltage	200-230/460 V
Current	3.0-3.2/1.6 A	Speed	1725 rpm
Service Factor	1.25	Phase	3
Duty	Continuous	Insulation Class	B
Frame	56	Enclosure	Drip Proof
Thermal Protection	Thermally Protected	Ambient Temperature	40 °C
UL	Recognized	CSA	Y
CE	Y	Number of Speeds	1

Technical Specifications

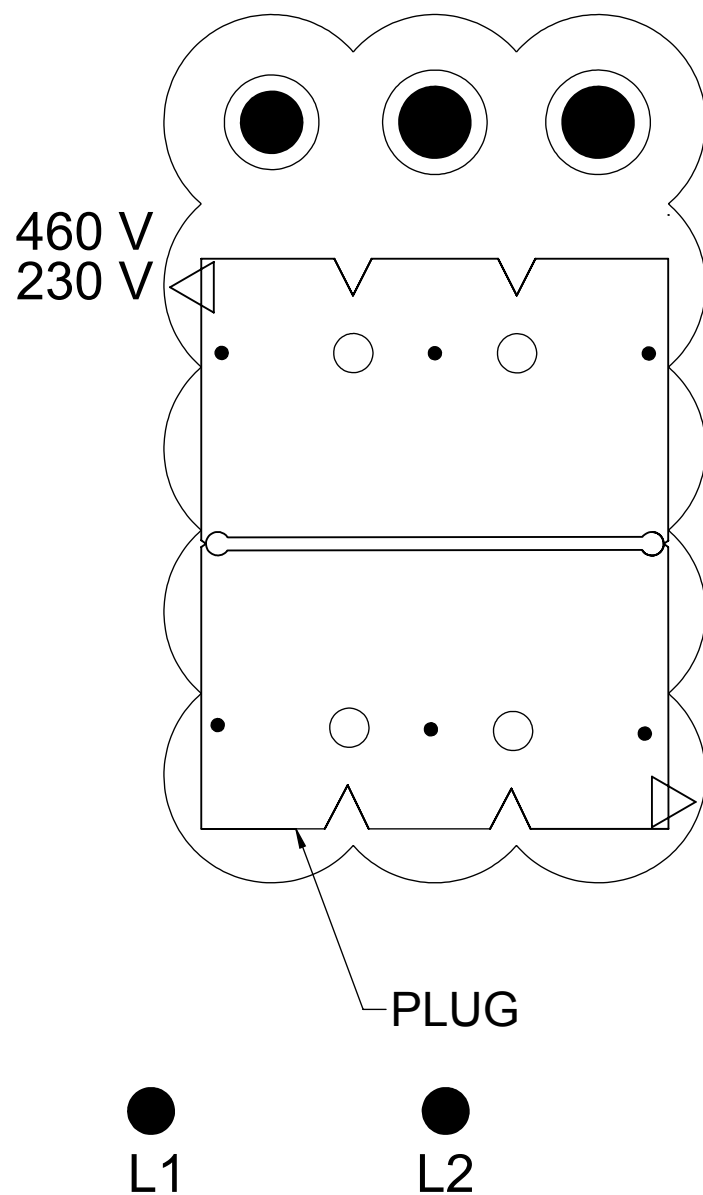
Electrical Type	Three Phase	Starting Method	Across The Line
Poles	4	Rotation	Reversible
Mounting	Resilient Base	Drive End Bearing	Ball
Opp Drive End Bearing	Ball	Frame Material	Rolled Steel
Shaft Type	NEMA 56	Overall Length	11.54 in
Frame Length	7.25 in	Shaft Diameter	0.625 in
Shaft Extension	2.03 in		
Outline Drawing	OL56100042-001	Connection Drawing	DD10027-001

This is an uncontrolled document once printed or downloaded and is subject to change without notice. Date Created:10/07/2021

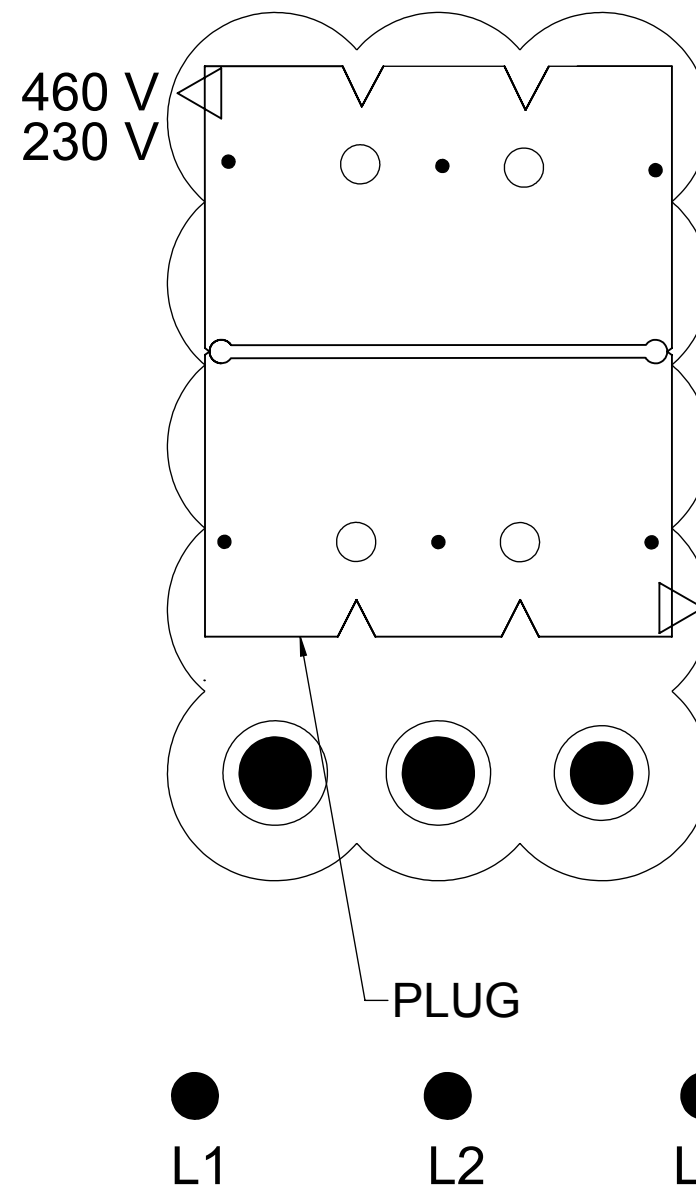


DRAWING REVISION C	REVISION BY C. CONTRERAS	DATE 06-30-2016	TOLERANCES UNLESS OTHERWISE SPECIFIED: DEC. INCH mm ANGLE	DRAWN BY D. VALENCIANO	Regal Beloit America, Inc.
ECO ECO-0104819	APPROVED BY C. CONTRERAS	DATE 06-30-2016	.X ±0.1 [±2.5] .XX ±0.03 [±0.76] .XXX ±0.005 [±0.127] .XXXX ±0.0005 [±0.0127]	DATE 03-29-2016	
ECO DESCRIPTION UPDATE DRAWING CORRECTIONS			REMOVE BURRS & BREAK SHARP EDGES: 003/015 [076/381] X 45° CORNER FILLETS: R.02 [51] MACHINED SURFACES: 125/3.2 INCH/mm SHOWN IN [BRACKETS]	APPROVED BY	DESCRIPTION OUTLINE 56FR,ODP,3-PHASE
<small>COPYRIGHT REGAL BELOIT AMERICA, INC. ALL RIGHTS RESERVED. PROPRIETARY AND CONFIDENTIAL INFORMATION - THIS DOCUMENT IS THE PROPERTY OF REGAL BELOIT AMERICA, INC. ("OWNER") AND CONTAINS OWNER'S PROPRIETARY INFORMATION. ANY PERSON, CORPORATION OR OTHER FIRM RECEIVING IT IS DEEMED, BY RECEIVING IT, TO AGREE THAT IT, AND/OR ANY PART OF IT, SHALL NOT BE DISCLOSED TO ANY PERSON, CORPORATION OR OTHER ENTITY, DUPLICATED, AND/OR USED, EXCEPT AS EXPRESSLY APPROVED IN WRITING IN ADVANCE BY OWNER. THIS DOCUMENT SHALL BE RETURNED TO OWNER UPON REQUEST. IT MAY BE SUBJECT TO CERTAIN RESTRICTIONS UNDER APPLICABLE EXPORT CONTROL LAWS AND REGULATIONS.</small>			8X R.175 [4.445] 2X 3.00 [76.20] 2X 2.50 [63.50]	DATE	MATERIAL
				REFERENCE	PROCESS/FINISH
				THIRD ANGLE PROJECTION	SIZE C
				DRAWING NUMBER OL56100042-001	SHEET 1 OF 1

LOW VOLTAGE



HIGH VOLTAGE



NOTES:

TO CHANGE VOLTAGE:

1. POWER MUST NOT BE CONNECTED.
2. PULL SELECTOR PLUG OUT.
3. SHIFT PLUG TO ALIGN ARROW TO 460V FOR HIGH VOLTAGE OR 230V FOR LOW VOLTAGE AS DESIRED.
4. PUSH PLUG BACK IN

DD10027-001

ROTATION CCW-LE TO REVERSE INTERCHANGE ANY TWO LINE LEADS.

PLATE: 41365

SLOT: 22

DRAWING REVISION A	REVISION BY G. RODRIGUEZ	DATE 04-06-2016	TOLERANCES UNLESS OTHERWISE SPECIFIED: DEC. INCH mm ANGLE .X ±0.1 [±2.5] .XX ±0.01 [±0.25] .XXX ±0.005 [±0.127] .XXXX ±0.0005 [±0.0127] REMOVE BURRS & BREAK SHARP EDGES: .003/.015 [0.076/.381] X 45° CORNER FILLETS: R.02 [51] MACHINED SURFACES: 125 3.2 INCH mm mm SHOWN IN [BRACKETS]	DRAWN BY G. RODRIGUEZ	REGAL ™ Regal Beloit America, Inc.
ECO	APPROVED BY E. MARTINEZ	DATE PLUG 04-06-2016		DATE 04-06-2016	
ECO DESCRIPTION				APPROVED BY E. MARTINEZ	DESCRIPTION CONN DIAGRAM-NAMEPLATE
<small>COPYRIGHT REGAL BELOIT AMERICA, INC. ALL RIGHTS RESERVED. PROPRIETARY AND CONFIDENTIAL INFORMATION - THIS DOCUMENT IS THE PROPERTY OF REGAL BELOIT AMERICA, INC. ("OWNER") AND CONTAINS OWNER'S PROPRIETARY INFORMATION. ANY PERSON, CORPORATION OR OTHER FIRM RECEIVING IT IS DEEMED, BY RECEIVING IT, TO AGREE THAT IT, AND/OR ANY PART OF IT, SHALL NOT BE DISCLOSED TO ANY PERSON, CORPORATION OR OTHER ENTITY, DUPLICATED, AND/OR USED, EXCEPT AS EXPRESSLY APPROVED IN WRITING IN ADVANCE BY OWNER. THIS DOCUMENT SHALL BE RETURNED TO OWNER UPON REQUEST. IT MAY BE SUBJECT TO CERTAIN RESTRICTIONS UNDER APPLICABLE EXPORT CONTROL LAWS AND REGULATIONS.</small>				DATE 04-06-2016	
				REFERENCE	MATERIAL
				THIRD ANGLE PROJECTION	PROCESS/FINISH
				SIZE B	DRAWING NUMBER DD10027-001
					SHEET 1 OF 1