

PRODUCT INFORMATION PACKET



Model No: H880LES
Catalog No: H880LES

Replaced by 056T17DRR70021A1 (G905A) once inventory depleted -1/2,1725,DP,56,3/60/230/460
General Purpose Motors



Regal and Century are trademarks of Regal Rexnord Corporation or one of its affiliated companies.
©2021 Regal Rexnord Corporation, All Rights Reserved. MC017097E





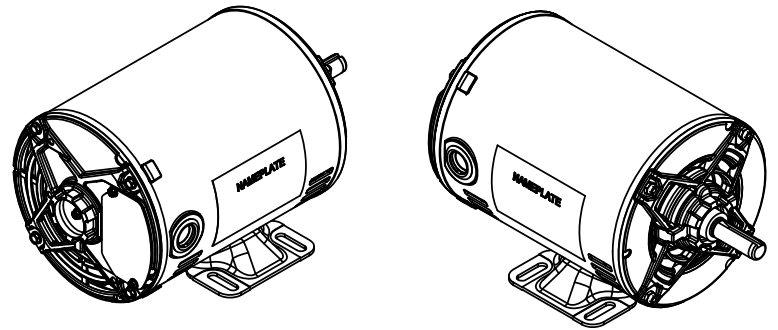
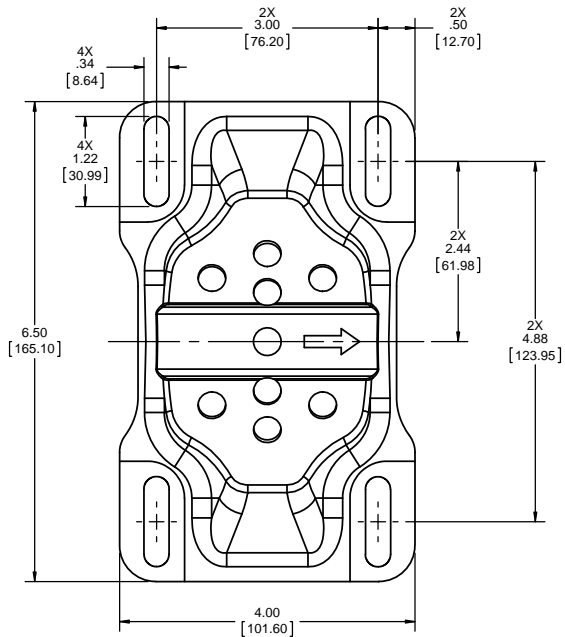
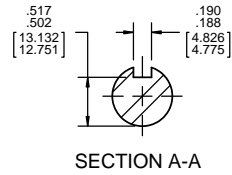
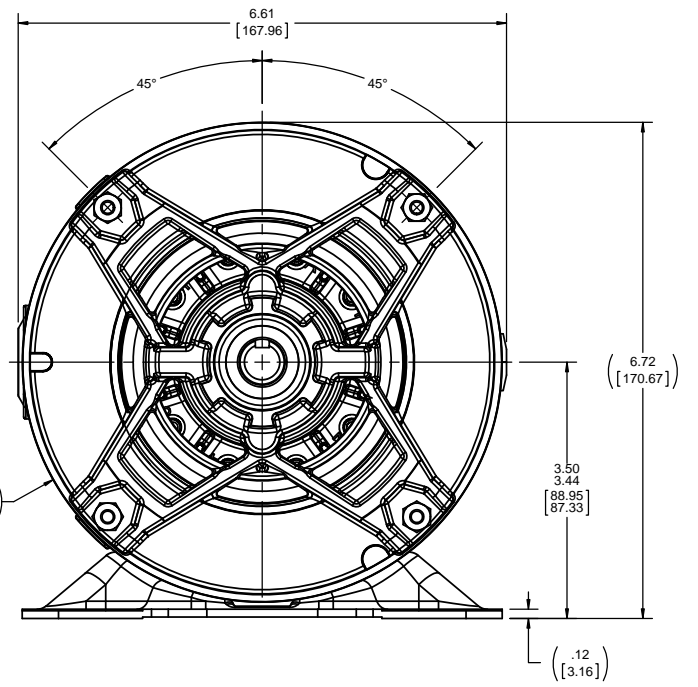
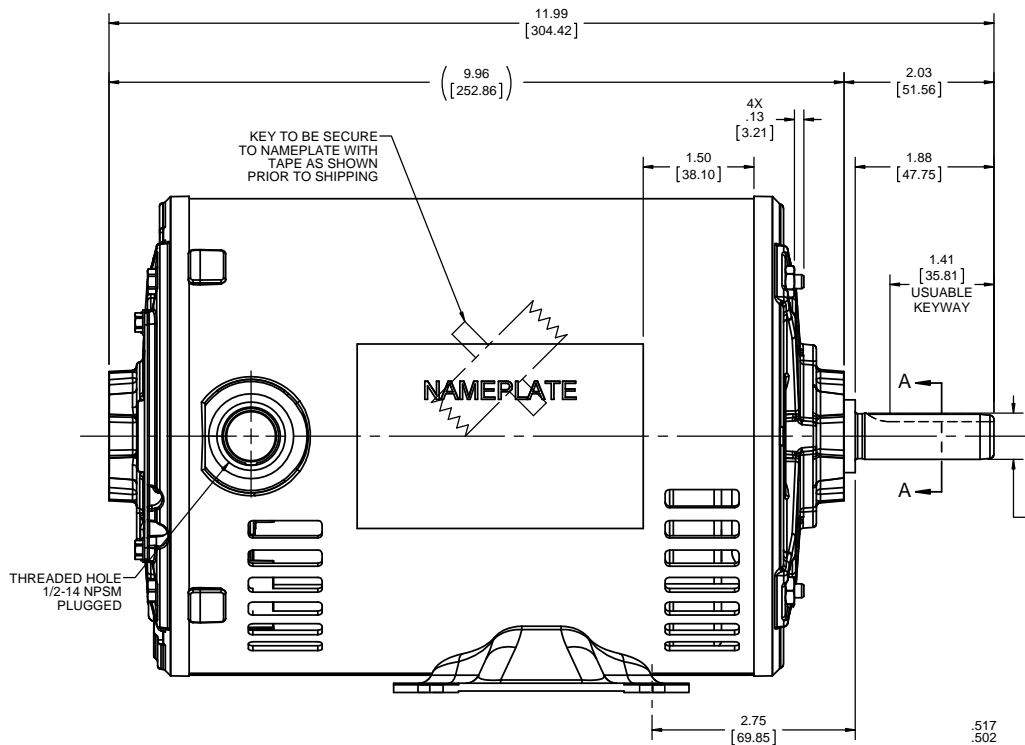
Nameplate Specifications


Output HP	0.5 Hp	Output KW	0.37 kW
Frequency	60 Hz	Voltage	230/460 V
Current	1.8/0.9 A	Speed	1725 rpm
Service Factor	1.25	Phase	3
Duty	Continuous	Insulation Class	B
Frame	56	Enclosure	Drip Proof
Thermal Protection	Thermally Protected	Ambient Temperature	40 °C
UL	Recognized	CSA	Y
CE	Y	Number of Speeds	1

Technical Specifications

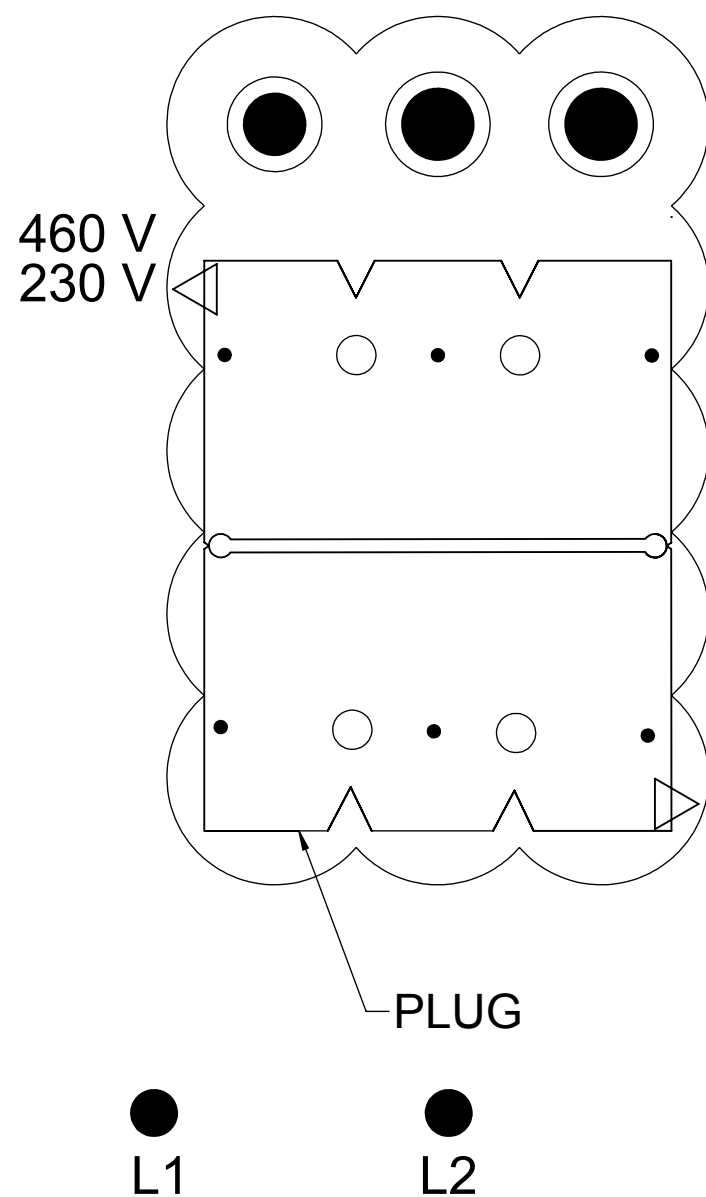
Electrical Type	Three Phase	Starting Method	Across The Line
Poles	4	Rotation	Reversible
Mounting	Rigid Base	Drive End Bearing	Ball
Opp Drive End Bearing	Ball	Frame Material	Rolled Steel
Shaft Type	NEMA 56	Overall Length	11.99 in
Frame Length	7.74 in	Shaft Diameter	0.625 in
Shaft Extension	1.88 in		
Connection Drawing	DD10027-001	Outline Drawing	OL56100173-001

This is an uncontrolled document once printed or downloaded and is subject to change without notice. Date Created:10/11/2021

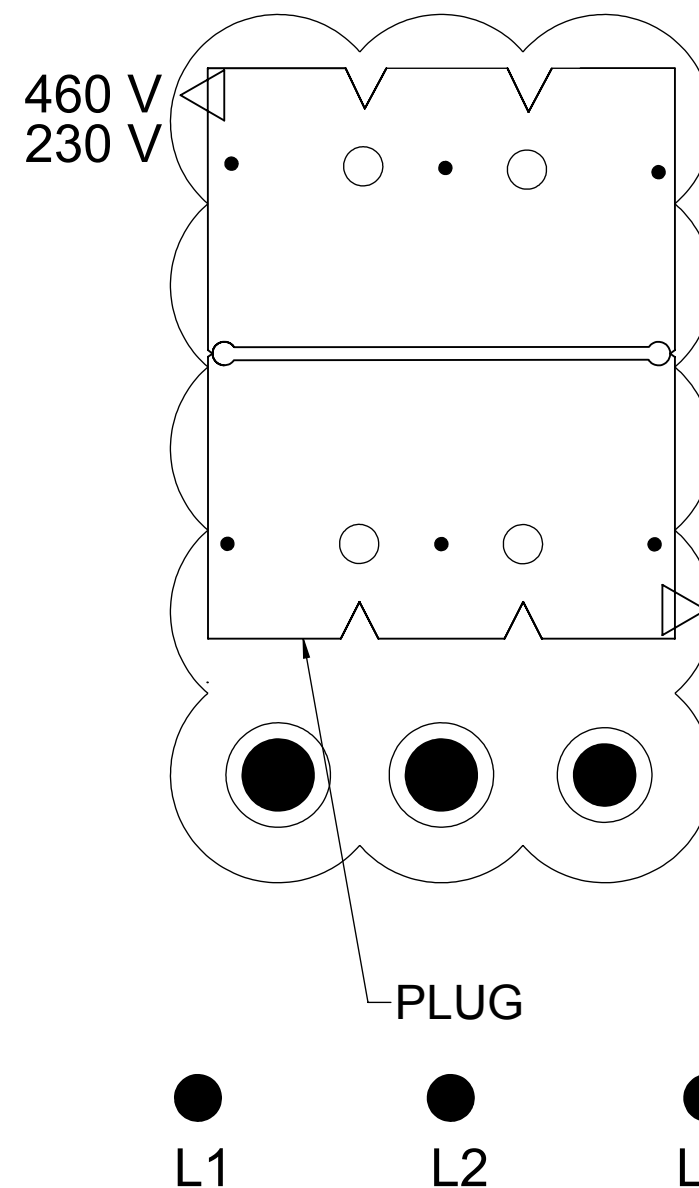


DRAWING REVISION A	REVISION BY D.VALENCIANO	DATE 10-24-2016	TOLERANCES UNLESS OTHERWISE SPECIFIED: DEC. INCH mm ANGLE .X ±0.1 [±2.5] 0.5° .XX ±0.02 [±0.51] .XXX ±0.005 [±0.127] .XXXX ±0.0005 [±0.0127] REMOVE BURRS & BREAK SHARP EDGES: .003/.015 [0.076/.381] X 45° CORNER FILLETS: R.02 [51] MACHINED SURFACES: 125 √mm 3/2 mm SHOWN IN [BRACKETS]	DRAWN BY D.VALENCIANO	 Regal Beloit America, Inc.
ECO-0111615	APPROVED BY J.ORTEGA	DATE 10-24-2016	DATE 10-24-2016	DATE 10-24-2016	
ECO DESCRIPTION NEW MODEL RELEASE			REFERENCE	DESCRIPTION 56FR,ODP,3-PHASE,RIGID	MATERIAL
<small>COPYRIGHT REGAL BELOIT AMERICA, INC. ALL RIGHTS RESERVED. PROPRIETARY AND CONFIDENTIAL INFORMATION - THIS DOCUMENT IS THE PROPERTY OF REGAL BELOIT AMERICA, INC. FORMERLY AND CONTAINS OWNERS PROPRIETARY INFORMATION. ANY PERSON, CORPORATION OR OTHER FIRM RECEIVING IT IS DEEMED, BY RECEIVING IT, TO AGREE THAT IT, AND/OR ANY PART OF IT, SHALL NOT BE DISCLOSED TO ANY PERSON, CORPORATION OR OTHER ENTITY, DUPLICATED, AND/OR USED, EXCEPT AS EXPRESSLY APPROVED IN WRITING IN ADVANCE BY OWNER. THIS DOCUMENT SHALL BE RETURNED TO OWNER UPON REQUEST. IT MAY BE SUBJECT TO CERTAIN RESTRICTIONS UNDER APPLICABLE EXPORT CONTROL LAWS AND REGULATIONS.</small>			THIRD ANGLE PROJECTION	PROCESS FINISH	SIZE C
			DRAWING NUMBER OL56100173-001	SHEET 1 OF 1	

LOW VOLTAGE



HIGH VOLTAGE



- NOTES:
- TO CHANGE VOLTAGE:
1. POWER MUST NOT BE CONNECTED.
 2. PULL SELECTOR PLUG OUT.
 3. SHIFT PLUG TO ALIGN ARROW TO 460V FOR HIGH VOLTAGE OR 230V FOR LOW VOLTAGE AS DESIRED.
 4. PUSH PLUG BACK IN

DD10027-001

ROTATION CCW-LE TO REVERSE INTERCHANGE ANY TWO LINE LEADS.

PLATE: 41365

SLOT: 22

DRAWING REVISION A	REVISION BY G. RODRIGUEZ	DATE 04-06-2016	TOLERANCES UNLESS OTHERWISE SPECIFIED:		DRAWN BY G. RODRIGUEZ	REGAL ™ Regal Beloit America, Inc.
ECO	APPROVED BY E. MARTINEZ	DATE PLUG 04-06-2016	DEC.	INCH	DATE 04-06-2016	
ECO DESCRIPTION			mm	ANGLE	APPROVED BY E. MARTINEZ	DESCRIPTION CONN DIAGRAM-NAMEPLATE
<small>COPYRIGHT REGAL BELOIT AMERICA, INC. ALL RIGHTS RESERVED. PROPRIETARY AND CONFIDENTIAL INFORMATION - THIS DOCUMENT IS THE PROPERTY OF REGAL BELOIT AMERICA, INC. ("OWNER") AND CONTAINS OWNER'S PROPRIETARY INFORMATION. ANY PERSON, CORPORATION OR OTHER FIRM RECEIVING IT IS DEEMED, BY RECEIVING IT, TO AGREE THAT IT, AND/OR ANY PART OF IT, SHALL NOT BE DISCLOSED TO ANY PERSON, CORPORATION OR OTHER ENTITY, DUPLICATED, AND/OR USED, EXCEPT AS EXPRESSLY APPROVED IN WRITING IN ADVANCE BY OWNER. THIS DOCUMENT SHALL BE RETURNED TO OWNER UPON REQUEST. IT MAY BE SUBJECT TO CERTAIN RESTRICTIONS UNDER APPLICABLE EXPORT CONTROL LAWS AND REGULATIONS.</small>			.X ±0.1 [±2.5] .XX ±0.01 [±0.25] .XXX ±0.005 [±0.127] .XXXX ±0.0005 [±0.0127]	±0.5°	DATE 04-06-2016	MATERIAL
			REMOVE BURRS & BREAK SHARP EDGES: .003/.015 [0.076/.381] X 45° CORNER FILLETS: R.02 [51]	MACHINED SURFACES: 125 3.2 INCH mm	REFERENCE	PROCESS/FINISH
			mm SHOWN IN [BRACKETS]		THIRD ANGLE PROJECTION	SIZE B
						DRAWING NUMBER DD10027-001
						SHEET 1 OF 1