

PRODUCT INFORMATION PACKET



Model No: H881ES
Catalog No: H881ES
0.75 HP General Purpose Motor, 3 phase, 1800 RPM, 230/460 V, 56 Frame, ODP
General Purpose Motors



Regal and Century are trademarks of Regal Rexnord Corporation or one of its affiliated companies.
©2021 Regal Rexnord Corporation, All Rights Reserved. MC017097E





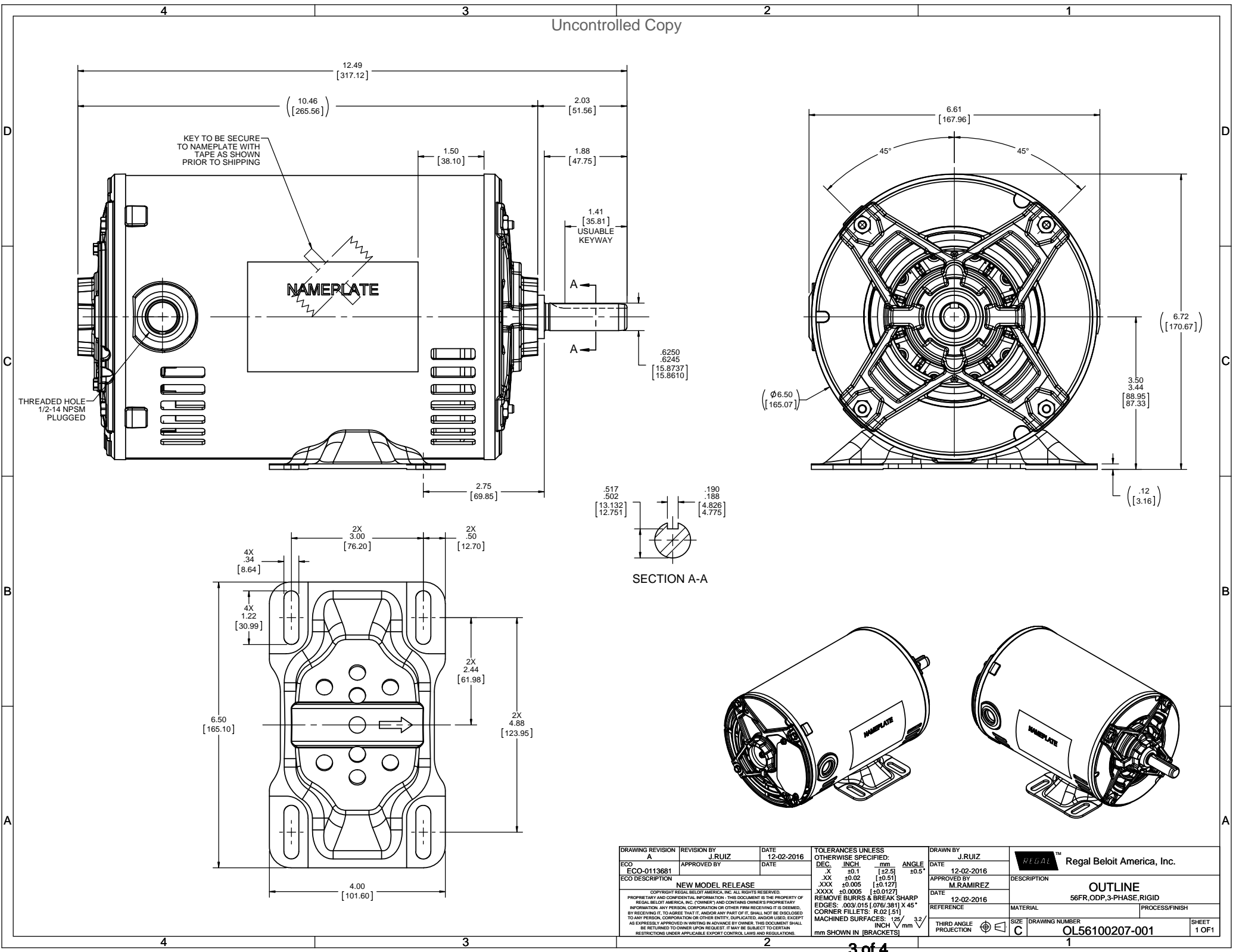
Nameplate Specifications

| | | | |
|--------------------|----------------------------|---------------------|-------------------|
| Output HP | 0.75 Hp | Output KW | 0.56 kW |
| Frequency | 60 Hz | Voltage | 230/460 V |
| Current | 2.6/1.3 A | Speed | 1725 rpm |
| Service Factor | 1.25 | Phase | 3 |
| Duty | Continuous | Insulation Class | B |
| Frame | 56 | Enclosure | Drip Proof |
| Thermal Protection | Thermally Protected | Ambient Temperature | 40 °C |
| UL | Recognized | CSA | Y |
| CE | Y | Number of Speeds | 1 |

Technical Specifications

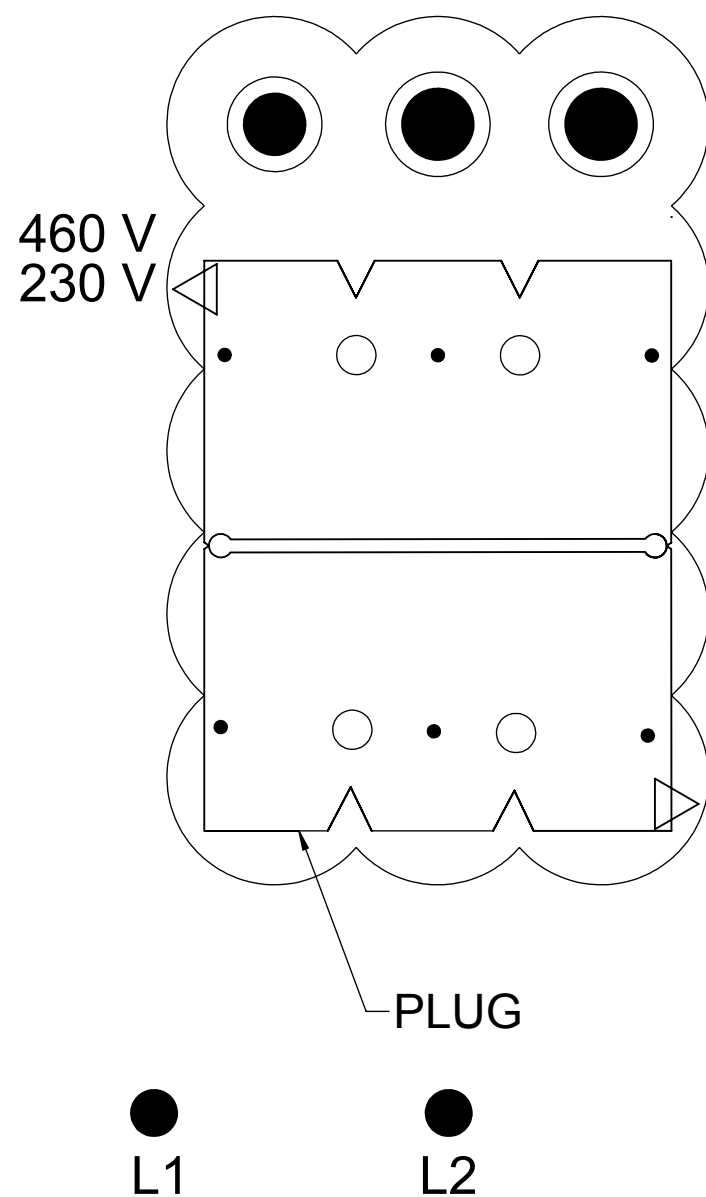
| | | | |
|-----------------------|-----------------------|--------------------|------------------------|
| Electrical Type | Three Phase | Starting Method | Across The Line |
| Poles | 4 | Rotation | Reversible |
| Mounting | Rigid Base | Drive End Bearing | Ball |
| Opp Drive End Bearing | Ball | Frame Material | Rolled Steel |
| Shaft Type | NEMA 56 | Overall Length | 12.49 in |
| Frame Length | 8.24 in | Shaft Diameter | 0.625 in |
| Shaft Extension | 1.88 in | | |
| Outline Drawing | OL56100207-001 | Connection Drawing | DD10027-001 |

This is an uncontrolled document once printed or downloaded and is subject to change without notice. Date Created:10/07/2021

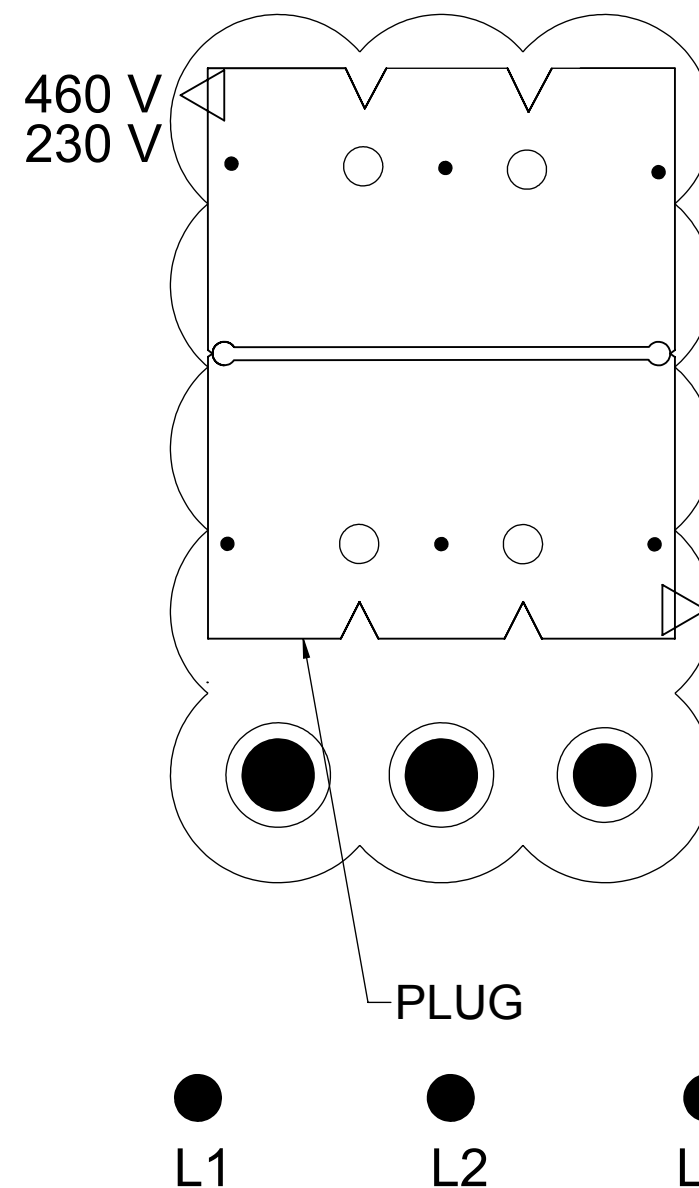


| | | | | | | | |
|--|--|---|--------------------|--|----------------------------------|--------------------------|----------------------------|
| DRAWING REVISION A | | REVISION BY J.RUIZ | DATE 12-02-2016 | TOLERANCES UNLESS OTHERWISE SPECIFIED: DEC. INCH mm ANGLE | | DRAWN BY J.RUIZ | Regal Beloit America, Inc. |
| ECO-0113681 | | APPROVED BY M.RAMIREZ | DATE 12-02-2016 | .X ±0.1 [±2.5] | ±0.5° | DATE 12-02-2016 | |
| ECO DESCRIPTION NEW MODEL RELEASE | | DATE 12-02-2016 | | .XX ±0.02 [±0.51] | | APPROVED BY M.RAMIREZ | DESCRIPTION OUTLINE |
| COPYRIGHT REGAL BELOIT AMERICA, INC. ALL RIGHTS RESERVED. PROPRIETARY AND CONFIDENTIAL INFORMATION - THIS DOCUMENT IS THE PROPERTY OF REGAL BELOIT AMERICA, INC. FORMERLY AND CONTAINS OWNER'S PROPRIETARY INFORMATION. ANY PERSON, CORPORATION OR OTHER FIRM RECEIVING IT IS DEEMED, BY RECEIVING IT, TO AGREE THAT IT, AND/OR ANY PART OF IT, SHALL NOT BE DISCLOSED TO ANY PERSON, CORPORATION OR OTHER ENTITY, DUPLICATED, AND/OR USED, EXCEPT AS EXPRESSLY APPROVED IN WRITING IN ADVANCE BY OWNER. THIS DOCUMENT SHALL BE RETURNED TO OWNER UPON REQUEST. IT MAY BE SUBJECT TO CERTAIN RESTRICTIONS UNDER APPLICABLE EXPORT CONTROL LAWS AND REGULATIONS. | | REMOVE BURRS & BREAK SHARP EDGES: .003/.015 [0.076/.381] X 45° CORNER FILLETS: R.02 [51] MACHINED SURFACES: 125 /mm 3/2 mm SHOWN IN [BRACKETS] | | REFERENCE | MATERIAL | PROCESS FINISH | |
| | | THIRD ANGLE PROJECTION | | SIZE C | DRAWING NUMBER OL56100207-001 | SHEET 1 OF 1 | |

LOW VOLTAGE



HIGH VOLTAGE



NOTES:

TO CHANGE VOLTAGE:

1. POWER MUST NOT BE CONNECTED.
2. PULL SELECTOR PLUG OUT.
3. SHIFT PLUG TO ALIGN ARROW TO 460V FOR HIGH VOLTAGE OR 230V FOR LOW VOLTAGE AS DESIRED.
4. PUSH PLUG BACK IN

DD10027-001

ROTATION CCW-LE TO REVERSE INTERCHANGE ANY TWO LINE LEADS.

PLATE: 41365

SLOT: 22

| | | | | | | |
|---|-----------------------------|-------------------------|--|---------|-------------------------------|---------------------------------------|
| DRAWING REVISION A | REVISION BY G. RODRIGUEZ | DATE 04-06-2016 | TOLERANCES UNLESS OTHERWISE SPECIFIED: | | DRAWN BY G. RODRIGUEZ | Regal Beloit America, Inc. |
| ECO | APPROVED BY E. MARTINEZ | DATE PLUG 04-06-2016 | DEC. | INCH | mm | |
| ECO DESCRIPTION | | | .X | ±0.1 | [±2.5] | ±0.5° |
| <small>COPYRIGHT REGAL BELOIT AMERICA, INC. ALL RIGHTS RESERVED. PROPRIETARY AND CONFIDENTIAL INFORMATION - THIS DOCUMENT IS THE PROPERTY OF REGAL BELOIT AMERICA, INC. ("OWNER") AND CONTAINS OWNER'S PROPRIETARY INFORMATION. ANY PERSON, CORPORATION OR OTHER FIRM RECEIVING IT IS DEEMED, BY RECEIVING IT, TO AGREE THAT IT, AND/OR ANY PART OF IT, SHALL NOT BE DISCLOSED TO ANY PERSON, CORPORATION OR OTHER ENTITY, DUPLICATED, AND/OR USED, EXCEPT AS EXPRESSLY APPROVED IN WRITING IN ADVANCE BY OWNER. THIS DOCUMENT SHALL BE RETURNED TO OWNER UPON REQUEST. IT MAY BE SUBJECT TO CERTAIN RESTRICTIONS UNDER APPLICABLE EXPORT CONTROL LAWS AND REGULATIONS.</small> | | | .XX | ±0.01 | [±0.25] | |
| | | | .XXX | ±0.005 | [±0.127] | |
| | | | .XXXX | ±0.0005 | [±0.0127] | |
| | | | REMOVE BURRS & BREAK SHARP EDGES: .003/.015 [0.076/.381] X 45° CORNER FILLETS: R.02 [51] MACHINED SURFACES: 125 INCH 3.2 mm | | | |
| | | | mm SHOWN IN [BRACKETS] | | THIRD ANGLE PROJECTION | SIZE B |
| | | | | | DATE 04-06-2016 | DESCRIPTION CONN DIAGRAM-NAMEPLATE |
| | | | | | REFERENCE | MATERIAL |
| | | | | | DRAWING NUMBER DD10027-001 | PROCESS/FINISH |
| | | | | | SHEET 1 OF 1 | |