

PRODUCT INFORMATION PACKET



Model No: H961
Catalog No: H961
Condenser Fan Motor, 3/4 HP, 3 Ph, 60 Hz, 575 V, 1200 RPM, L56Y Frame, OAO



Regal and Century are trademarks of Regal Rexnord Corporation or one of its affiliated companies.
©2023 Regal Rexnord Corporation, All Rights Reserved. MC017097E





Nameplate Specifications

Output HP	3/4 Hp	Output KW	0.56 kW
Frequency	60 Hz	Voltage	575 V
Current	1.25 A	Speed	1140 rpm
Service Factor	1	Phase	3
Duty	Continuous Air Over	Insulation Class	B
Frame	L56Y	Enclosure	Open Air Over
Thermal Protection	Thermally Protected	Ambient Temperature	60 °C
UL	Recognized	CSA	Y
CE	N	Number of Speeds	1

Technical Specifications

Electrical Type	Polyphase, Induction Type, Single Or Dual Voltage	Starting Method	Across The Line
Poles	6	Rotation	Reversible Clockwise
Mounting	Round	Drive End Bearing	Ball
Opp Drive End Bearing	Ball	Frame Material	Rolled Steel
Shaft Type	Keyed	Overall Length	16.31 in
Frame Length	6.25 in	Shaft Diameter	0.625 in
Shaft Extension	6.06 in		
Connection Drawing	17050418.PCX	Outline Drawing	H961-S01

This is an uncontrolled document once printed or downloaded and is subject to change without notice. Date Created:03/15/2023

4

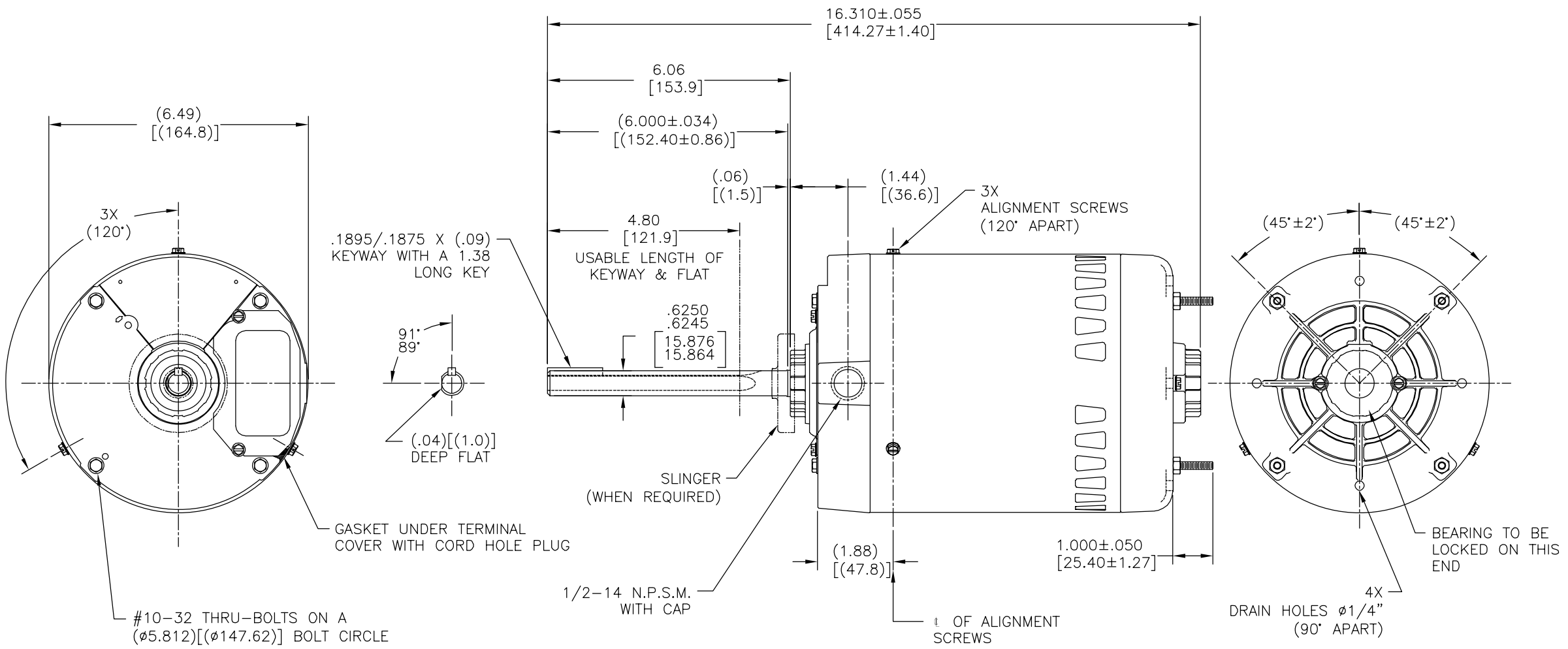
3

2

1

REV	ECO	REV BY	DATE	APPD	DATE
C	ECO-0025383	T.HUANG	04-17-2012	B.C.SHEN	04-17-2012

NOTES
 ALL DIMENSIONS SHOWN IN PARENTHESIS ARE REFERENCE DIMENSIONS. ALL OTHER DIMENSIONS ARE TOLERANCED PER THE FOLLOWING CHART UNLESS OTHERWISE SPECIFIED.



GEOMETRIC CHARACTERISTICS & SYMBOLS

- ▭ FLATNESS
- STRAIGHTNESS
- ∠ ANGULARITY
- ⊥ PERPENDICULARITY (SQUARENESS)
- // PARALLELISM
- ROUNDNESS (CIRCULARITY)
- ⊘ CYLINDRICITY
- △ PROFILE OF ANY SURFACE
- ∧ PROFILE OF ANY LINE
- ↗ RUNOUT
- ⊕ TRUE POSITION
- ⊙ CONCENTRICITY
- ≡ SYMMETRY

ASME Y14.5M 1994

UNLESS OTHERWISE SPECIFIED DIM. TOLERANCES ARE AS FOLLOWS:

INCH	±.1	±.02	±.005	±.0005
mm	±0.5	±0.13	±0.013	

ANG. ±.50 DEG
 REMOVE BURRS & BREAK SHARP EDGES:
 INCH .003-.015 mm 0.1-0.4
 CORNER FILLETS TO:
 INCH .020 mm 0.5
 MACHINE SURFACES:
 INCH 125 mm 3.2

METRIC DIMS. SHOWN IN [BRACKETS]

DR BY: Jesus M. Ramirez 02-22-2011

APPD: Samuel Jimenez 02-22-2011

THIRD ANGLE PROJECTION

EDS DATE 11-11-2011
 FORMAT REV G

CONFIDENTIAL: THIS DRAWING AND ITS INFORMATION ARE THE EXCLUSIVE AND CONFIDENTIAL PROPERTY OF REGAL-BELOIT CORPORATION AND ARE NOT TO BE DISCLOSED, DUPLICATED, DISTRIBUTED OR OTHERWISE USED WITHOUT THE WRITTEN CONSENT OF REGAL-BELOIT CORPORATION. -ALL RIGHTS RESERVED.

REGAL-BELOIT CORPORATION

DESCRIPTION: OUTLINE

SIZE: C DWG NO: H961

SCALE: NONE SHEET: 1

4

3

2

1

4

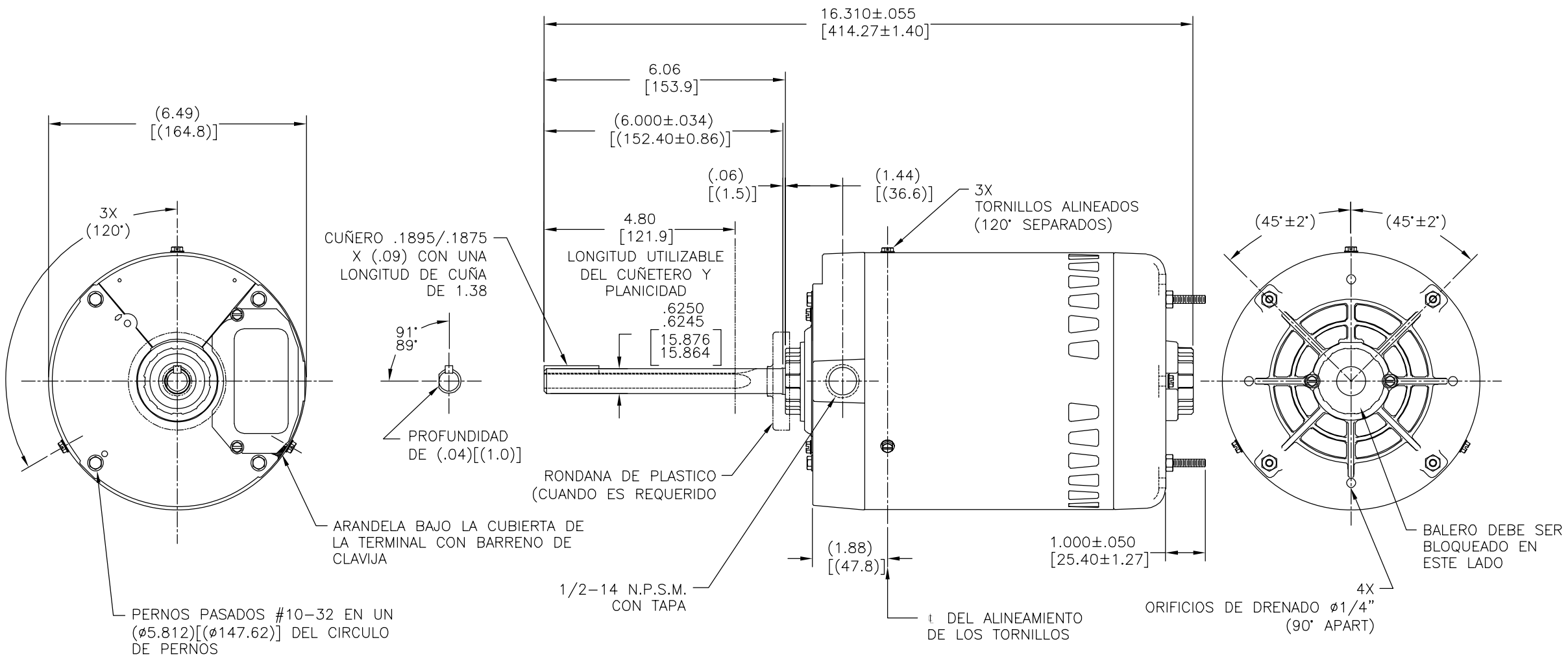
3

2

1

REVISION:	ECO	REVISADO POR:	FECHA:	APROBADO POR:	FECHA:
C	ECO-0025383	T.HUANG	04-17-2012	B.C.SHEN	04-17-2012

NOTAS:
 TODAS LAS DIMENSIONES MOSTRADAS EN PARENTESIS SON DIMENSIONES DE REFERENCIA. TODAS LAS OTRAS DIMENSIONES TIENEN TOLERANCIA SEGUN LA SIGUIENTE TABLA A MENOS QUE SE ESPECIFIQUE OTRA COSA.



CARACTERISTICAS DE GEOMETRIA Y SIMBOLOS

- ▧ PLANICIDAD
- RECTITUD
- ∠ ANGULARIDAD
- ⊥ PERPENDICULARIDAD (A ESCUADRA)
- // PARALELISMO
- REDONDEZ (CIRCULARIDAD)
- ⊘ CILINDRICIDAD
- △ PERFIL DE CUALQUIER SUPERFICIE
- ∧ PERFIL DE CUALQUIER LINEA
- ↑ VARIACION
- ⊕ POSICION REAL
- ◎ CONCENTRICIDAD
- = SIMETRIA

ASME Y14.5M 1994

A MENOS QUE SE ESPECIFIQUE DE OTRA MANERA, LAS TOLERANCIAS DE LAS DIMS; SON LAS SIGUIENTES:

	PULG	±.1	±.02	±.005	±.0005
	mm	±0.5	±0.13	±0.013	

ANG. ± 50 GRADOS
 ELIMINAR REBABAS Y ORILLAS FILOSAS DEL BORDE.
 PULG .003-.015 mm 0.1-0.4
 FILETEAR ESQUINA: PULG .020 mm 0.5
 MAQUINAR SUPERFICIAS
 PULG 125 mm .32

DIMS METRICAS MOSTRADAS [PARENTESIS]

DIBUJADO POR: Jesus M. Ramirez 02-22-2011
 APROBADO POR: Samuel Jimenez 02-22-2011
 TERCER ANGULO DE PROYECCION: FECHA EDS: 11-11-2011
 REV. FORMATO: G

CONFIDENCIAL: ESTE DIBUJO Y SU INFORMACION SON PROPIEDAD DE USO EXCLUSIVO Y CONFIDENCIAL DE REGAL-BELOIT CORPORATION. Y NO DEBERAN SER REVELADOS, DUPLICADOS, DISTRIBUIDOS O USARSE DE OTRA MANERA SIN EL CONSENTIMIENTO ESCRITO DE REGAL-BELOIT CORPORATION. -TODOS LOS DERECHOS RESERVADOS.

REGAL-BELOIT CORPORATION

DESCRIPCION: OUTLINE

TAMAÑO: C NUMERO DE DIBUJO: H961

ESCALA: NONE HOJA: 1

4

3

2

1

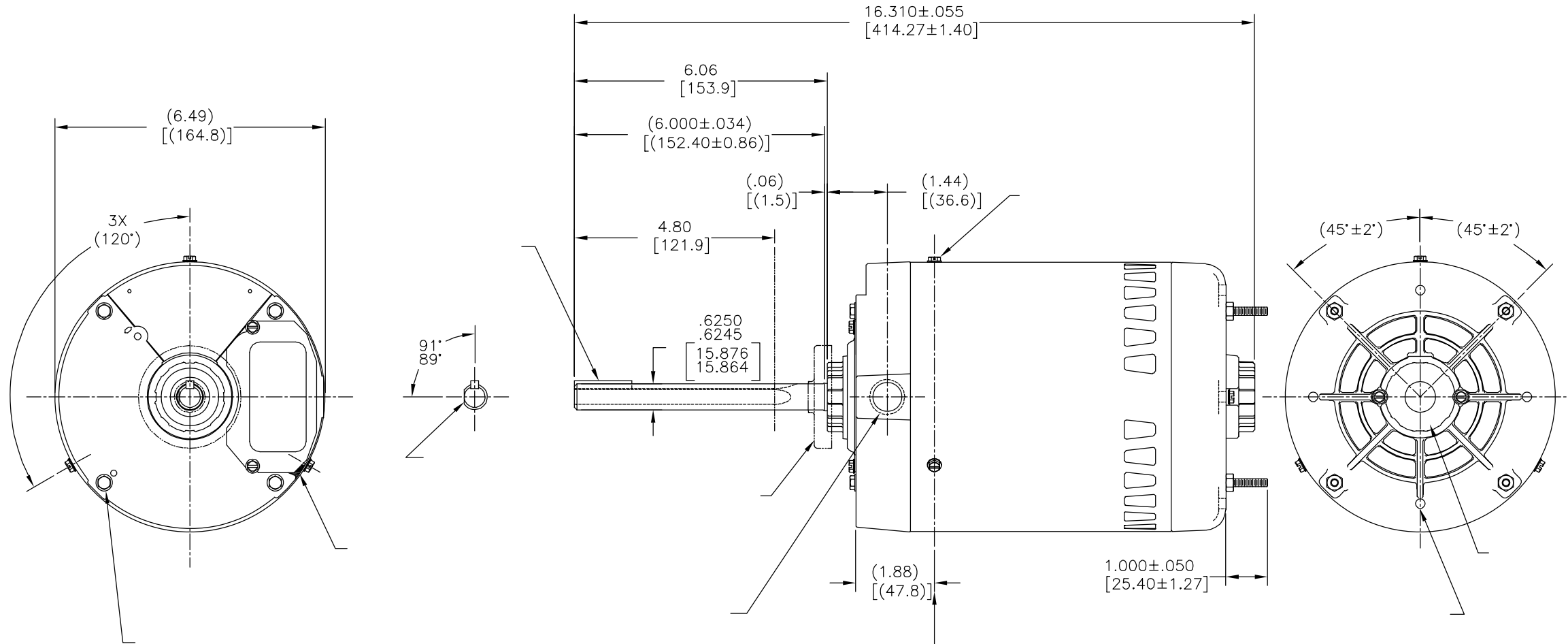
4

3

2

1

版本	ECO	编制	日期	批准	日期
C	ECO-0025383	T.HUANG	04-17-2012	B.C.SHEN	04-17-2012



形位公差	除另有注明
□ 平面度	尺寸公差如下:
— 直线度	英寸 X XX XXX XXXX
∠ 倾斜度	英寸 ±.1 ±.02 ±.005 ±.0005
⊥ 垂直度	毫米 ±0.5 ±0.13 ±0.013
// 平行度	角度 ±.50 度
○ 圆度	清理毛刺和尖棱
⊙ 圆柱度	英寸 .003-.015 毫米 0.1-0.4
△ 面轮廓度	内圆角
∩ 线轮廓度	英寸 .020 毫米 0.5
↗ 圆跳动	表面粗糙度
⊕ 位置度	英制 125 米制 3.2
⊙ 同轴度	米制尺寸显示在 []
≡ 对称度	

ASME Y14.5M 1994

除另有注明	尺寸公差如下:
英寸 X XX XXX XXXX	
英寸 ±.1 ±.02 ±.005 ±.0005	
毫米 ±0.5 ±0.13 ±0.013	
角度 ±.50 度	
清理毛刺和尖棱	
英寸 .003-.015 毫米 0.1-0.4	
内圆角	
英寸 .020 毫米 0.5	
表面粗糙度	
英制 125 米制 3.2	
米制尺寸显示在 []	

绘图:	Jesus M. Ramirez	02-22-2011
批准:	Samuel Jimenez	02-22-2011
第三角投影		图纸格式发布日期 11-11-2011 图纸格式版本 G
机密: 本图纸及相关信息所有权归REGAL-BELOIT CORPORATION 未经REGAL-BELOIT CORPORATION书面授权, 不得泄露、 复制、传播或作其他用途。—版权所有		

名称	OUTLINE
图幅	C
图号	H961
比例	NONE
页号	1

4

3

2

1