

PRODUCT INFORMATION PACKET



Model No: H982V1
Catalog No: H982V1
3/4,1725,DP,56Y,3/60/208-230/460
Circulator Pump Motors



Regal and Century are trademarks of Regal Rexnord Corporation or one of its affiliated companies.
©2021 Regal Rexnord Corporation, All Rights Reserved. MC017097E





Nameplate Specifications

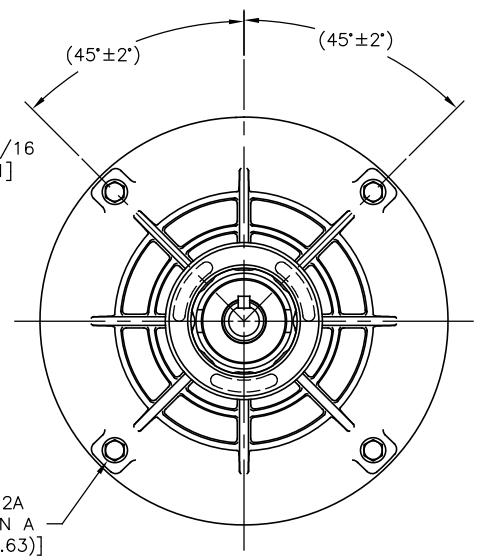
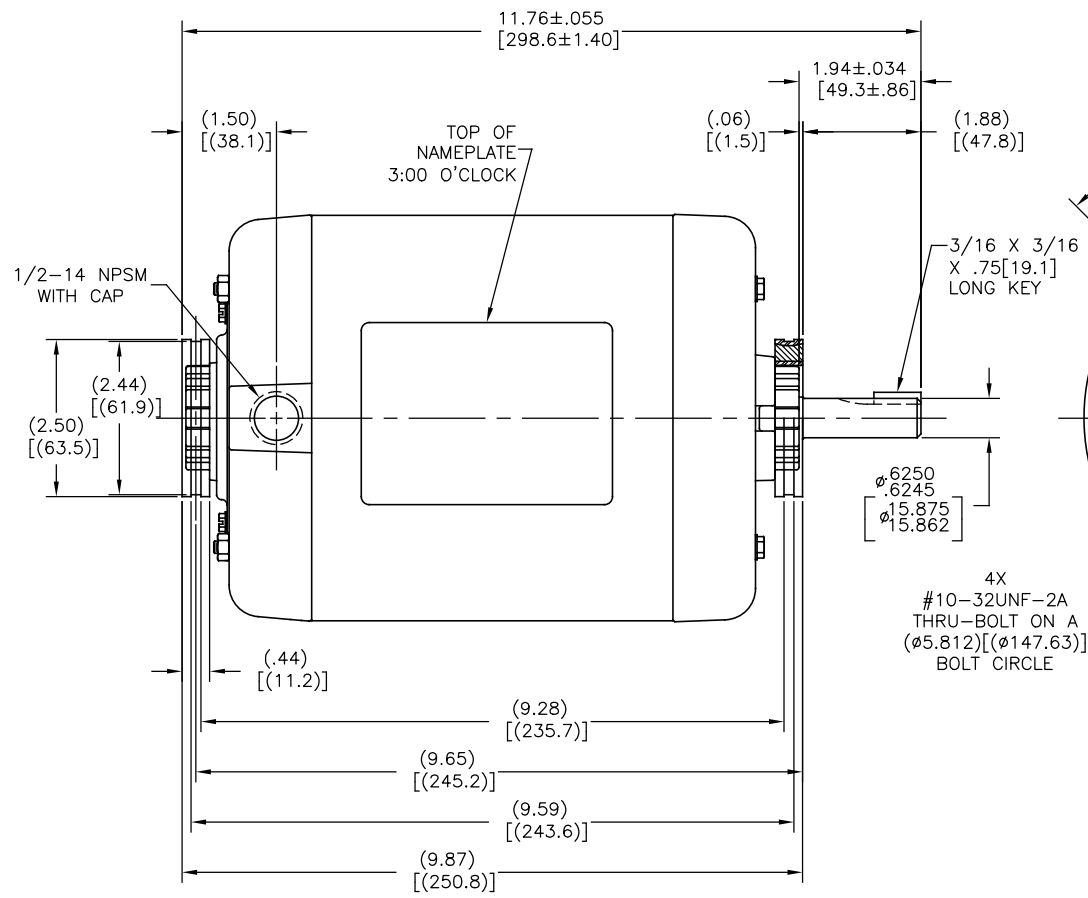
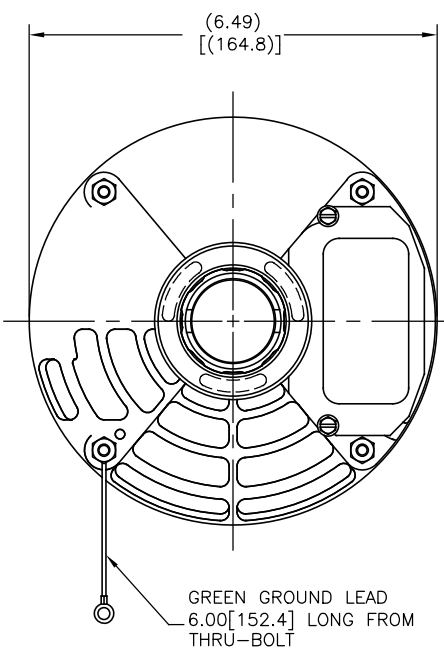
Output HP	3/4 Hp	Output KW	0.56 kW
Frequency	60 Hz	Voltage	208-230/460 V
Current	2.7-2.8/1.4 A	Speed	1725 rpm
Service Factor	1.3	Phase	3
Duty	Continuous	Insulation Class	B
Frame	F56Y	Enclosure	Drip Proof
Thermal Protection	None	Ambient Temperature	40 °C
UL	Recognized	CSA	Y
CE	N	Number of Speeds	1

Technical Specifications

Electrical Type	Polyphase, Induction Type, Single Or Dual Voltage	Starting Method	Across The Line
Poles	4	Rotation	Reversible Counterclockwise
Mounting	Cushion Ring	Drive End Bearing	Sleeve
Opp Drive End Bearing	Sleeve	Frame Material	Rolled Steel
Shaft Type	Keyed	Overall Length	11.76 in
Frame Length	5.75 in	Shaft Diameter	0.625 in
Shaft Extension	1.94 in		
Connection Drawing	17050706.PCX	Outline Drawing	H982V1-S01

This is an uncontrolled document once printed or downloaded and is subject to change without notice. Date Created:10/11/2021

ALL DIMENSIONS SHOWN IN PARENTHESIS ARE REFERENCE DIMENSIONS.



DRAWING REVISION F	REVISION BY F.NAVARRO	DATE 08-30-2016	TOLERANCES UNLESS OTHERWISE SPECIFIED	DRAWN BY: DHOLT	Regal Beloit America, Inc.	
ECO 0092984	APPROVED BY	DATE	DEC. INCH mm ANGLE .X ±0.1 [±2.5] ±0.5° .XX ±0.02 [±0.51] .XXX ±0.005 [±0.127] XXXX ±0.0005 [±0.0127]	DATE: 04-15-2009		
ECO DESCRIPTION SEE ECO			REMOVE BURRS & BREAK SHARP EDGES .003/.015 [0.076/.381] CORNER FILLETS .02 [51] MACHINED SURFACES	APPROVED BY: SWALLACE	DESCRIPTION MODEL-CFHP-56FR OUTLINE	
<small> COPYRIGHT REGAL BELOIT AMERICA, INC. ALL RIGHTS RESERVED. PROPRIETARY AND CONFIDENTIAL INFORMATION - THIS DOCUMENT IS THE PROPERTY OF REGAL BELOIT AMERICA, INC. (OWNER) AND CONTAINS OWNER'S PROPRIETARY INFORMATION. ANY REPRODUCTION, COPIATION OR OTHER FIRM RECEIVING IT IS DENIED. BY RECEIVING IT, TO AGREE THAT IT, AND/OR ANY PART OF IT, SHALL NOT BE DISCLOSED TO ANY PERSON, CORPORATION OR OTHER ENTITY, DUPLICATED, AND/OR USED, EXCEPT AS EXPRESSLY APPROVED IN WRITING IN ADVANCE BY OWNER. THIS DOCUMENT SHALL BE RETURNED TO OWNER UPON REQUEST. IT MAY BE SUBJECT TO CERTAIN RESTRICTIONS UNDER APPLICABLE EXPORT CONTROL LAWS AND REGULATIONS. </small>			<small> INCH mm mm SHOWN IN [BRACKETS] </small>	DATE: 04-15-2009	MATERIAL	PROCESS/FINISH
			THIRD ANGLE PROJECTION	SIZE DWG NO C H982V1	SHEET 1	