

# PRODUCT INFORMATION PACKET



Model No: H988L

Catalog No: H988L

Circulator Pump Motor, 3.0 HP, 3 Ph, 60 Hz, 460/208-230 V, 1800 RPM, R56Y Frame, DP



Regal and Century are trademarks of Regal Rexnord Corporation or one of its affiliated companies.

©2023 Regal Rexnord Corporation, All Rights Reserved. MC017097E





### Nameplate Specifications

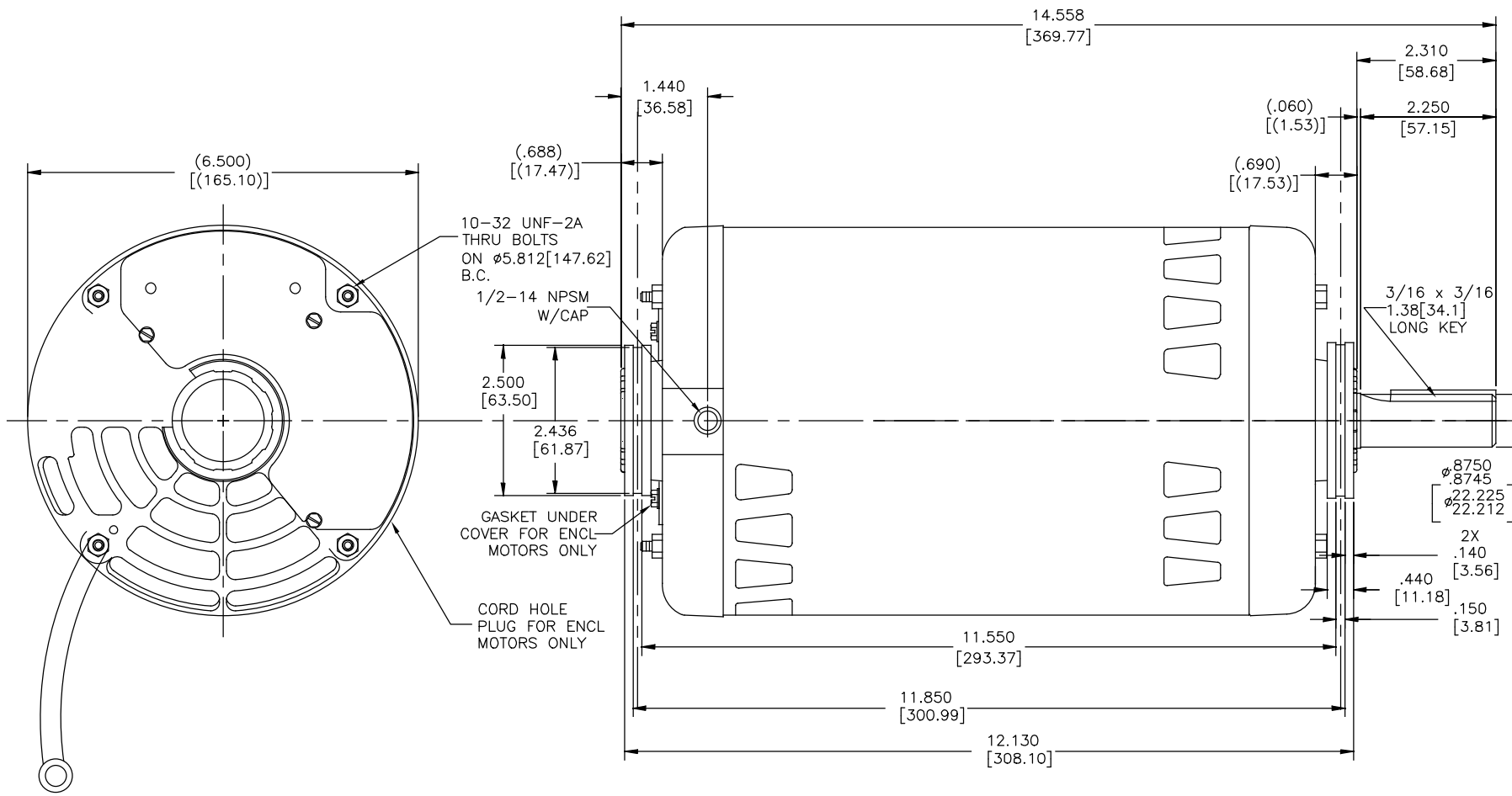
|                    |               |                     |               |
|--------------------|---------------|---------------------|---------------|
| Output HP          | 3.0 Hp        | Output KW           | 2.2 kW        |
| Frequency          | 60 Hz         | Voltage             | 460/208-230 V |
| Current            | 4.4/9.0-8.8 A | Speed               | 1725 rpm      |
| Service Factor     | 1.15          | Phase               | 3             |
| Duty               | Continuous    | Insulation Class    | F             |
| Frame              | R56Y          | Enclosure           | Drip Proof    |
| Thermal Protection | No Protection | Ambient Temperature | 40 °C         |
| UL                 | Recognized    | CSA                 | Y             |
| CE                 | N             | Number of Speeds    | 1             |

### Technical Specifications

|                       |   |                   |                             |
|-----------------------|---|-------------------|-----------------------------|
| Electrical Type       | Polyphase, Induction Type, Single Or Dual Voltage | Starting Method   | Across The Line             |
| Poles                 | 4   | Rotation          | Reversible Counterclockwise |
| Mounting              | Cushion Ring                                      | Drive End Bearing | Ball                        |
| Opp Drive End Bearing | Ball  | Frame Material    | Rolled Steel                |
| Shaft Type            | Keyed   | Overall Length    | 14.56 in                    |
| Frame Length          | 8.75 in   | Shaft Diameter    | 0.875 in                    |
| Shaft Extension       | 2.31 in   |                   |                             |
| Connection Drawing    | 17564815.PCX                                      | Outline Drawing   | H988L-S01                   |

This is an uncontrolled document once printed or downloaded and is subject to change without notice. Date Created:03/15/2023

| REV | ECO     | REV BY      | DATE       | APPD     | DATE       |
|-----|---------|-------------|------------|----------|------------|
| B   | 0026461 | A. EWSCOBAR | 05-29-2012 | M. AVILA | 05-29-2012 |



**GEOMETRIC CHARACTERISTICS & SYMBOLS**

- $\square$  FLATNESS
- $\text{—}$  STRAIGHTNESS
- $\sphericalangle$  ANGULARITY
- $\perp$  PERPENDICULARITY (SQUARENESS)
- $\parallel$  PARALLELISM
- $\bigcirc$  ROUNDNESS (CIRCULARITY)
- $\text{—}$  CYLINDRICITY
- $\text{—}$  PROFILE OF ANY SURFACE
- $\text{—}$  PROFILE OF ANY LINE
- $\text{—}$  RUNOUT
- $\oplus$  TRUE POSITION
- $\text{—}$  CONCENTRICITY
- $\text{—}$  SYMMETRY

ASME Y14.5M 1994

**UNLESS OTHERWISE SPECIFIED DIM. TOLERANCES ARE AS FOLLOWS:**

|      |           |            |             |             |
|------|-----------|------------|-------------|-------------|
| INCH | $\pm .1$  | $\pm .02$  | $\pm .005$  | $\pm .0005$ |
| mm   | $\pm 0.5$ | $\pm 0.13$ | $\pm 0.013$ |             |

ANG.  $\pm .50$  DEG  
 REMOVE BURRS & BREAK SHARP EDGES:  
 INCH .003-.015 mm 0.1-0.4  
 CORNER FILLETS TO:  
 INCH .020 mm 0.5  
 MACHINE SURFACES:  
 INCH 1/25 mm 3.2

METRIC DIMS. SHOWN IN [BRACKETS]

|  |    |                                     |
|--|----|-------------------------------------|
| DR BY:   | TZ | 09-07-2009                          |
| APPD:  | KG | 09-07-2009                          |
| THIRD ANGLE PROJECTION   |    | EDS DATE 11-11-2011<br>FORMAT REV H |
| CONFIDENTIAL: THIS DRAWING AND ITS INFORMATION ARE THE EXCLUSIVE AND CONFIDENTIAL PROPERTY OF REGAL-BELOIT CORPORATION AND ARE NOT TO BE DISCLOSED, DUPLICATED, DISTRIBUTED OR OTHERWISE USED WITHOUT THE WRITTEN CONSENT OF REGAL-BELOIT CORPORATION. -ALL RIGHTS RESERVED. |    |                                     |

|   |      |                                 |         |
|---|------|---------------------------------|---------|
|   |      | <b>REGAL-BELOIT CORPORATION</b> |         |
| DESCRIPTION<br>MODEL-CFHP-56FR<br>OUTLINE |      |                                 |         |
| SIZE                                      | C    | DWG NO                          | H988L   |
| SCALE                                     | NONE |                                 | SHEET 1 |