



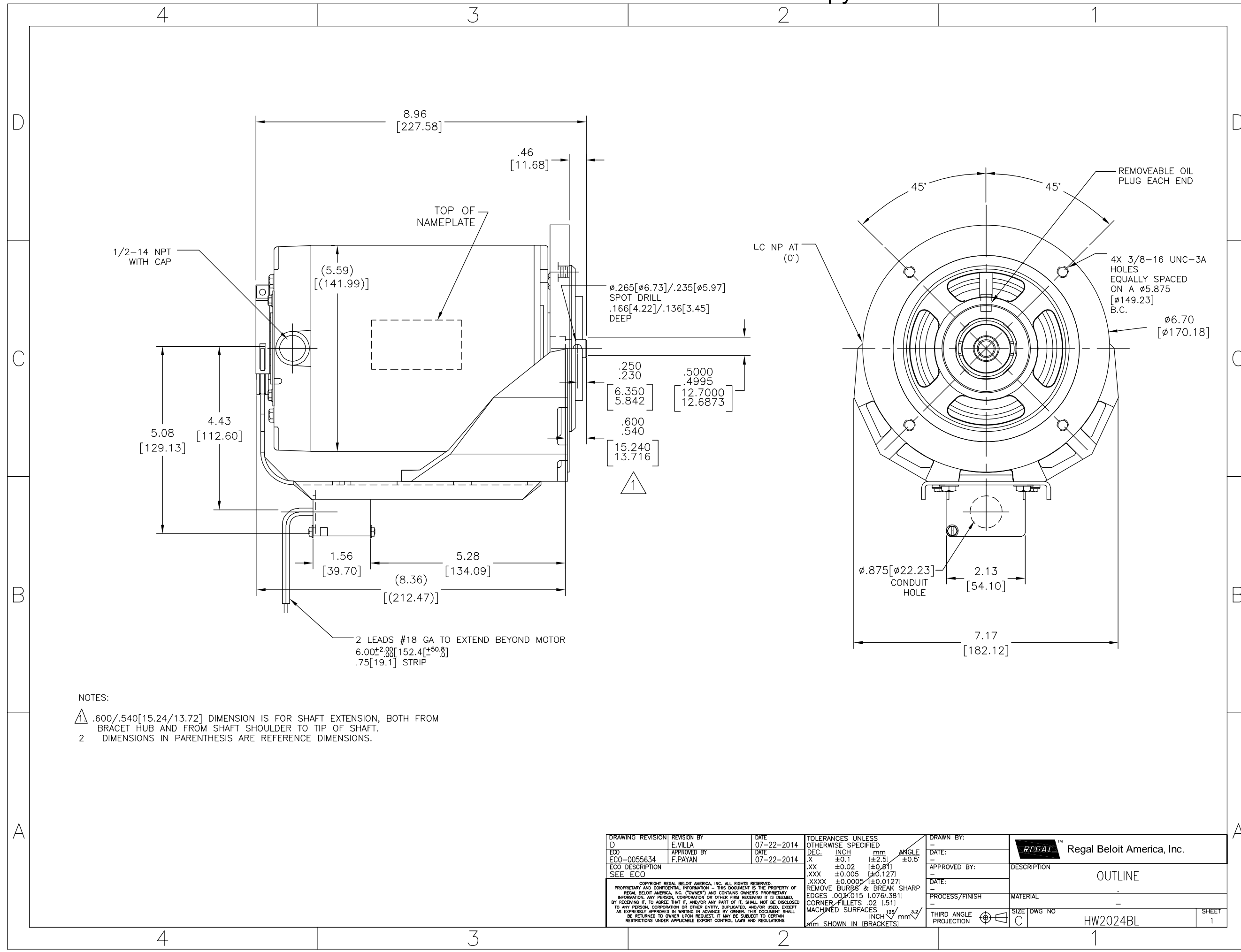
Nameplate Specifications

Phase	1	Output HP	1/4 Hp
Output KW	0.19 kW	Voltage	115 V
Speed	1725 rpm	Service Factor	1.25
Frame	48	Enclosure	Open Drip Proof
Thermal Protection	Automatic	Ambient Temperature	40 °C
Frequency	60 Hz	Current	4.6 A
Duty	Continuous	Insulation Class	B
UL	Recognized	CSA	Y
CE	N	Number of Speeds	1

Technical Specifications

Electrical Type	Split Phase, Induction Run, Single Or Dual Voltage	Starting Method	Across The Line
Poles	4	Rotation	Reversible
Mounting	Resilient Base	Drive End Bearing	Ball
Opp Drive End Bearing	Ball	Frame Material	Rolled Steel
Shaft Type	Spot Drill	Overall Length	8.96 in
Frame Length	5.59 in	Shaft Diameter	0.500 in
Shaft Extension	0.6 in		
Connection Drawing	D0000005-001B	Outline Drawing	HW2024BL

This is an uncontrolled document once printed or downloaded and is subject to change without notice. Date Created:09/27/2023



NOTES:
 1 .600/.540 [15.24/13.72] DIMENSION IS FOR SHAFT EXTENSION, BOTH FROM BRACET HUB AND FROM SHAFT SHOULDER TO TIP OF SHAFT.
 2 DIMENSIONS IN PARENTHESIS ARE REFERENCE DIMENSIONS.

DRAWING REVISION D	REVISION BY E.VILLA	DATE 07-22-2014	TOLERANCES UNLESS OTHERWISE SPECIFIED DEC. INCH mm ANGLE .X ±0.1 [±2.5] ±0.5° .XX ±0.02 [±0.51] .XXX ±0.005 [±0.127] .XXXX ±0.0005 [±0.0127]	DRAWN BY: -	Regal Beloit America, Inc. DESCRIPTION OUTLINE
ECO ECO-0055634	APPROVED BY F.PAYAN	DATE 07-22-2014	REMOVE BURRS & BREAK SHARP EDGES .003/.015 [0.076/.381] CORNER/FILLETS .02 [1.51] MACHINED SURFACES 1/32 INCH 3.2 mm SHOWN IN [BRACKETS]	DATE: -	
ECO DESCRIPTION SEE ECO	COPYRIGHT REGAL BELOIT AMERICA, INC. ALL RIGHTS RESERVED. PROPRIETARY AND CONFIDENTIAL INFORMATION - THIS DOCUMENT IS THE PROPERTY OF REGAL BELOIT AMERICA, INC. (OWNER) AND CONTAINS OWNER'S PROPRIETARY INFORMATION. ANY PERSON, CORPORATION OR OTHER FIRM RECEIVING IT IS DEEMED, BY RECEIVING IT, TO AGREE THAT IT, AND/OR ANY PART OF IT, SHALL NOT BE DISCLOSED TO ANY PERSON, CORPORATION OR OTHER ENTITY, DUPLICATED, AND/OR USED, EXCEPT AS EXPRESSLY APPROVED IN WRITING IN ADVANCE BY OWNER. THIS DOCUMENT SHALL BE RETURNED TO OWNER UPON REQUEST. IT MAY BE SUBJECT TO CERTAIN RESTRICTIONS UNDER APPLICABLE EXPORT CONTROL LAWS AND REGULATIONS.		APPROVED BY: - DATE: - PROCESS/FINISH - THIRD ANGLE PROJECTION	SIZE DWG NO C HW2024BL	SHEET 1