

# PRODUCT INFORMATION PACKET



Model No: K115V1  
Catalog No: K115V1

General Purpose Motor, 1.5 HP, 1 Ph, 60 Hz, 208-230/115 V, 1800 RPM, N145TC Frame, TEFC



Regal and Century are trademarks of Regal Rexnord Corporation or one of its affiliated companies.  
©2025 Regal Rexnord Corporation, All Rights Reserved. MC017097E





**Nameplate Specifications**

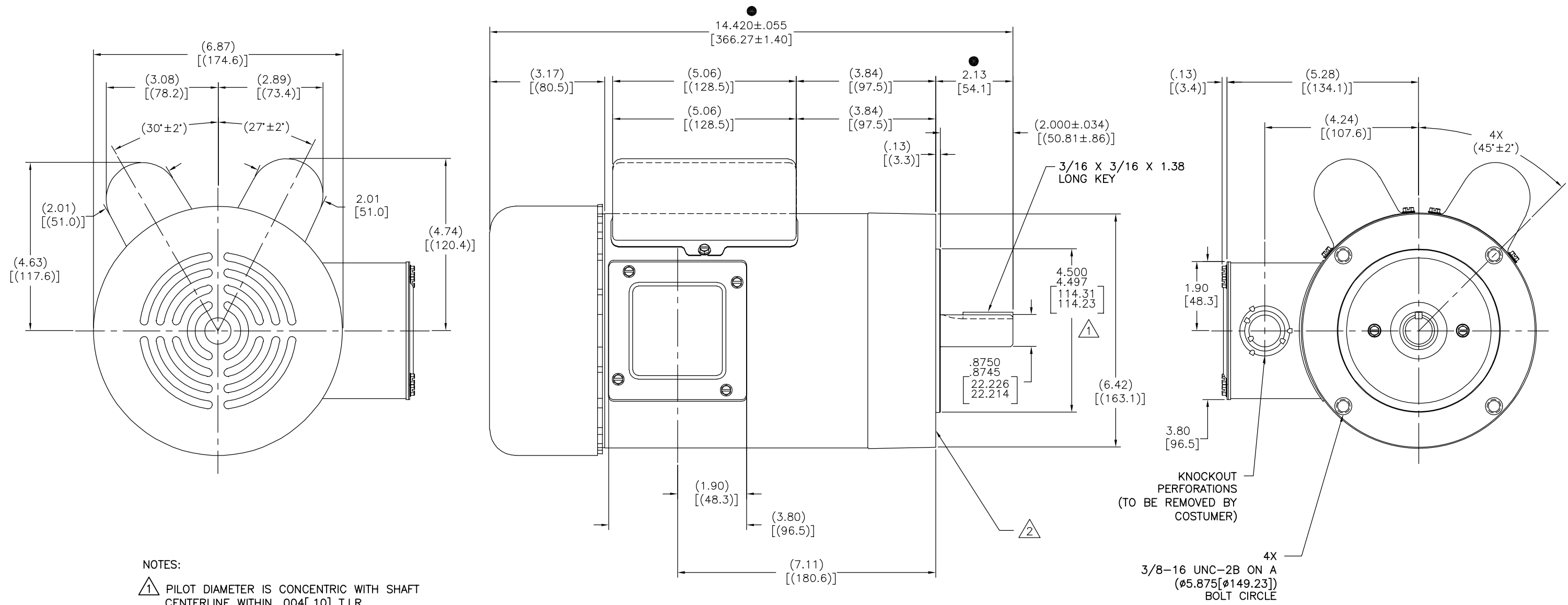
Phase	1	Output HP	1.5 Hp
Output KW	1.1 kW	Voltage	208-230/115 V
Speed	1725 rpm	Service Factor	1.15
Frame	N145TC	Enclosure	Totally Enclosed Fan Cooled
Thermal Protection	No Protection	Ambient Temperature	40 °C
Frequency	60 Hz	Current	7.7-7.5/15.0 A
Duty	Continuous	Insulation Class	B
UL	Recognized	CSA	Y
CE	N	Number of Speeds	1

**Technical Specifications**

Electrical Type	Capacitor Start, Capacitor Run, Single Or Dual Voltage	Starting Method	Across The Line
Poles	4	Rotation	Reversible Counterclockwise
Mounting	Round	Drive End Bearing	Ball
Opp Drive End Bearing	Ball	Frame Material	Rolled Steel
Shaft Type	Keyed	Overall Length	14.42 in
Frame Length	7.25 in	Shaft Diameter	0.875 in
Shaft Extension	2.13 in		
Outline Drawing	K115V1-S01	Connection Drawing	17050302.PCX

This is an uncontrolled document once printed or downloaded and is subject to change without notice. Date Created:08/21/2025

ALL DIMENSIONS SHOWN IN PARENTHESIS ARE REFERENCE DIMENSIONS.



NOTES:

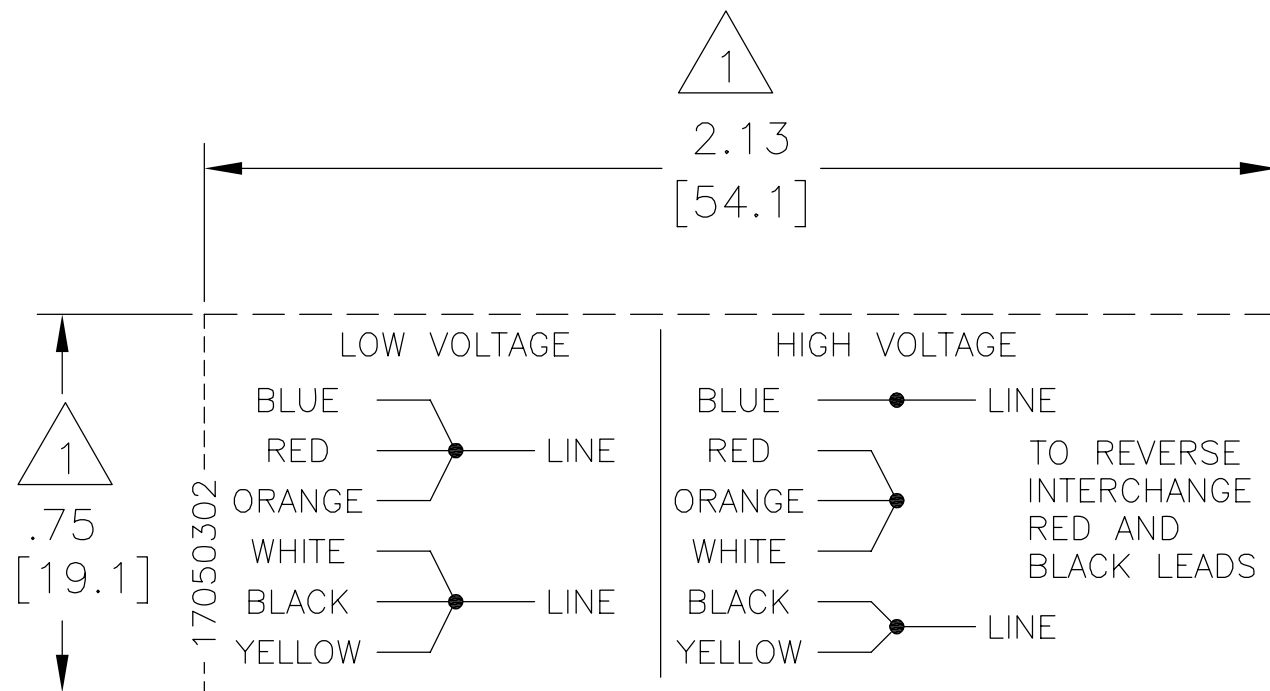
- 1 PILOT DIAMETER IS CONCENTRIC WITH SHAFT CENTERLINE WITHIN .004[.10] T.I.R.
- 2 FACE OF MOUNTING FLANGE IS PERPENDICULAR TO SHAFT CENTERLINE WITHIN .004[.10] T.I.R.
- 3. SHAFT RUNOUT NOT TO EXCEED .002[.05] T.I.R.
- 4. END PLAY NOT TO EXCEED .010[.25] MEASURED WITH NO THRUST

TYPE	FRAME
CP	N145TC

● = CRITICAL DIMENSION

DRAWING REVISION		REVISION BY	DATE	TOLERANCES UNLESS OTHERWISE SPECIFIED		DRAWN BY:		Regal Beloit America, Inc.	
A		A. BAUGHMAN	02-11-2015	DEC.	INCH	FRACTION	ANGLE	Regal Beloit America, Inc.	
ECO-0071439		A. BAUGHMAN	02-11-2015	.X	±0.1	(±2.5)	±0.5°	MODEL-IHP	
NEW				.XX	±0.02	(±0.51)		OUTLINE	
				.XXX	±0.005	(±0.127)		MATERIAL	
				.XXXX	±0.0005	(±0.0127)		PROCESS/FINISH	
				REMOVE BURRS & BREAK SHARP EDGES .003-.015 (.076-.381)		CORNER FILLETS .02 (.51)		K115V1	
				MACHINED SURFACES .25 (.63)		THIRD ANGLE PROJECTION		SHEET 1	

REV	ECO	REV BY	DATE	APPD	DATE
Y	ECO-0022098	J. COX	04-24-2012	C. McREYNOLDS	04-24-2012



NOTES:

1. DOTTED BOX REPRESENTS TOTAL PRINTED AREA ALLOWED FOR CONNECTION DIAGRAM TO FIT IN. THIS AREA DOES NOT INCLUDE THE BORDER AROUND THE CONNECTION DIAGRAM. SEE NAMEPLATE DRAWING 170500 OR 170501 FOR LOCATION.
2. DETAILS ARE NOT TO BE COPIED FROM DRAWING, BUT ARE TO BE REPRODUCED FROM ORIGINAL ARTWORK FURNISHED.
3. CHARACTERS ARE TO BE A MINIMUM OF .03[.8] TO .06[1.5] MAXIMUM IN HEIGHT.

GEOMETRIC CHARACTERISTICS & SYMBOLS  
 ▭ FLATNESS  
 — STRAIGHTNESS  
 ∠ ANGULARITY  
 ⊥ PERPENDICULARITY (SQUARENESS)  
 // PARALLELISM  
 ○ ROUNDNESS (CIRCULARITY)  
 ∅ CYLINDRICITY  
 △ PROFILE OF ANY SURFACE  
 ∩ PROFILE OF ANY LINE  
 ↑ RUNOUT  
 ⊕ TRUE POSITION  
 ⊙ CONCENTRICITY  
 = SYMMETRY

UNLESS OTHERWISE SPECIFIED  
 DIM. TOLERANCES ARE AS FOLLOWS:  
 INCH X XX XXX XXXX  
 mm ±0.5 ±0.13 ±0.013  
 ANG. ±.50 DEG  
 REMOVE BURRS & BREAK SHARP EDGES:  
 INCH .003-.015 mm 0.1-0.4  
 CORNER FILLETS TO:  
 INCH .020 mm 0.5  
 MACHINE SURFACES:  
 INCH 125 mm 3.2  
 METRIC DIMS. SHOWN IN [BRACKETS]

DR BY: MLC 03-04-1985  
 APPD: MLC 03-13-1985  
 THIRD ANGLE PROJECTION  
 EDS DATE 11-11-2011  
 FORMAT REV G  
 CONFIDENTIAL: THIS DRAWING AND ITS INFORMATION ARE THE EXCLUSIVE AND CONFIDENTIAL PROPERTY OF REGAL-BELOIT CORPORATION AND ARE NOT TO BE DISCLOSED, DUPLICATED, DISTRIBUTED OR OTHERWISE USED WITHOUT THE WRITTEN CONSENT OF REGAL-BELOIT CORPORATION. -ALL RIGHTS RESERVED.

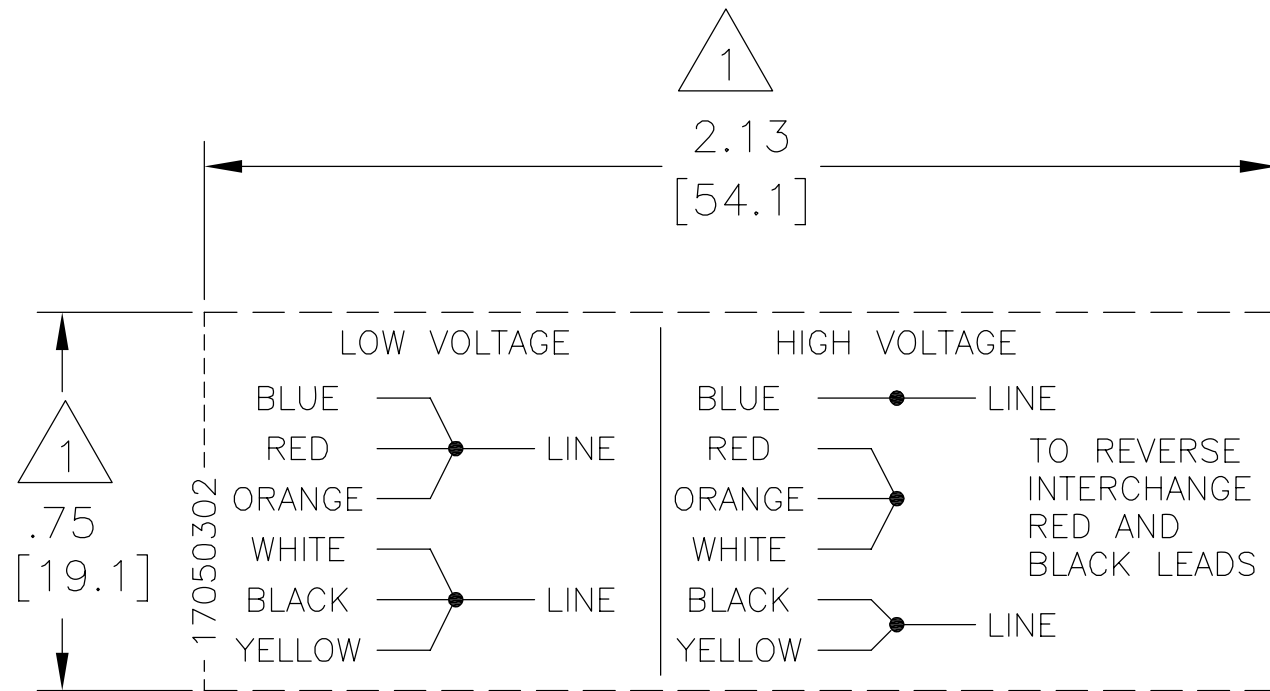
**REGAL BELLOIT** REGAL-BELOIT CORPORATION

DESCRIPTION: **CONN DIAGRAM-NAMEPLATE**

SIZE: A DWG NO: 17050302

SCALE: NONE SHEET: 1

REVISION:	ECO	REVISADO POR:	FECHA:	APROBADO POR:	FECHA:
Y	ECO-0022098	J. COX	04-24-2012	C. McREYNOLDS	04-24-2012



NOTAS:

- LA CAJA PUNTEADA REPRESENTA EL AREA TOTAL IMPRESA PERMITIDA PARA EL DIAGRAMA DE CONEXION PARA QUE ENCAJE EN ESTA AREA NO INCLUYE EL BORDE AL REDEDOR DEL DIAGRAMA DE CONEXION. VER DIBUJO DE PLACA DE DATOS 170500 O 170501 PARA UBICACION.
- LOS DETALLES NO DEBEN SER COPIADOS DEL DIBUJO, PERO VA A SER REPRODUCIDA DEL TRABAJO ORIGINAL SUMINISTRADO.
- LOS CARACTERES SON DE UN MINIMO DE .03[.8] A .06[1.5] EN ALTURA MAXIMA.

CARACTERISTICAS DE GEOMETRIA Y SIMBOLOS  
 ▭ PLANICIDAD  
 — RECTITUD  
 < ANGULARIDAD  
 ⊥ PERPENDICULARIDAD (A ESCUADRA)  
 // PARALELISMO  
 ○ REDONDEZ (CIRCULARIDAD)  
 ∅ CILINDRICIDAD  
 ⊖ PERFIL DE CUALQUIER SUPERFICIE  
 ∩ PERFIL DE CUALQUIER LINEA  
 ↑ VARIACION  
 ⊕ POSICION REAL  
 ⊙ CONCENTRICIDAD  
 ≡ SIMETRIA

A MENOS QUE SE ESPECIFIQUE DE OTRA MANERA, LAS TOLERANCIAS DE LAS DIMS; SON LAS SIGUIENTES:  
 X XX XXX XXXX  
 PULG ±.1 ±.02 ±.005 ±.0005  
 mm ±0.5 ±0.13 ±0.013  
 ANG. ±.50 GRADOS  
 ELIMINAR REBABAS Y ORILLAS FILOSAS DEL BORDE.  
 PULG .003-.015 mm 0.1-0.4  
 FILETEAR ESQUINA: PULG .020 mm 0.5  
 MAQUINAR SUPERFICIES  
 PULG 125 mm 3.2  
 DIMS METRICAS MOSTRADAS [PARENTESIS]

DIBUJADO POR: MLC 03-04-1985  
 APROBADO POR: MLC 03-13-1985  
 TERCER ANGULO DE PROYECCION FECHA EDS: 11-11-2011  
 REV. FORMATO: G  
 CONFIDENCIAL: ESTE DIBUJO Y SU INFORMACION SON PROPIEDAD DE USO EXCLUSIVO Y CONFIDENCIAL DE REGAL-BELOIT CORPORATION Y NO DEBERAN SER REVELADOS, DUPLICADOS, DISTRIBUIDOS O USARSE DE OTRA MANERA SIN EL CONSENTIMIENTO ESCRITO DE REGAL-BELOIT CORPORATION.-TODOS LOS DERECHOS RESERVADOS.

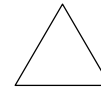
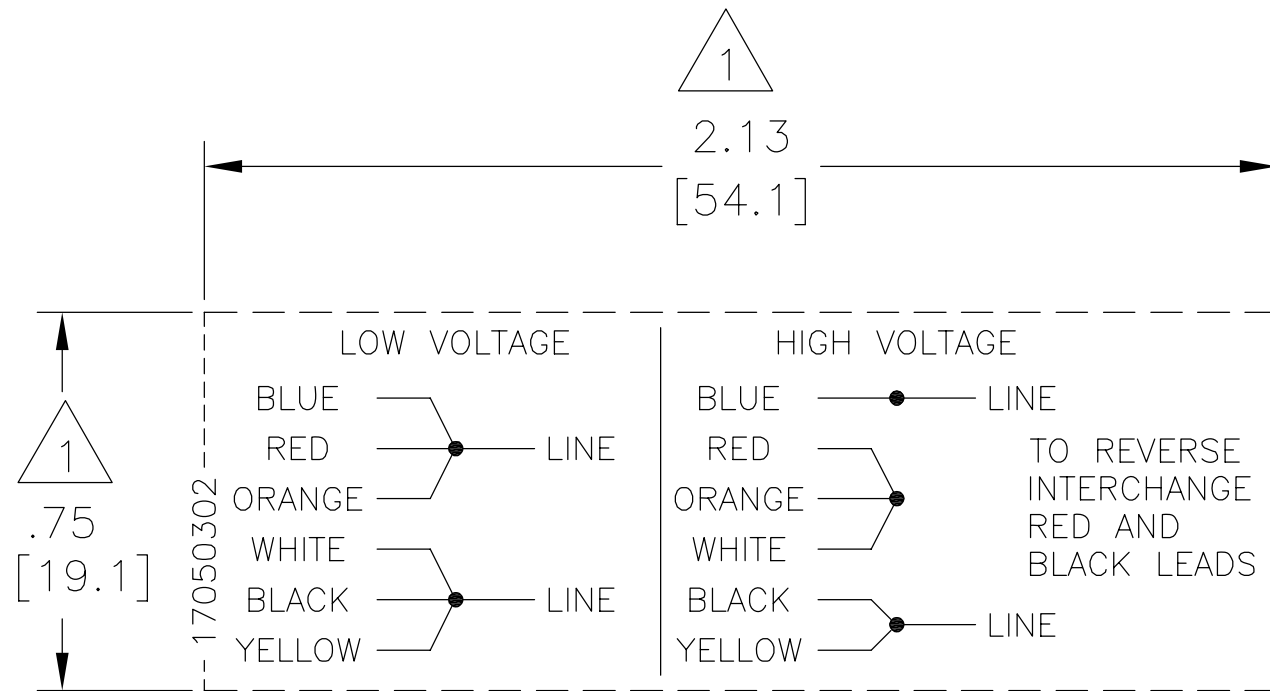
REGAL-BELOIT CORPORATION

DESCRIPCION: CONN DIAGRAM-NAMEPLATE

TAMAÑO: A NUMERO DE DIBUJO: 17050302

ESCALA: NONE HOJA: 1

版本	ECO	编制	日期	批准	日期
Y	ECO-0022098	J. COX	04-24-2012	C. McREYNOLDS	04-24-2012



- 形位公差
- 平面度
- 直线度
- ∠ 倾斜度
- ⊥ 垂直度
- // 平行度
- 圆度
- ⊘ 圆柱度
- △ 面轮廓度
- ⌒ 线轮廓度
- ↗ 圆跳动
- ⊕ 位置度
- ◎ 同轴度
- ≡ 对称度

除另有注明  
尺寸公差如下:

	X	XX	XXX	XXXX
英寸	±.1	±.02	±.005	±.0005
毫米	±0.5	±0.13	±0.013	

角度 ±.50 度  
清理毛刺和尖棱  
英寸 .003-.015 毫米 0.1-0.4  
内圆角  
英寸 .020 毫米 0.5  
表面粗糙度  
英制 125 米制 3.2

米制尺寸显示在 [ ]

绘图: MLC 03-04-1985  
批准: MLC 03-13-1985  
第三角投影 图纸格式发布日期 11-11-2011  
图纸格式版本 G  
机密:本图纸及相关信息所有权归REGAL-BELOIT CORPORATION。  
未经REGAL-BELOIT CORPORATION书面授权, 不得泄露、  
复制、传播或作其他用途。--版权所有



名称  
CONN DIAGRAM-NAMEPLATE

图幅 A 图号 17050302

比例 NONE 页号 1