

# PRODUCT INFORMATION PACKET

FASCO®

Model No: K141  
Catalog No: K141  
1/70 HP C-Frame / Skeleton Motor, 3000 RPM, 120 Volts, , OAO  
C-Frame / Skeleton Motors



Regal and Fasco are trademarks of Regal Rexnord Corporation or one of its affiliated companies.  
©2021 Regal Rexnord Corporation, All Rights Reserved. MC017097E

RegalRexnord



**Nameplate Specifications**

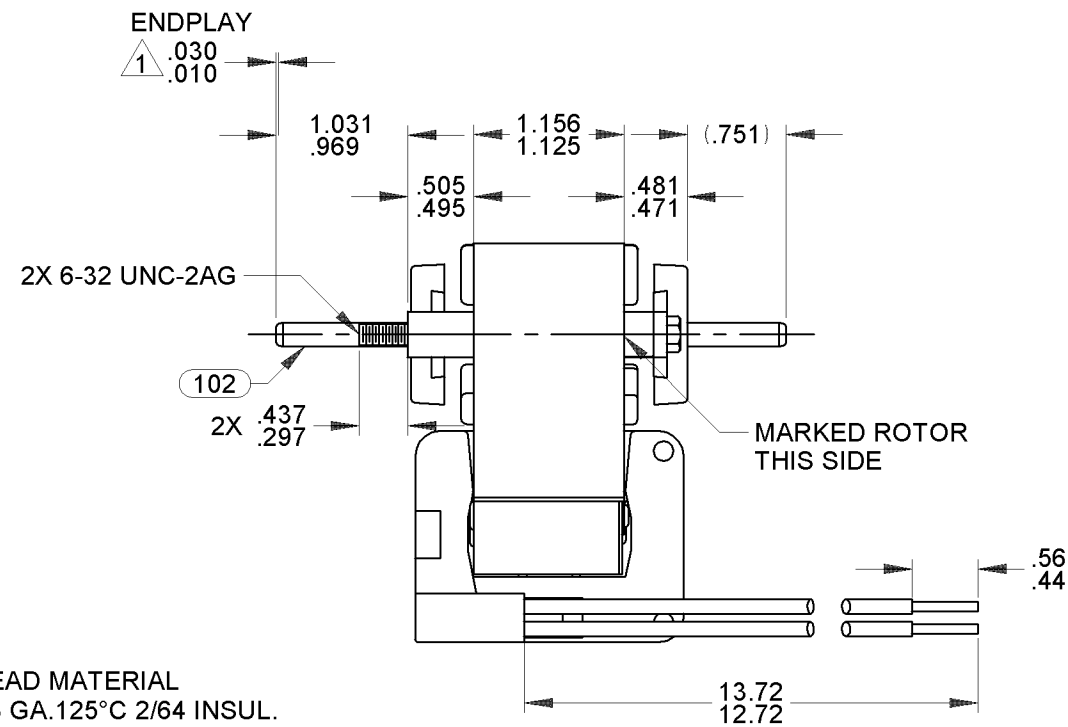
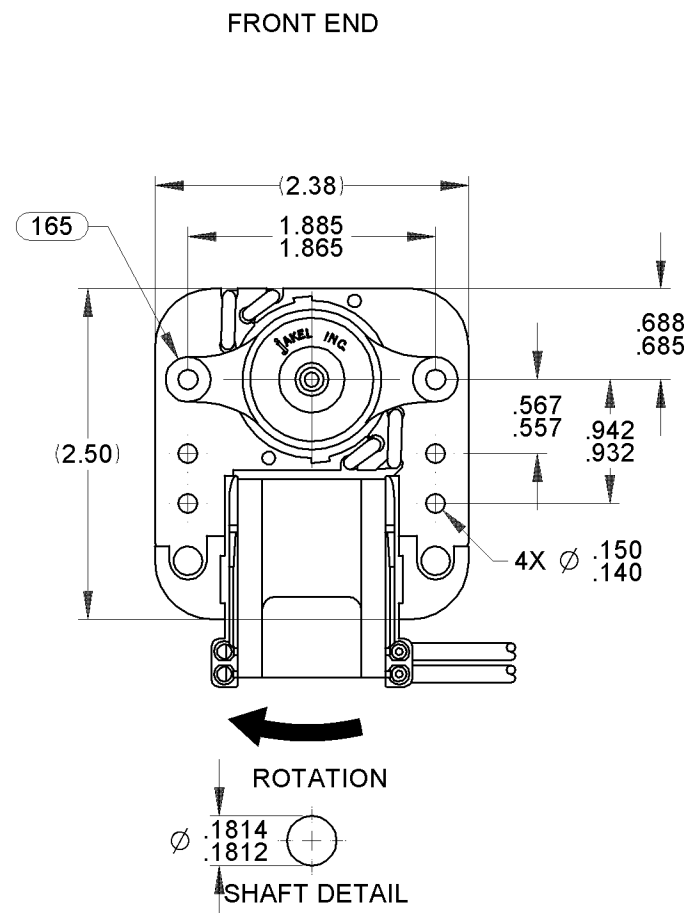
Output HP	1/70 Hp	Output KW	0.01 kW
Frequency	60 Hz	Voltage	120 V
Current	.65 A	Speed	3000 rpm
Service Factor	1	Phase	1
Duty	Air Over	Insulation Class	B
Frame	C-FRAME	Enclosure	Open
Thermal Protection	Thermally Protected	Ambient Temperature	40 °C
UL	Recognized	CSA	N
CE	N	Number of Speeds	1

**Technical Specifications**

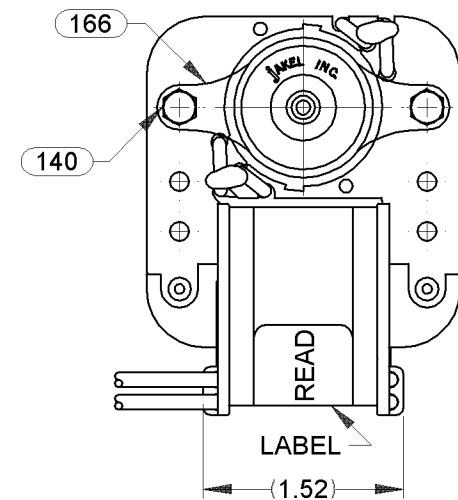
Electrical Type	Shaded Pole	Starting Method	Across The Line
Poles	2	Rotation	Clockwise
Mounting	Extended Studs	Drive End Bearing	Sleeve
Opp Drive End Bearing	Sleeve	Frame Material	Na
Shaft Type	Round	Overall Length	3.95 in
Shaft Diameter	0.181 in	Shaft Extension	1.00 in
Connection Drawing	NA	Outline Drawing	7158109007_S001

This is an uncontrolled document once printed or downloaded and is subject to change without notice. Date Created:10/12/2021

05	CHANGE 72" AND 73" PRINTS TO STANDARD.	SDM 10/21/08	06	REVISED PACKING AND ADDED CARTON LABEL NOTES	4004920 MLM 03/13/12	07	UPDATED ROTOR AND SHAFT PRINT.	4012632 MLS 6/10/2014	STANDARD TOLERANCES: ANGULAR +/- 1 DEGREE 2 PLACE DECIMAL +/- .01 3 PLACE DECIMAL +/- .005		
----	--	--------------	----	--	-------------------------	----	--------------------------------	--------------------------	---	--	--



LEAD MATERIAL  
18 GA. 125°C 2/64 INSUL.  
X-LINKED POLY, TINNED  
(2) BLK



NOTES:

- SHAFT EXTENSION TO BE MEASURED WITH ENDPLAY PULLED OUT.
- MOTOR HAS 130° ONE SHOT FUSE.
- SHIM FRONT END (1) PC 245 SPACER, (1) PC 246 CORK WASHER, AND (1) PC 247 STEEL WASHER. SHIM BACK END (1) PC 245 SPACER, (1) PC 246 CORK WASHER, AND (1) TO (4) PC 247 STEEL WASHER TO MAINTAIN SPECIFIED ENDPLAY.
- MOTOR MUST START AT 70 VOLTS.
- HI POT PER P.S. 88834420.
- PACK 6 MOTORS PER CONTAINER, 576 MAX. PER PALLET, 12 CONTAINERS PER LAYER, 8 LAYERS PER PALLET, PACKING ASSY. 87854178.
- CARTON LABELS MUST ALL FACE ONE DIRECTION TOWARD THE OPEN END OF THE PALLET. SEE P.S. 88834408.
- NO PACKAGING TAPE OVER CARTON LABEL.

99581090 61299553

**FASCO** Model: K141  
71581090 Assembled In Mexico

120 V 60 Hz 1/70 HP  
J238-112 E64080 E48562  
Max. Amb 40°C

.83 LRA T.P. Class B  
.65 FLA @ 3000 RPM

US

FRONT SHAFT POSITION		TYPICAL PERFORMANCE AT 120 VOLTS 60 Hz											CUSTOMER: FASCO DIST.		FASCO FASCO MOTORS GROUP AC MOTOR/BLOWER DIVISION									
HORIZONTAL	UP DOWN	MOTOR SPEED	IDLE			LOADED			LOCKED			BREAK	PART NUMBER: K141	CONFIDENTIAL: DO NOT DUPLICATE OR DISCLOSE TO THIRD PARTIES WITHOUT WRITTEN PERMISSION OF FASCO MOTORS GROUP, AC MOTOR/BLOWER DIVISION.										
			R.P.M.	AMP.	WATT	IN.OZ.	R.P.M.	AMP.	WATT	IN.OZ.	AMP.	WATT	IN.OZ.	APPLICATION: DISTRIBUTION	MOTOR TYPE	DRAWING NUMBER								
			3419	.55	30	4.78	3000	.65	40	1.68	.83	49	6.14	MOTOR WEIGHT: 2 LBS <td colspan="2">MOTOR, C - FRAME</td> <td>7158 1090</td>	MOTOR, C - FRAME		7158 1090							
CUSTOMER APPROVAL:														ENVIRONMENT: DRY <td colspan="2">REV.</td> <td></td>	REV.									
SIGNED:														FINISH COLOR: NATURAL	B	LA	FR	A	S	C	E	B	A	07
DATE:														DRAWN BY: SDM	00	58	52	X	17	AE	0	B	0	
														DATE DRAWN: 02/18/2008										