

# PRODUCT INFORMATION PACKET



Model No: K3202

Catalog No: K3202

Pool Pump Motor, 2 HP, 3 Ph, 60 Hz, 208-230/460 V, 3600 RPM, 56C Frame, ODP



Regal and Century are trademarks of Regal Rexnord Corporation or one of its affiliated companies.  
©2022 Regal Rexnord Corporation, All Rights Reserved. MC017097E





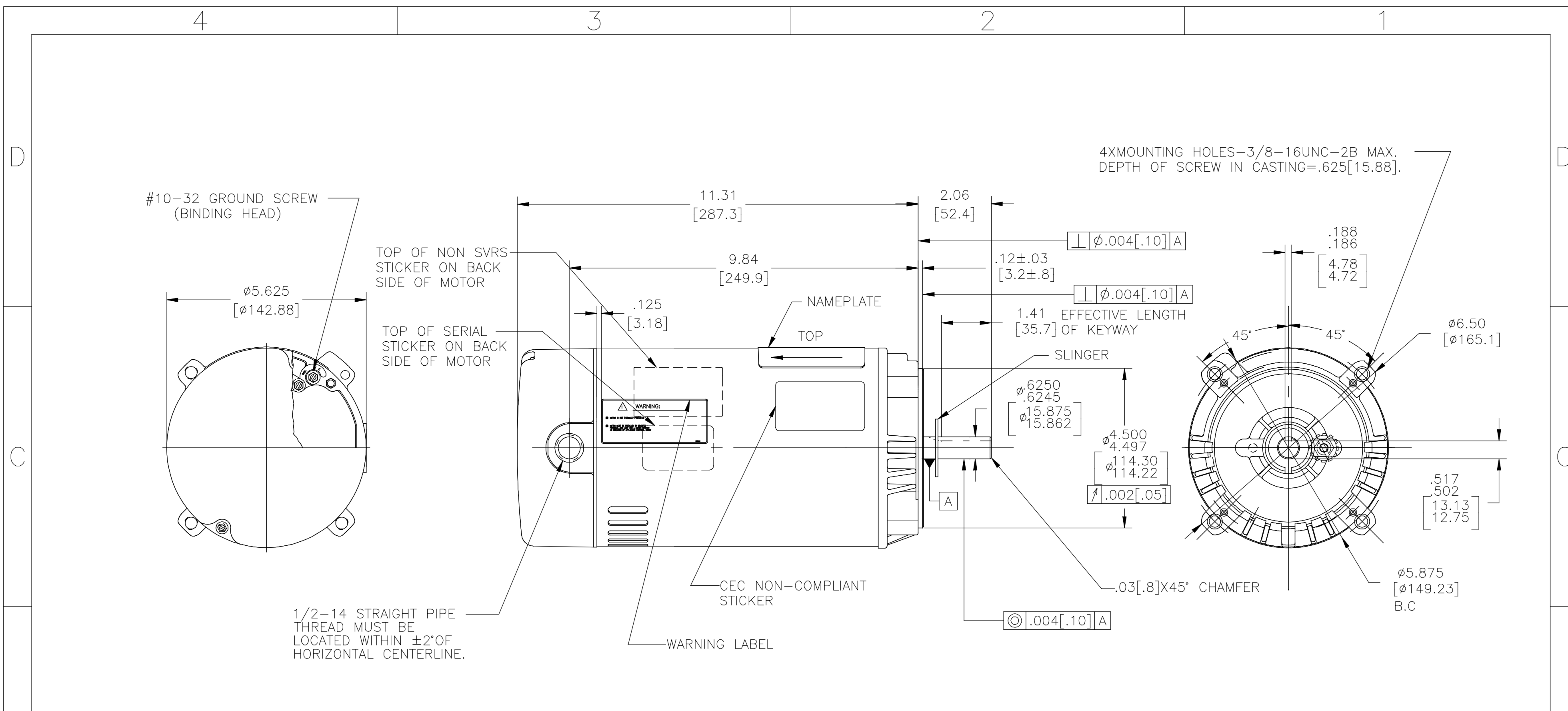
**Nameplate Specifications**

Output HP	<b>2 Hp</b>	Output KW	<b>1.5 kW</b>
Frequency	<b>60 Hz</b>	Voltage	<b>208-230/460 V</b>
Current	<b>6.6/3.3 A</b>	Speed	<b>3450 rpm</b>
Service Factor	<b>1.2</b>	Phase	<b>3</b>
Duty	<b>Continuous</b>	Insulation Class	<b>B</b>
Frame	<b>56C</b>	Enclosure	<b>Open Drip Proof</b>
Thermal Protection	<b>No Protection</b>	Ambient Temperature	<b>40 °C</b>
UL	<b>No</b>	CSA	<b>Y</b>
Number of Speeds	<b>1</b>		

**Technical Specifications**

Electrical Type	<b>Polyphase</b>	Poles	<b>2</b>
Rotation	<b>Reversible</b>	Mounting	<b>C Face</b>
Motor Orientation	<b>Horizontal</b>	Drive End Bearing	<b>Ball</b>
Opp Drive End Bearing	<b>Ball</b>	Frame Material	<b>Rolled Steel</b>
Shaft Type	<b>5/8 KEYED</b>	Overall Length	<b>13.37 in</b>
Frame Length	<b>7.94 in</b>	Shaft Diameter	<b>0.625 in</b>
Shaft Extension	<b>2.06 in</b>		
Connection Drawing	<b>614621-002</b>	Outline Drawing	<b>K3202-S01</b>

This is an uncontrolled document once printed or downloaded and is subject to change without notice. Date Created:11/28/2022



NAMEPLATE DATA	EXTERNAL CONNECTION DIAGRAM	NOTES
MODEL: P48N2DA1 CUST PN: K3202 HP: 2 SF: 1.2 ROT: REVERSIBLE RPM: 3450 TYPE: P CODE: L FORM: FRAME: 56C VOLTS: 208-230/460 AMPS: 6.6/3.3 MAX AMPS: 8.6/4.3 SF AMPS: - PH: 3 HZ: 60 INS: B AMB: 40 DUTY: CONT ENCLOSURE: ODP -		(1) FINISH PAINT TO BE SATIN BLACK. (2) .438 [11.13] WRENCH FLATS ON SHAFT -FOR ACCESS TO THIS WRENCH FLAT REMOVE END COVER. (3) CARBON STEEL SHAFT. (4) LIMITS ON AMPLITUDE OF VIBRATION MEASURED AT BEARING HOUSING = .001 [.03]. (5) MAX. END PLAY LESS THAN .005 [.13].

PERFORMANCE CURVE	APPROVED SAMPLE		
P48N2W1			
UL COMPONENT	CSA		
FILE#	CCN#	FILE#	GUIDE#
E46412	PRGY2	LR43341	4211-01
CUSTOMER	DISTRIBUTION SERVICES		

DRAWING REVISION	REVISION BY	DATE	TOLERANCES UNLESS OTHERWISE SPECIFIED
C	P.ROJAS	04-29-2019	DEC. INCH mm ANGLE
ECO	APPROVED BY	DATE	.XX ±0.1 [±2.5] ±0.5°
ECO-0165900	P.ROJAS	04-29-2019	.XX ±0.02 [±0.51]
SEE ECO			.XXX ±0.005 [±0.127]
			.XXXX ±0.0005 [±0.0127]
			REMOVE BURRS & BREAK SHARP EDGES .003/.015 [0.076/.381] X 45° CORNER FILLETS R.02 [5.1]
			MACHINED SURFACES $\sqrt{.004}$ [.10] A
			mm SHOWN IN [BRACKETS]

DRAWN BY:	DATE:	DESCRIPTION:
DZ	10-21-2010	MODEL-RFHP-48FR OUTLINE
APPROVED BY:	DATE:	MATERIAL:
DS	10-21-2010	
REFERENCE:	THIRD ANGLE PROJECTION:	SIZE DWG NO:
		C K3202
		SHEET 1

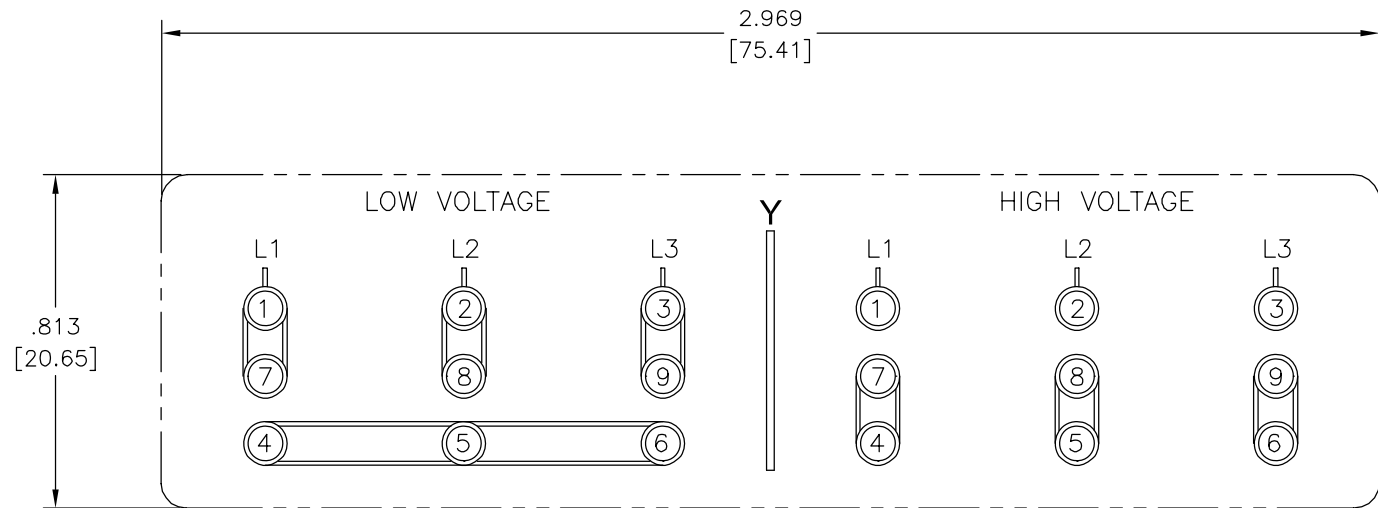
4

3

2

1

REV	ECO	REV BY	DATE	APPD	DATE
B	0025817	Caddie	05-07-2012	Jevon	05-07-2012



NOTES:

1. FOR USE WITH 614620 NAMEPLATE BLANK
2. DIE MUST PRODUCE A LEGIBLE IMPRESSION
3. \_\_\_\_\_ INDICATES DIMENSIONAL LIMITS. NO BOUNDARY LINES.

GEOMETRIC CHARACTERISTICS & SYMBOLS ▭ FLATNESS — STRAIGHTNESS ∠ ANGULARITY ⊥ PERPENDICULARITY (SQUARENESS) // PARALLELISM ○ ROUNDNESS (CIRCULARITY) ∅ CYLINDRICITY △ PROFILE OF ANY SURFACE ∩ PROFILE OF ANY LINE ↗ RUNOUT ⊕ TRUE POSITION ⊙ CONCENTRICITY = SYMMETRY ASME Y14.5M 1994	UNLESS OTHERWISE SPECIFIED DIM. TOLERANCES ARE AS FOLLOWS: INCH X XX XXX XXXX mm ±0.5 ±0.13 ±0.013 ANG. ±.50 DEG REMOVE BURRS & BREAK SHARP EDGES: INCH .003-.015 mm 0.1-0.4 CORNER FILLETS TO: INCH .020 mm 0.5 MACHINE SURFACES: INCH 125 mm 3.2 METRIC DIMS. SHOWN IN [BRACKETS]	DR BY:	G.GOLDY	03-08-2002	REGAL-BELOIT CORPORATION DESCRIPTION CONNECTION DIAGRAM-EXTERNAL
		APPD:			
		THIRD ANGLE PROJECTION			SIZE C DWG NO 614621-002
		CONFIDENTIAL: THIS DRAWING AND ITS INFORMATION ARE THE EXCLUSIVE AND CONFIDENTIAL PROPERTY OF REGAL-BELOIT CORPORATION AND ARE NOT TO BE DISCLOSED, DUPLICATED, DISTRIBUTED OR OTHERWISE USED WITHOUT THE WRITTEN CONSENT OF REGAL-BELOIT CORPORATION. -ALL RIGHTS RESERVED.			SCALE NONE SHEET 1

4

3

2

1

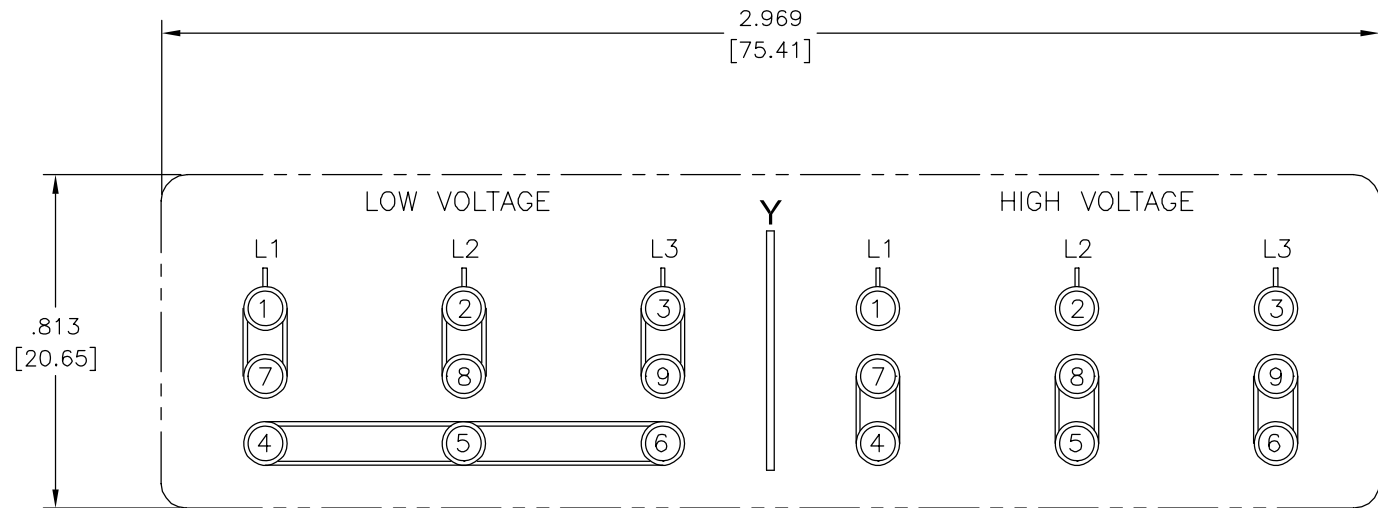
4

3

2

1

REVISION:	ECO	REVISADO POR:	FECHA:	APROBADO POR:	FECHA:
B	0025817	Caddie	05-07-2012	Jevon	05-07-2012



CARACTERISTICAS DE GEOMETRIA Y SIMBOLOS

- ▢ PLANICIDAD
- RECTITUD
- ∠ ANGULARIDAD
- ⊥ PERPENDICULARIDAD (A ESCUADRA)
- // PARALELISMO
- REDONDEZ (CIRCULARIDAD)
- ⊘ CILINDRICIDAD
- △ PERFIL DE CUALQUIER SUPERFICIE
- ∩ PERFIL DE CUALQUIER LINEA
- ↑ VARIACION
- ⊕ POSICION REAL
- ⊙ CONCENTRICIDAD
- = SIMETRIA

ASME Y14.5M 1994

A MENOS QUE SE ESPECIFIQUE DE OTRA MANERA, LAS TOLERANCIAS DE LAS DIMS; SON LAS SIGUIENTES:

	X	XX	XXX	XXXX
PULG	±.1	±.02	±.005	±.0005
mm	±0.5	±0.13	±0.013	

ANG. ± 50 GRADOS  
ELIMINAR REBABAS Y ORILLAS FILOSAS DEL BORDE.

PULG	.003-.015	mm	0.1-0.4
------	-----------	----	---------

FILETEAR ESQUINA: PULG .020 mm 0.5  
MAQUINAR SUPERFICIES  
PULG 125 mm .32

DIMS METRICAS MOSTRADAS [PARENTESIS]

DIBUJADO POR:	G.GOLDY	03-08-2002
APROBADO POR:		
TERCER ANGULO DE PROYECCION	⊕	FECHA EDS: 11-11-2011 REV. FORMATO: G
CONFIDENCIAL: ESTE DIBUJO Y SU INFORMACION SON PROPIEDAD DE USO EXCLUSIVO Y CONFIDENCIAL DE REGAL-BELOIT CORPORATION. Y NO DEBERAN SER REVELADOS, DUPLICADOS, DISTRIBUIDOS O USARSE DE OTRA MANERA SIN EL CONSENTIMIENTO ESCRITO DE REGAL-BELOIT CORPORATION. -TODOS LOS DERECHOS RESERVADOS.		

DESCRIPCION: <b>CONNECTION DIAGRAM-EXTERNAL</b>	
TAMAÑO: C	NUMERO DE DIBUJO: 614621-002
ESCALA: NONE	HOJA: 1

4

3

2

1

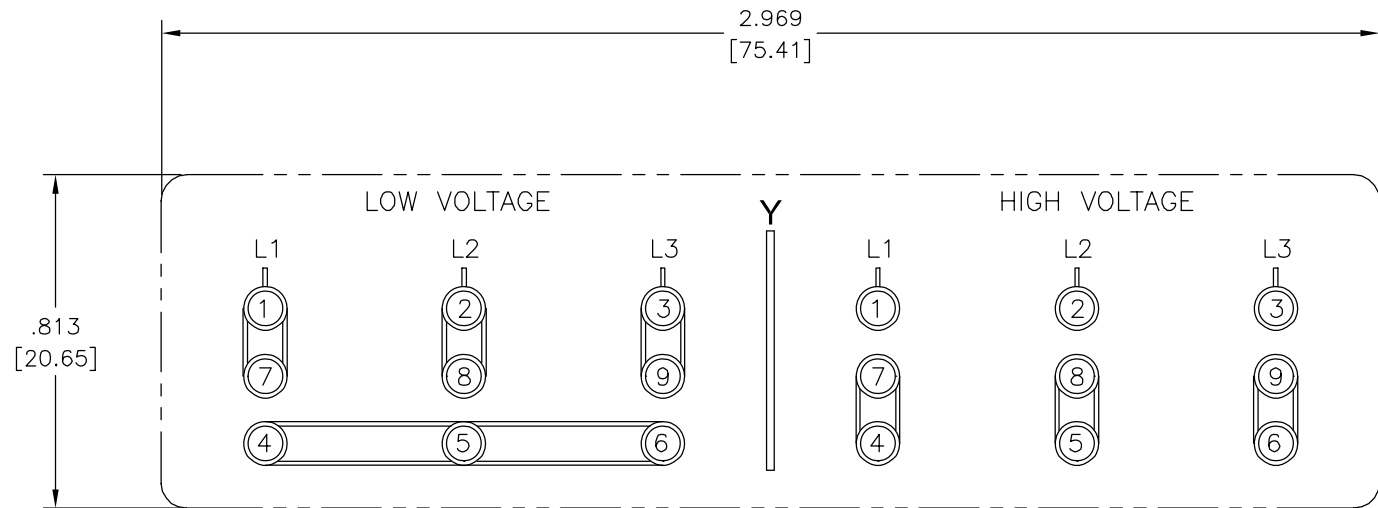
4

3

2

1

版本	ECO	编制	日期	批准	日期
B	0025817	Caddie	05-07-2012	Jevon	05-07-2012



形位公差	除另有注明 尺寸公差如下:
□ 平面度	英寸 X ±.1 XX ±.02 XXX ±.005 XXXX ±.0005
— 直线度	毫米 ±0.5 ±0.13 ±0.013
∠ 倾斜度	角度 ±.50 度
⊥ 垂直度	清理毛刺和尖棱
// 平行度	英寸 .003-.015 毫米 0.1-0.4
○ 圆度	内圆角
⊘ 圆柱度	英寸 .020 毫米 0.5
△ 面轮廓度	表面粗糙度
∩ 线轮廓度	英制 125 米制 3.2
↗ 圆跳动	米制尺寸显示在 [ ]
⊕ 位置度	
◎ 同轴度	
≡ 对称度	

ASME Y14.5M 1994

除另有注明 尺寸公差如下:	英寸 X ±.1 XX ±.02 XXX ±.005 XXXX ±.0005
毫米 ±0.5 ±0.13 ±0.013	
角度 ±.50 度	
清理毛刺和尖棱	
英寸 .003-.015 毫米 0.1-0.4	
内圆角	
英寸 .020 毫米 0.5	
表面粗糙度	
英制 125 米制 3.2	
米制尺寸显示在 [ ]	

绘图:	G.GOLDY	03-08-2002
批准:		
第三角投影		图纸格式发布日期 11-11-2011 图纸格式版本 G
机密: 本图纸及相关信息所有权归REGAL-BELOIT CORPORATION 未经REGAL-BELOIT CORPORATION书面授权, 不得泄露、 复制、传播或作其他用途。—版权所有		

名称 CONNECTION DIAGRAM-EXTERNAL	
图幅 C	图号 614621-002
比例 NONE	页号 1

4

3

2

1