

PRODUCT INFORMATION PACKET



Model No: LM21062
Catalog No: LM21062
1.50 HP Washdown Motor, 3 phase, 1800 RPM, 230/460 V, 56H Frame, ODP
Encapsulated Motors



Regal and Leeson are trademarks of Regal Beloit Corporation or one of its affiliated companies.
©2021 Regal Beloit Corporation, All Rights Reserved. MC017097E





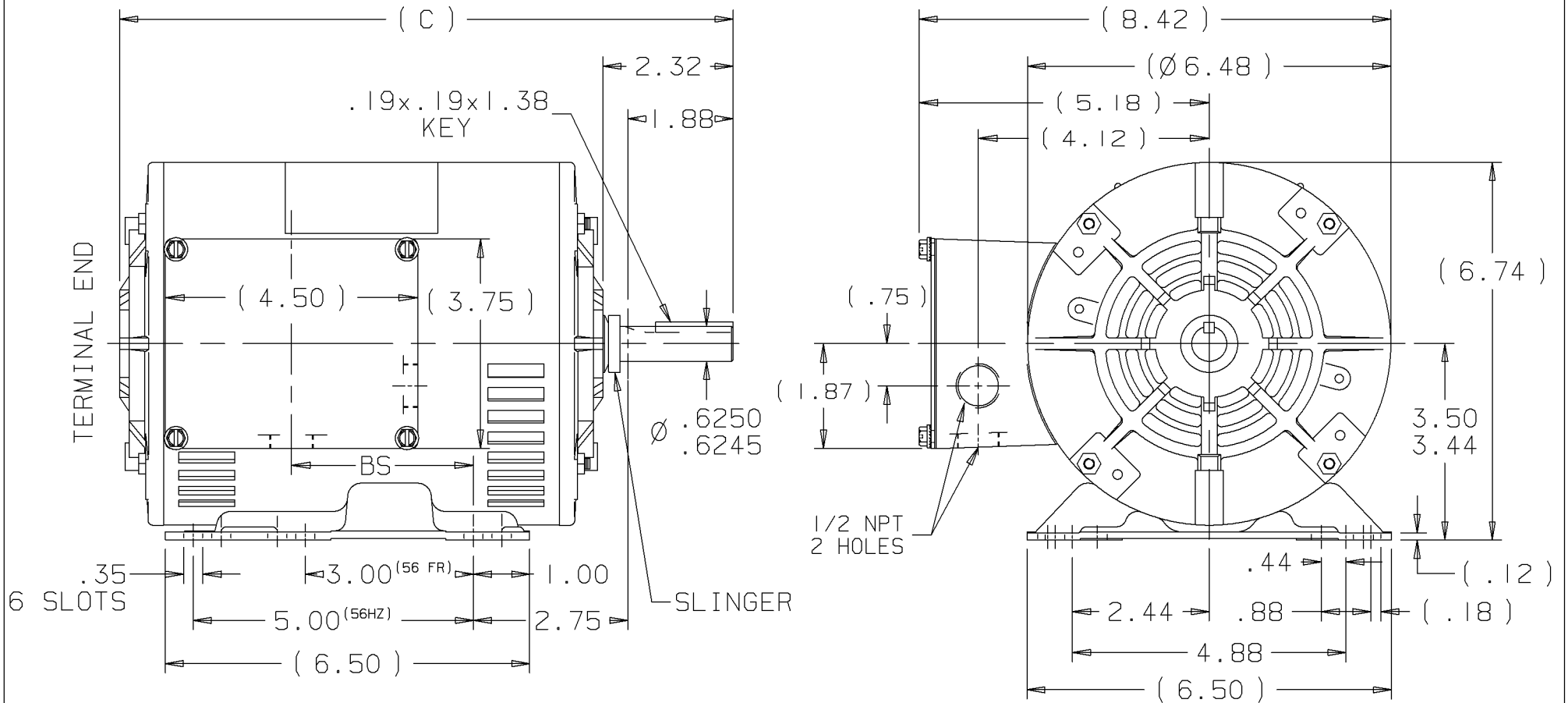
Nameplate Specifications

Output HP	1.50 Hp	Output KW	1.1 kW
Frequency	60 Hz	Voltage	230/460 V
Current	4.8/2.4 A	Speed	1725 rpm
Service Factor	1	Phase	3
Efficiency	80 %	Power Factor	74
Duty	Continuous	Insulation Class	F
Design Code	B	KVA Code	K
Frame	56H	Enclosure	Drip Proof
Thermal Protection	No	Ambient Temperature	40 °C
Drive End Bearing Size	203	Opp Drive End Bearing Size	203
UL	Recognized	CSA	Y
CE	N	IP Code	22

Technical Specifications

Electrical Type	Squirrel Cage Induction Run	Starting Method	Across The Line
Poles	4	Rotation	Reversible
Resistance Main	12.1 Ohms	Mounting	Rigid Base
Motor Orientation	Horizontal	Drive End Bearing	Ball
Opp Drive End Bearing	Ball	Frame Material	Rolled Steel
Shaft Type	T	Overall Length	10.94 in
Frame Length	7.06 in	Shaft Diameter	0.625 in
Shaft Extension	1.88 in	Assembly/Box Mounting	F1 ONLY
Connection Drawing	A-EE7308-LN	Outline Drawing	A-104916LN-706

This is an uncontrolled document once printed or downloaded and is subject to change without notice. Date Created:05/07/2021



DASH	FR.	C	BS	DASH	FR.	C	BS
706	56-70	10.94	3.25	856	56-85	12.44	4.75
756	56-75	11.44	3.75	906	56-90	12.94	5.25
806	56-80	11.94	4.25				

NOTE:
1. NAMEPLATE READ FROM TERMINAL END OF MOTOR

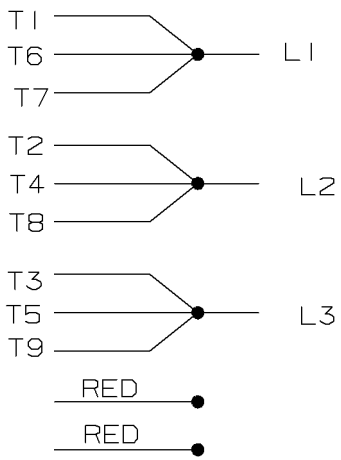
				Lincoln MOTORS		<input checked="" type="checkbox"/> UNLESS OTHERWISE SPECIFIED DIMENSIONS ARE IN INCHES TOL. ON XX±.03 XXX±.005 XXXX±.0005 ANGLES± 7'30"	
				MAX. SURFACE ROUGHNESS UNLESS OTHERWISE NOTED		WASHDOWN COND. BOX	
				FINISH		DRAWN BY BLR 07-05-2001	
				MATERIAL		CHKD BY ET 07-06-2001	
I				NEW DRAWING		DES./DEV. BLR	
						APPD BY ML 07-06-2001	
REV				DATE		CHANGE	
				NAME		PART NAME OUTLINE	
						629 FR. - DR.PR. - ENCAPSULATED - 56H	
						DRWG NO A-104916LN	
				PURCHASED		CADD FILE NO. 104916LN	

ERROR: syntaxerror
OFFENDING COMMAND: --nostringval--

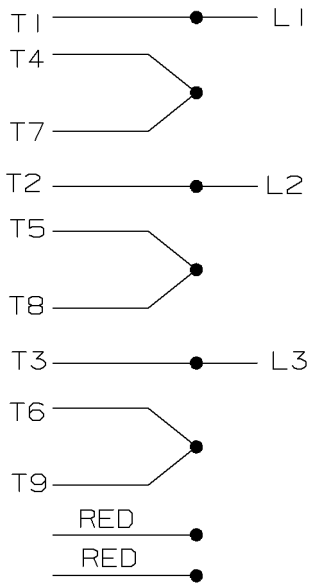
STACK:

208
/Idieresis
207
/Icircumflex
206
/Iacute
205
/Igrave
204
/Edieresis
203
/Ecircumflex
202
/Eacute
201
/Egrave
200
/Ccedilla
199
/AE
198
/Aring
197
/Adieresis
196
/Atilde
195
/Acircumflex
194
/Aacute
193
/Agrave
192
/questiondown
191
/threequarters
190
/onehalf
189
/onequarter
188
/guillemotright
187
/ordmasculine
186
/onesuperior
185
/cedilla
184
/periodcentered
183
/paragraph
182
/mu
181
/acute
180
/threesuperior
179
/twosuperior
178
/plusminus
177
/degree
176
/macron
175
/registered

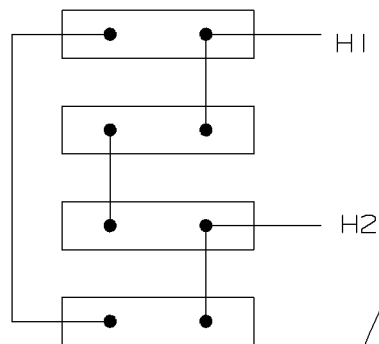
LOW VOLTAGE



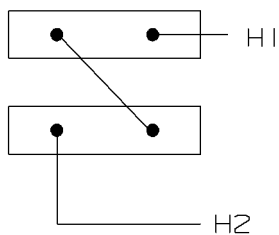
HIGH VOLTAGE



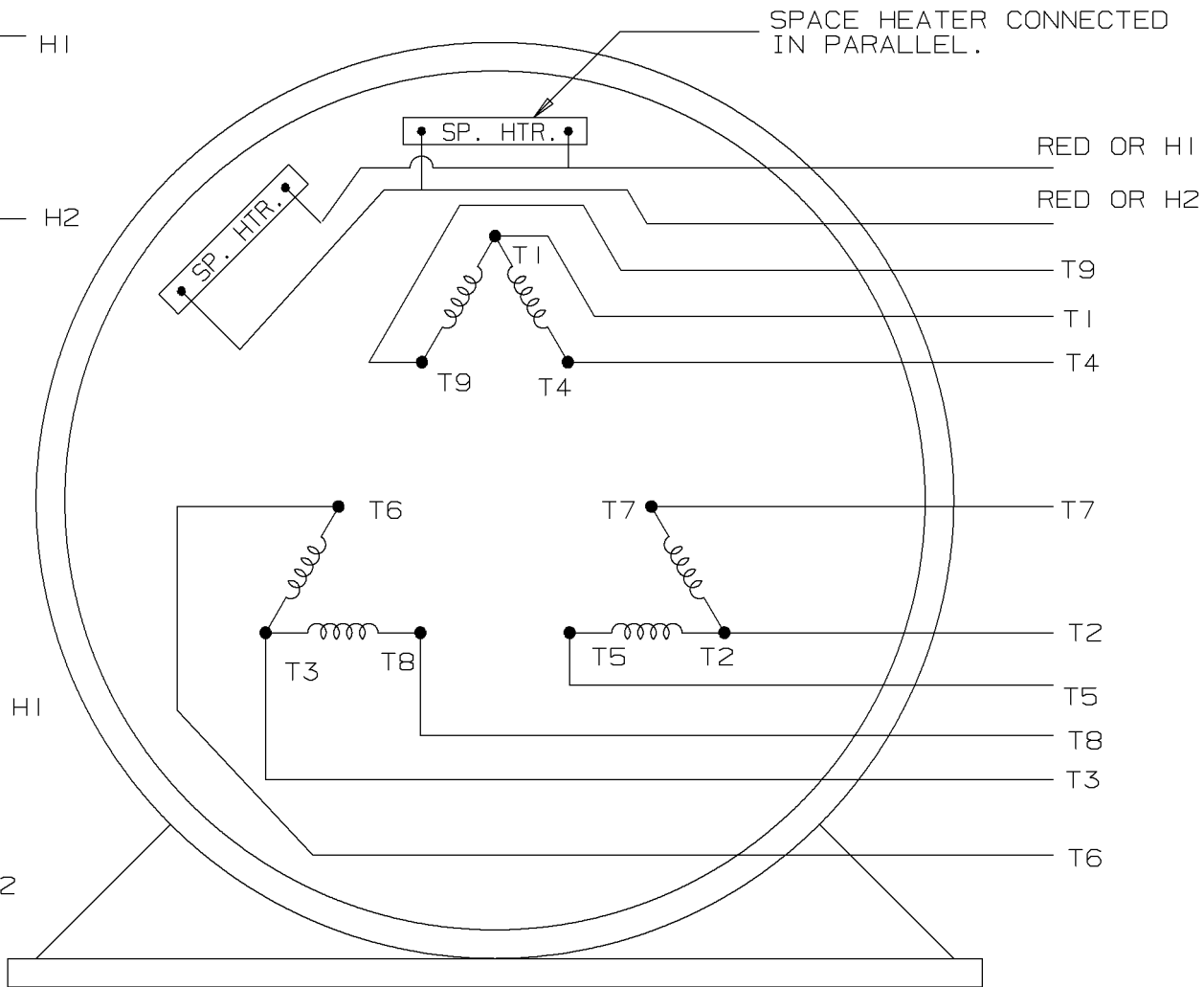
SPACE HEATERS CONNECTED IN SERIES PARALLEL



SPACE HEATERS CONNECTED IN SERIES



SPACE HEATER CONNECTED IN PARALLEL.



VIEW OF TERMINAL END

						✓ UNLESS OTHERWISE SPECIFIED DIMENSIONS ARE IN INCHES TOL. ON XX± .03 XXX± .005 XXXX± .0005 ANGLES± 7'30"					
						MAX. SURFACE ROUGHNESS UNLESS OTHERWISE NOTED		DRAWN BY CAV 04-14-2000			
						FINISH		CHKD BY DRS 04-14-2000			
						MATERIAL		APPD BY TB 04-14-2000			
REV	DATE	CHANGE		NAME	PART NAME CONNECTION DIAGRAM DELTA CONN. - 3Ø - 1-2CKT/SPACE HTR.				DRWG NO A- EE7308U-LN		
					PURCHASED		CADD FILE NO.		EE7308U-LN		

```
ERROR: undefined
OFFENDING COMMAND: sc
```

```
STACK:
```

```
1
1
-savelevel-
```

Data Sheet

Date: 2/1/2018

LM21062



Data @ 460 V

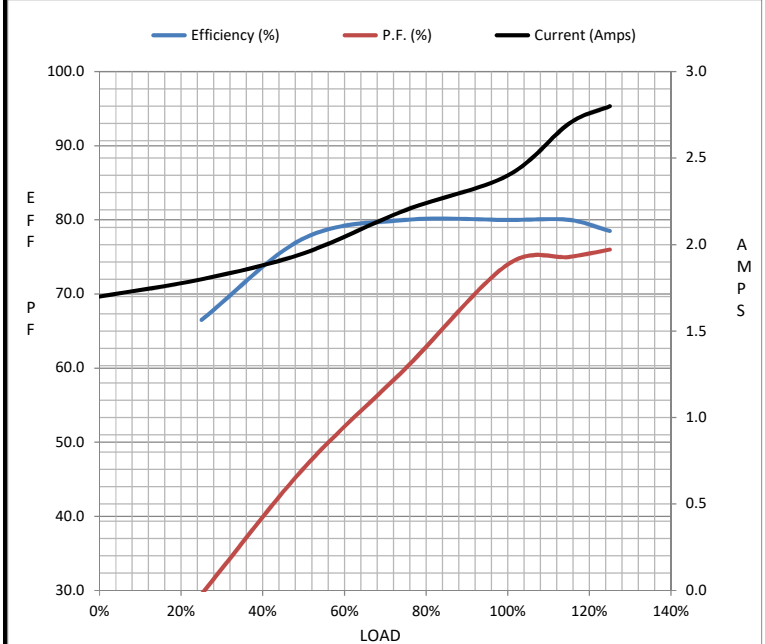
Motor Load Data

Load	0%	25%	50%	75%	100%	115%	125%	LR
Current (Amps)	1.70	1.80	1.95	2.20	2.40	2.70	2.80	17.5
Torque (ft-lb)	0.00	1.10	2.20	3.4	4.5	5.2	5.7	14.5
RPM	1800	1780	1770	1755	1735	1.730	1725	0
Efficiency (%)		66.5	77.5	80.0	80.0	80.0	78.5	
P.F. (%)	10.5	29.5	46.5	60.0	74.0	75.0	76.0	72.0

Motor Speed Data

	LR	Pull-Up	BD	Rated	Idle
Speed (RPM)	0	600	1215	1735	1800
Current (Amps)	17.5	16.0	12.0	2.40	1.70
Torque (ft-lb)	14.5	14.5	18.2	4.5	0.00

Information Block				
HP	1.5			
Sync. RPM	1800			
Frame	56			
Enclosure	DP			
Construction	TDR			
Voltage	230/460 V			
Frequency	60 Hz			
Design	B			
LR Code letter	K			
Service Factor	1.15			
Temp Rise @ FL	58 °C			
Duty	CONT			
Ambient	40 °C			
Elevation	1,000 feet			
Rotor/Shaft wk ²	0.07 Lb-Ft ²			
Ref Wdg	ZT416 NONE			
Sound Pressure @ 1M	56 dBA			
VFD Rating	NONE			
Outline Dwg	A-104916LN-706			
Conn. Diag	A-EE7308-LN			
Additional Specifications:				
0				
0				
EQUIV CKT (OHMS / PHASE)				
R1	R2	X1	X2	Xm
7.5600	5.6700	9.4500	7.5600	168.2100



Speed - Torque Curve

