

PRODUCT INFORMATION PACKET



Model No: LM24102

Catalog No: LM24102

General Purpose Motor, 1 & 1 HP, 3 Ph, 60 & 50 Hz, 230/460 & 190-208/380-415 V, 1800 & 1500 RPM,
143T Frame, TENV



Regal and LEESON are trademarks of Regal Rexnord Corporation or one of its affiliated companies.
©2025 Regal Rexnord Corporation, All Rights Reserved. MC017097E



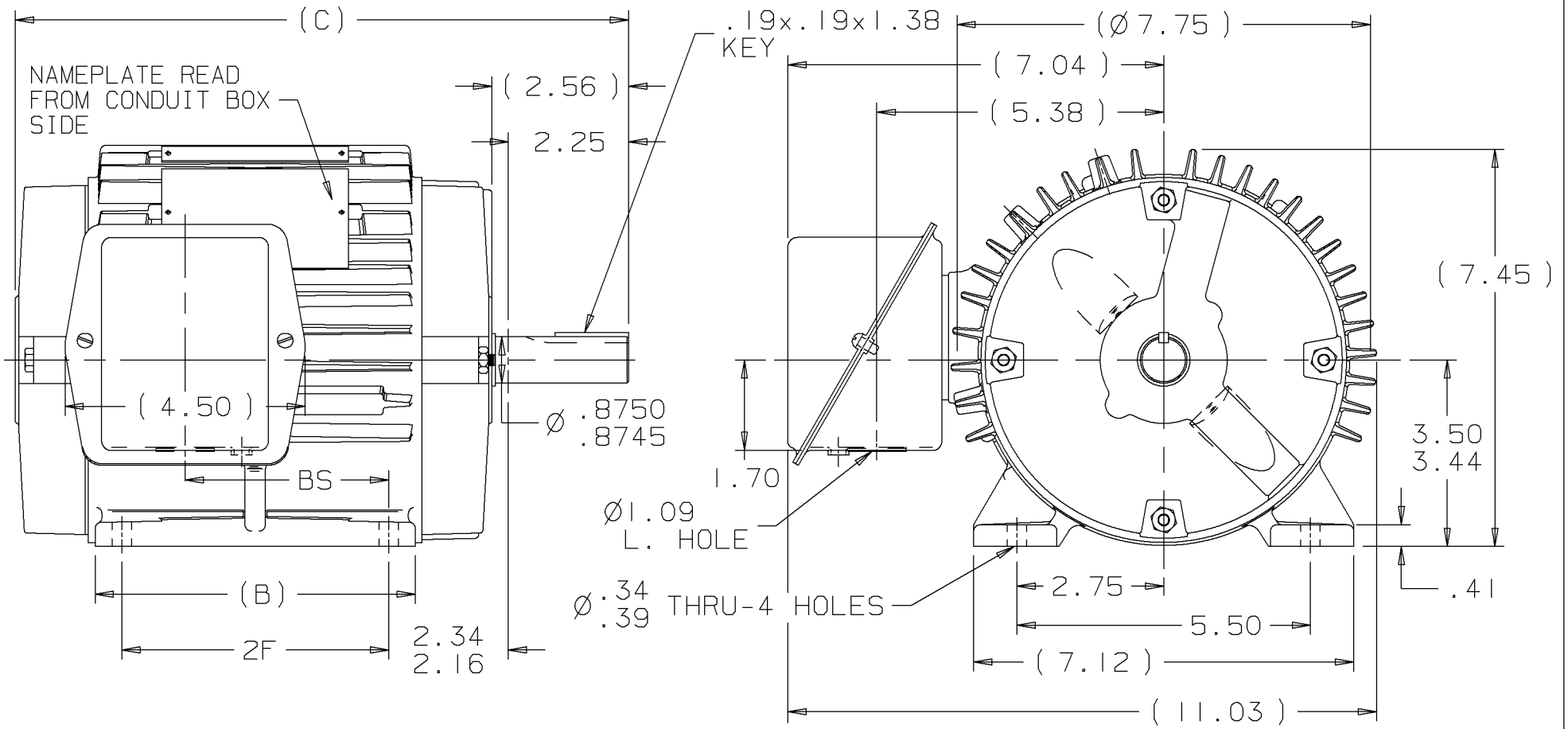


Nameplate Specifications

Phase	3	Output HP	1 & 1 Hp
Output KW	0.75 & 0.75 kW	Voltage	230/460 & 190-208/380-415 V
Speed	1735 & 1445 rpm	Service Factor	1.25 & 1.15
Frame	143T	Enclosure	Totally Enclosed Non Ventilated
Thermal Protection	No Protection	Efficiency	85.5 & 84.5 %
Ambient Temperature	40 °C	Frequency	60 & 50 Hz
Current	3/1.5 & 3.4-3.4/1.7-1.7 A	Power Factor	72
Duty	Continuous	Insulation Class	F
Design Code	B	KVA Code	M
Drive End Bearing Size	205	Opp Drive End Bearing Size	203
UL	Recognized	CSA	Y
CE	Y	IP Code	43
Number of Speeds	1		

Technical Specifications

Electrical Type	Squirrel Cage Induction Run	Starting Method	Across The Line
Poles	4	Rotation	Reversible
Resistance Main	13.8 Ohms	Mounting	Rigid Base
Motor Orientation	Horizontal	Drive End Bearing	Ball
Opp Drive End Bearing	Ball	Frame Material	Cast Iron
Shaft Type	T	Overall Length	10.43 in
Frame Length	5.25 in	Shaft Diameter	0.875 in
Shaft Extension	2.25 in	Assembly/Box Mounting	F1/F2 CAPABLE
Connection Drawing	EE7308-LN	Outline Drawing	100655LN-525



- NOTES:
 1- BOX CAN BE ROTATED IN 90° STEPS.
 2- BOX CAN BE MOUNTED ON OPPOSITE SIDE BY REMOVING BRACKETS AND TURNING FRAME 180°.
 3- FRONT GREASE HOLE LOCATIONS SHOWN WITH HIDDEN LINES.

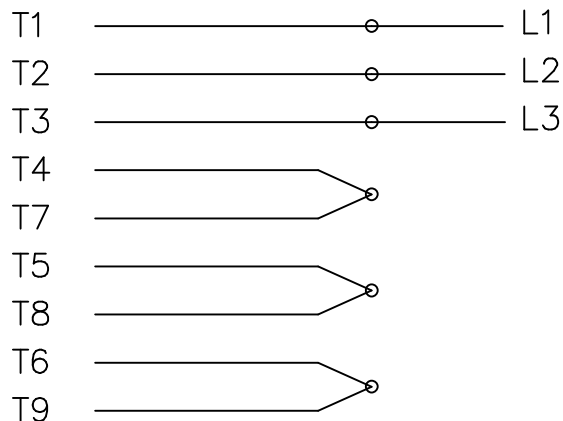
DASH	FR.	B	C	BS	2F
525	143T	5.00	10.43	2.81	4.00
625	145T	6.00	11.43	3.81	5.00

					✓ UNLESS OTHERWISE SPECIFIED DIMENSIONS ARE IN INCHES TOL. ON XX±.02 XXX±.005 XXXX±.0005 ANGLES± 7'30"			
					MAX. SURFACE ROUGHNESS UNLESS OTHERWISE NOTED			DRAWN BY TRB 07-27-1999
				FINISH			CHKD BY	
				MATERIAL			APPD BY	
1		NEW DRAWING		TRB	PART NAME OUTLINE			DRWG NO
REV	DATE	CHANGE	NAME	140T FR. - BB - TS - TEFC				A-100655LN

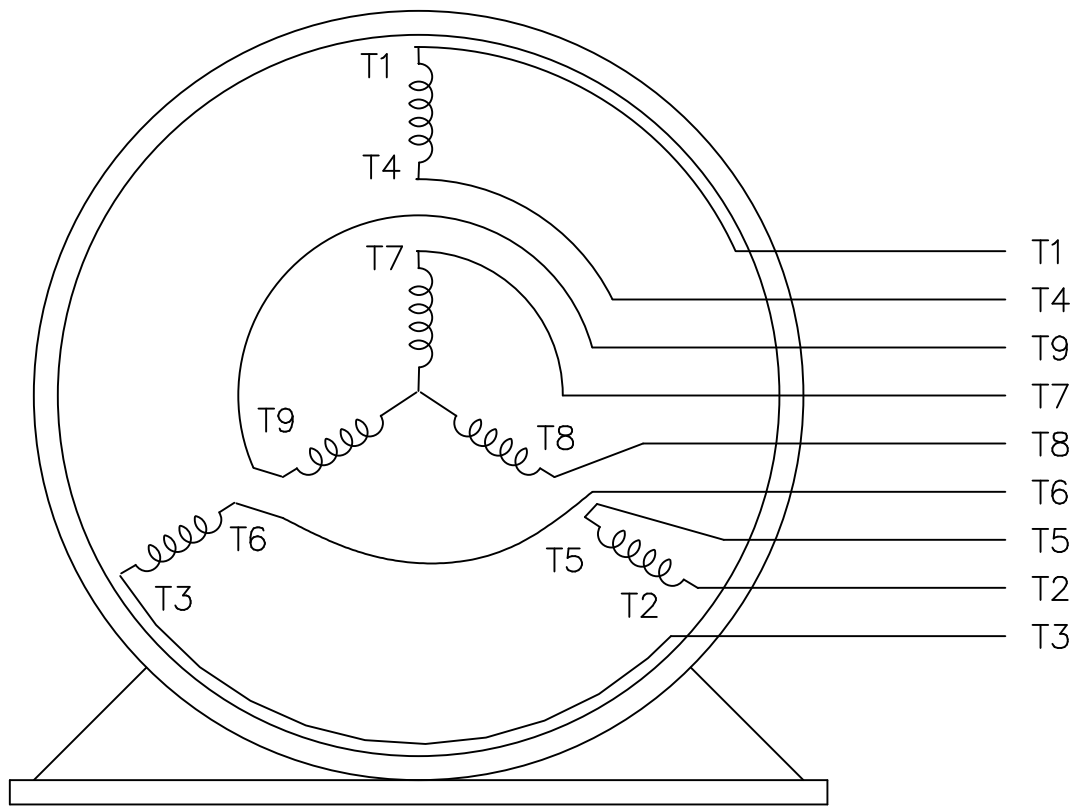
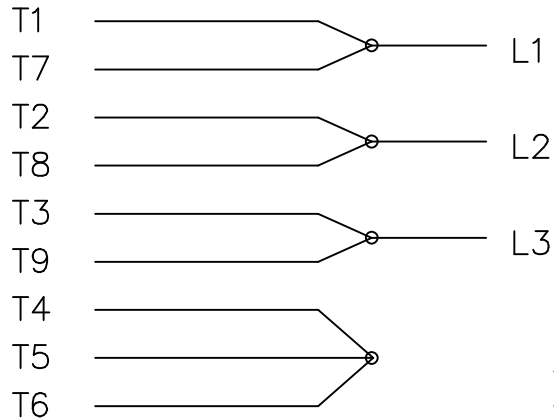
PURCHASED | CADD FILE NO. | 100655LN

THREE PHASE
DUAL VOLTAGE MOTOR

HIGH VOLTAGE



LOW VOLTAGE



VIEW OF TERMINAL END

REF.
WINDING DIAGRAM

T8Y, T2Y, T2BL, T4BX, T2EC, T2G
T6BZ, T2B, T6BL, T4AV, T6B, T4B

OPTIONAL CORD
CONNECTION

L1 — WHITE
L2 — RED
L3 — BLACK

NO.	REVISION	BY & DATE	CHK	TOLERANCES UNLESS SPECIFIED		FINISH	DRAWN	ML	GK	SCALE	PAGE	OF	REV.
				DEC.	INCHES								
				.X	±.1		BLR	ML	GK	1=1			
3	ADDED THE OPTIONAL CORD CONNECTION MU46318	RDH 04/24/2003	DRS	.XX	±.02	TITLE CONNECTION DIAGRAM							
2	RE-ISSUE, ADDED '-' TO PART NUMBER	BLR 08/09/1999	GK	.XXX	±.005	3∅ - DUAL VOLTAGE MOTOR							
1	NEW DRAWING	BLR 06/18/1999	GK	.XXXX	±.0005	MAT'L.							
				ANG	±7'30"								
			RFP			CAD FILE EE7308LN	SIZE	DRAWING NO.	PAGE	OF			
			DIST	WP			A	EE7308-LN					3



Data Sheet

Date: 1/30/2018

LM24102



Data @ 460 V

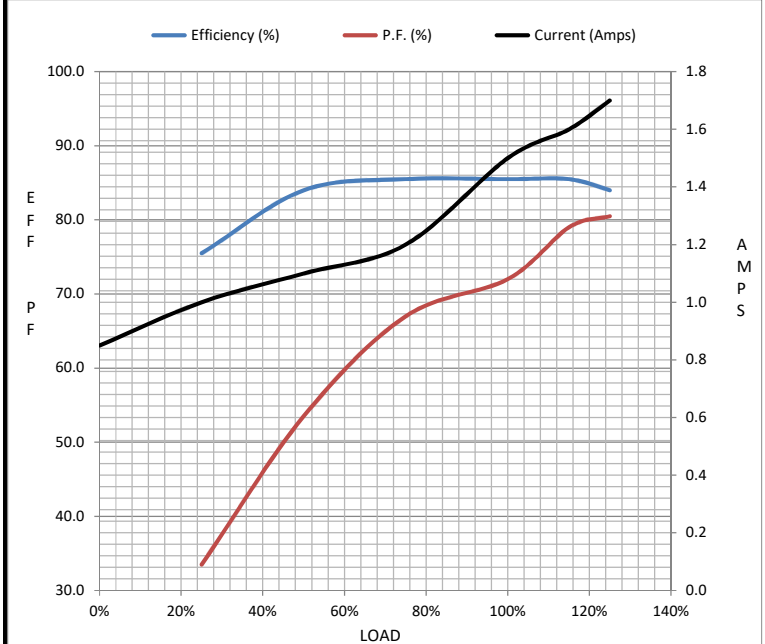
Motor Load Data

Load	0%	25%	50%	75%	100%	115%	125%	LR
Current (Amps)	0.85	1.00	1.10	1.20	1.50	1.60	1.70	13.5
Torque (ft-lb)	0.00	0.75	1.50	2.20	3.0	3.5	3.8	11.0
RPM	1800	1785	1770	1755	1735	1.730	1725	0
Efficiency (%)		75.5	84.0	85.5	85.5	85.5	84.0	
P.F. (%)	10.0	33.5	53.5	67.0	72.0	79.0	80.5	0.0

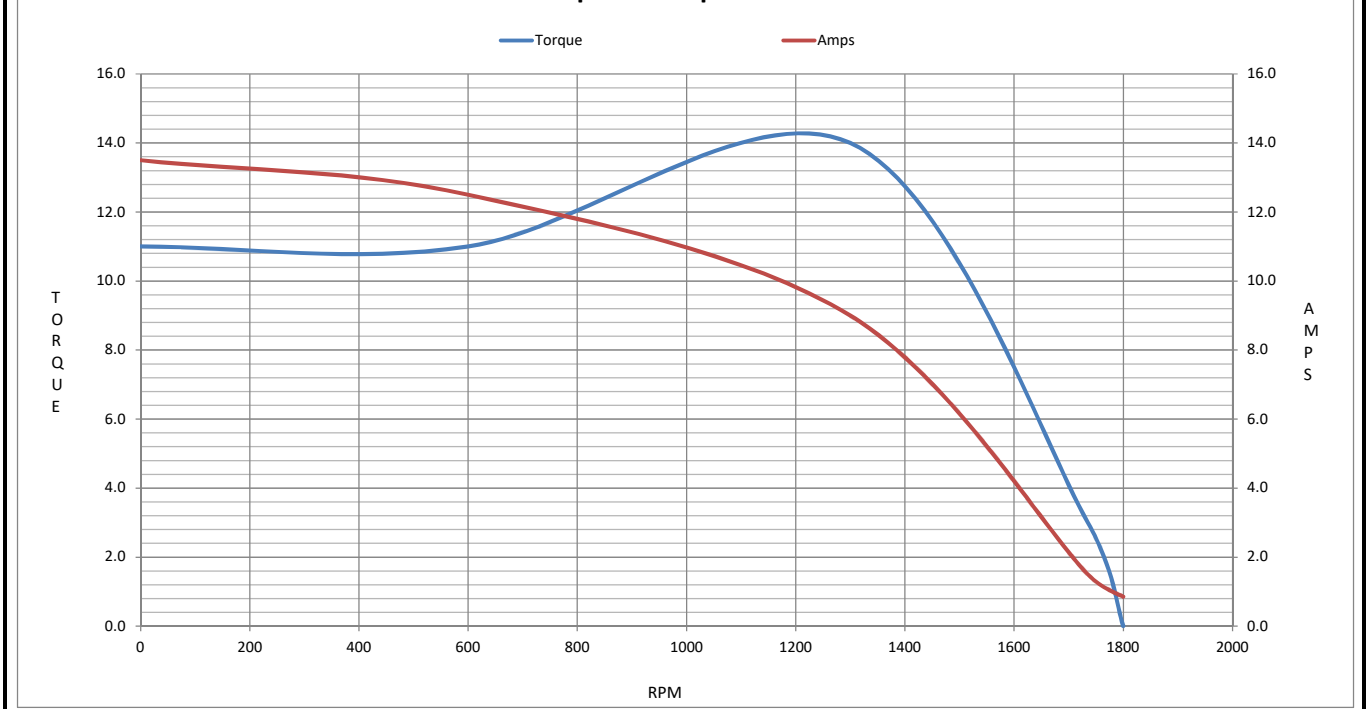
Motor Speed Data

	LR	Pull-Up	BD	Rated	Idle
Speed (RPM)	0	600	1300	1735	1800
Current (Amps)	13.5	12.5	9.0	1.50	0.85
Torque (ft-lb)	11.0	11.0	14.0	3.0	0.00

Information Block				
HP	1.0			
Sync. RPM	1800			
Frame	143			
Enclosure	TENV			
Construction	TTN			
Voltage	230/460#190-208/380-415 V			
Frequency	60 Hz			
Design	A			
LR Code letter	M			
Service Factor	1.15			
Temp Rise @ FL	55 °C			
Duty	CONT			
Ambient	40 °C			
Elevation	1,000 feet			
Rotor/Shaft wk ²	0.10 Lb-Ft ²			
Ref Wdg	ZT492 R2			
Sound Pressure @ 1M	62 dBA			
VFD Rating	NONE			
Outline Dwg	A-100655LN-525			
Conn. Diag	A-EE7308-LN			
Additional Specifications:				
0				
0				
EQUIV CKT (OHMS / PHASE)				
R1	R2	X1	X2	Xm
7.8670	5.4810	11.6440	10.3660	301.0400



Speed - Torque Curve



EC Declaration of Conformity

The undersigned representing
the manufacturer:

Regal Beloit America
1946 West Cook Road
Fort Wayne, IN 46818

and the authorized representative
established within the Community:

Regal Beloit Italy
Via Modena, 18
24040 Ciserano(BG) - Italy

are committed to providing customers with products that comply with applicable regulations and international protocols to which they are subject, including the requirements of the European Parliament Directive on the Harmonization of the laws relating to electrical equipment designed for use within certain voltage limits (2014/35/EU).

Regal Beloit America declares that the following product(s), to which this declaration relates, are in conformity with the relevant sections of the EC standards listed below.

This statement supersedes any statements previously issued pertaining to the product(s) listed below and is subject to change without notice.

Model No : LM24102

(Model No. may contain prefix and/or suffix characters)

Catalog No : LM24102

Rework No : N/A

Directives :

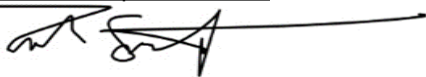
Low Voltage Directive 2014/35/EU

Harmonized Standards Used :

EN 60034-1: 2010 (IEC 60034-1: 2010)

EN 60034-5: 2001/A1:2007 (IEC 60034-5: 2000/A1:2006)

Authorized Representative:



Zach Stauffer
Vice President, Engineering

Authorized Representative in the Community:



Stefano Casiraghi
Technology Director, Engineering

Created on 07/28/2025

CE 25