

PRODUCT INFORMATION PACKET

Model No: LM24259

Catalog No: LM24259

Automotive Duty Motor, 0.50 HP, 3 Ph, 60 Hz, 230/460 V, 1800 RPM, 56C Frame, TENV



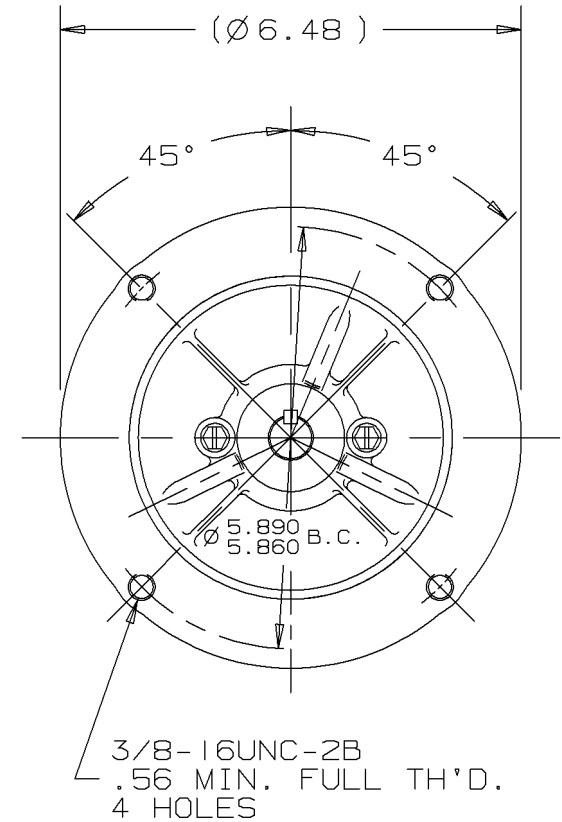
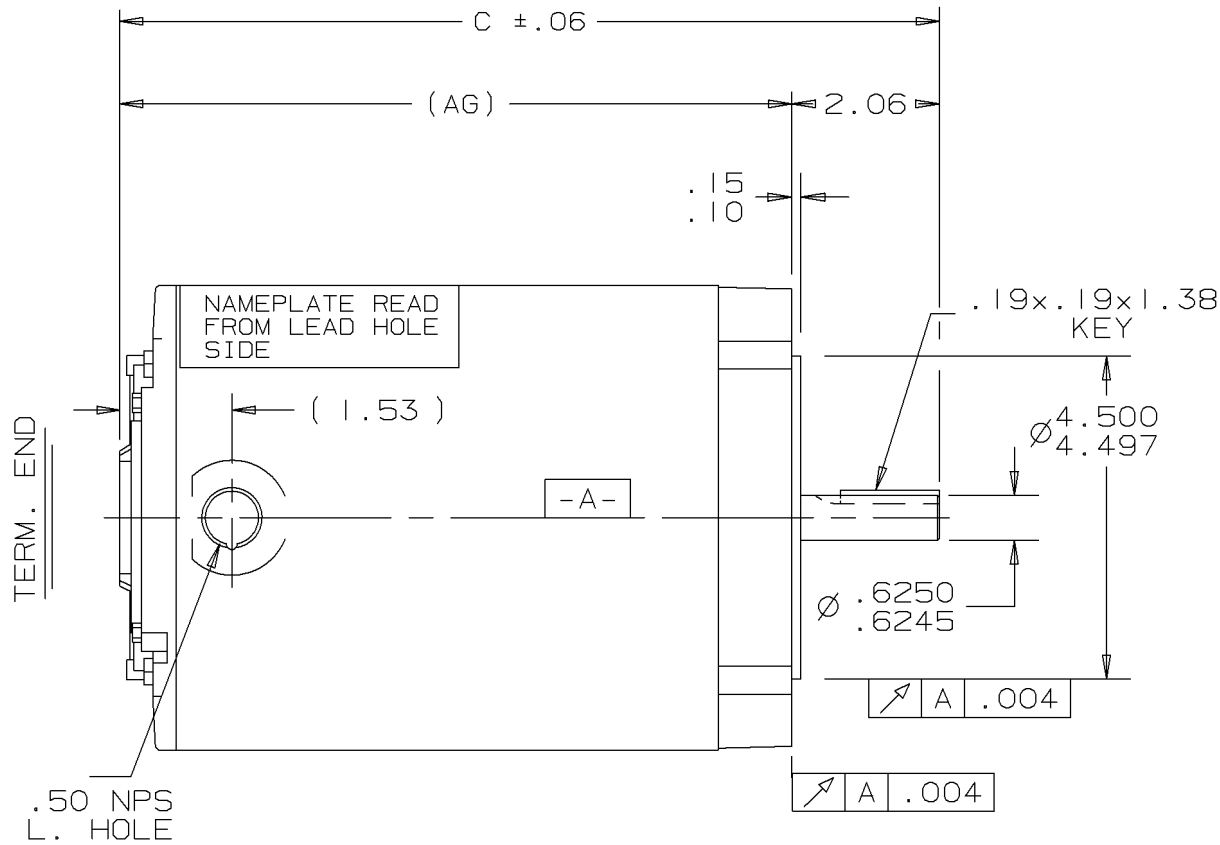
Regal and are trademarks of Regal Rexnord Corporation or one of its affiliated companies.
©2022 Regal Rexnord Corporation, All Rights Reserved. MC017097E

Nameplate Specifications

Output HP	0.50 Hp	Output KW	0.37 kW
Frequency	60 Hz	Voltage	230/460 V
Current	2.0/1.0 A	Speed	1725 rpm
Service Factor	1	Phase	3
Efficiency	77 %	Power Factor	62
Duty	Continuous	Insulation Class	F
Design Code	B	KVA Code	P
Frame	56C	Enclosure	Totally Enclosed Non Ventilated
Thermal Protection	No Protection	Ambient Temperature	65 °C
Drive End Bearing Size	203	Opp Drive End Bearing Size	203
UL	Recognized	CSA	Y
CE	N	IP Code	43
Number of Speeds	1		

Technical Specifications

Electrical Type	Squirrel Cage Induction Run	Starting Method	Across The Line
Poles	4	Rotation	Reversible
Resistance Main	28.8 Ohms	Mounting	Round
Motor Orientation	Horizontal	Drive End Bearing	Ball
Opp Drive End Bearing	Ball	Frame Material	Rolled Steel
Shaft Type	NEMA 56	Overall Length	10.44 in
Frame Length	6.56 in	Shaft Diameter	0.625 in
Shaft Extension	1.88 in	Assembly/Box Mounting	F1 ONLY
Outline Drawing	100104LN-656	Connection Drawing	EE7308-LN



DASH	FR.	C	AG		DASH	FR.	C	AG	
606	56-60	9.94	7.87		806	56-80	11.94	9.87	
656	"-65	10.44	8.37		856	"-85	12.44	10.37	
706	"-70	10.94	8.87		906	"-90	12.94	10.87	
756	"-75	11.44	9.37		956	"-95	13.44	11.37	

				Lincoln MOTORS				✓ UNLESS OTHERWISE SPECIFIED DIMENSIONS ARE IN INCHES TOL. ON XX± .02 XXX± .005 XXXX± .0005 ANGLES± 7'30"			
				MAX. SURFACE ROUGHNESS UNLESS OTHERWISE NOTED				DRAWN BY TRB		09-07-1999	
				FINISH				CHKD BY ML		09-07-1999	
				MATERIAL				APPD BY ET		09-08-1999	
REV	DATE	CHANGE				NAME	PART NAME OUTLINE				DRWG NO
							56 FR - BB - TENV - C-FACE - 3Ø				A-100104LN
				PURCHASED		CADD FILE NO.		100104LN			

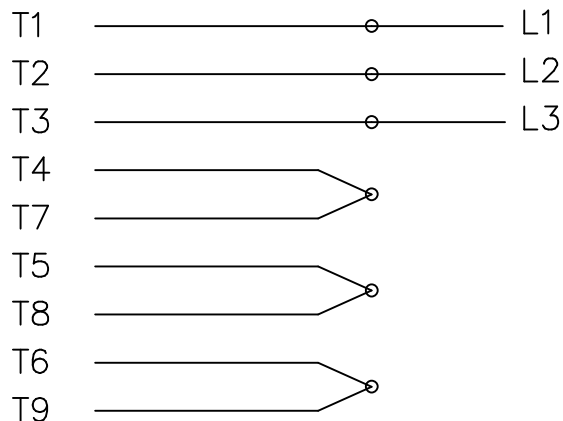
ERROR: undefined
OFFENDING COMMAND: en

STACK:

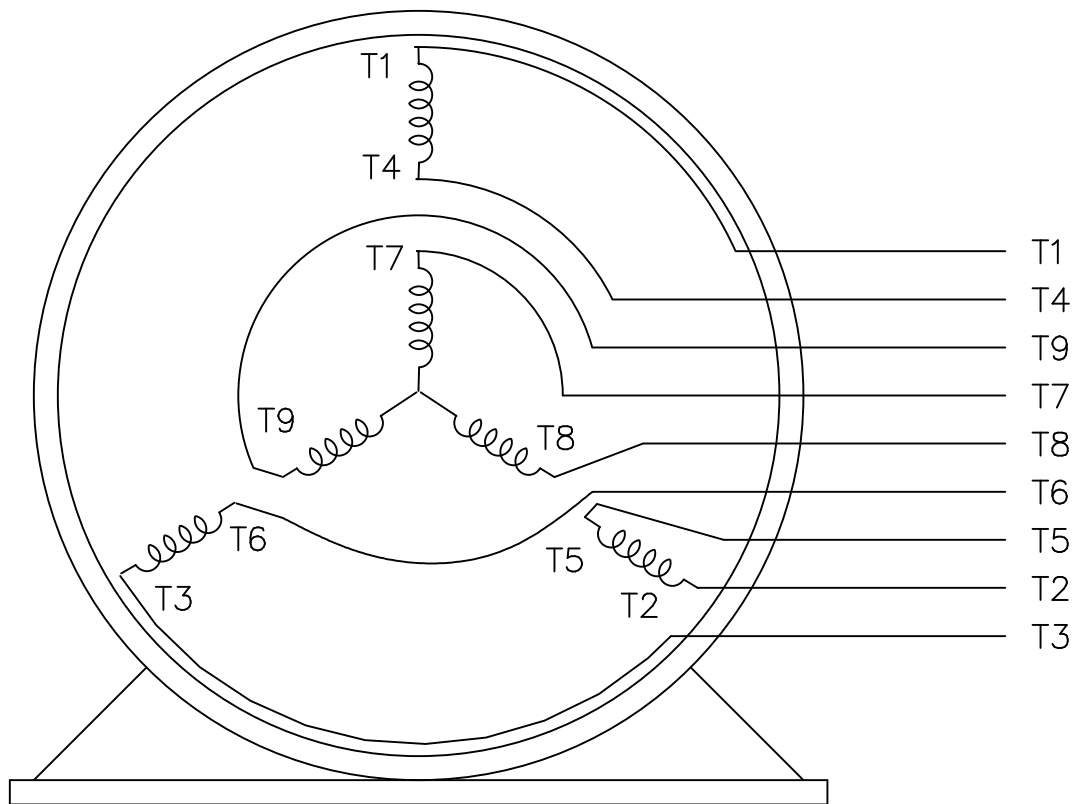
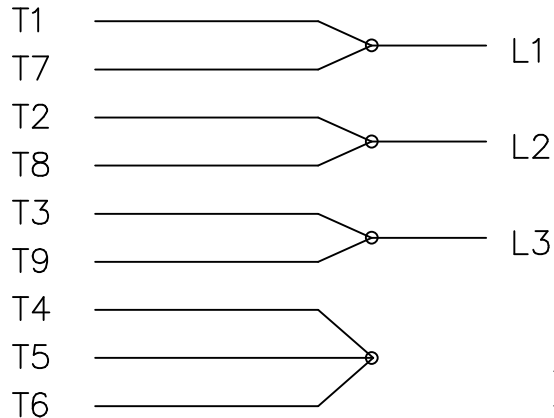
-dictionary-
/Pscript_WinNT_Compat
-dictionary-

THREE PHASE
DUAL VOLTAGE MOTOR

HIGH VOLTAGE



LOW VOLTAGE



VIEW OF TERMINAL END

REF.
WINDING DIAGRAM

T8Y, T2Y, T2BL, T4BX, T2EC, T2G
T6BZ, T2B, T6BL, T4AV, T6B, T4B

OPTIONAL CORD
CONNECTION

L1 — WHITE —
L2 — RED —
L3 — BLACK —

NO.	REVISION	BY & DATE	CHK	TOLERANCES UNLESS SPECIFIED		FINISH	DRAWN	DATE				
				DEC.	INCHES							
				.X	±.1		BLR	06/11/1999				
							ML	06/18/1999				
							GK	06/18/1999				
3	ADDED THE OPTIONAL CORD CONNECTION MU46318	RDH 04/24/2003	DRS	.XX	±.02	TITLE CONNECTION DIAGRAM		SCALE 1=1				
2	RE-ISSUE, ADDED '-' TO PART NUMBER	BLR 08/09/1999	GK	.XXX	±.005	3∅ - DUAL VOLTAGE MOTOR		REF				
1	NEW DRAWING	BLR 06/18/1999	GK	.XXXX	±.0005	MAT'L.		FMF				
				ANG	±7'30"			PREV				
				RFP	CAD FILE EE7308LN			SIZE	DRAWING NO.	PAGE	OF	REV.
				DIST	WP			A	EE7308-LN			3



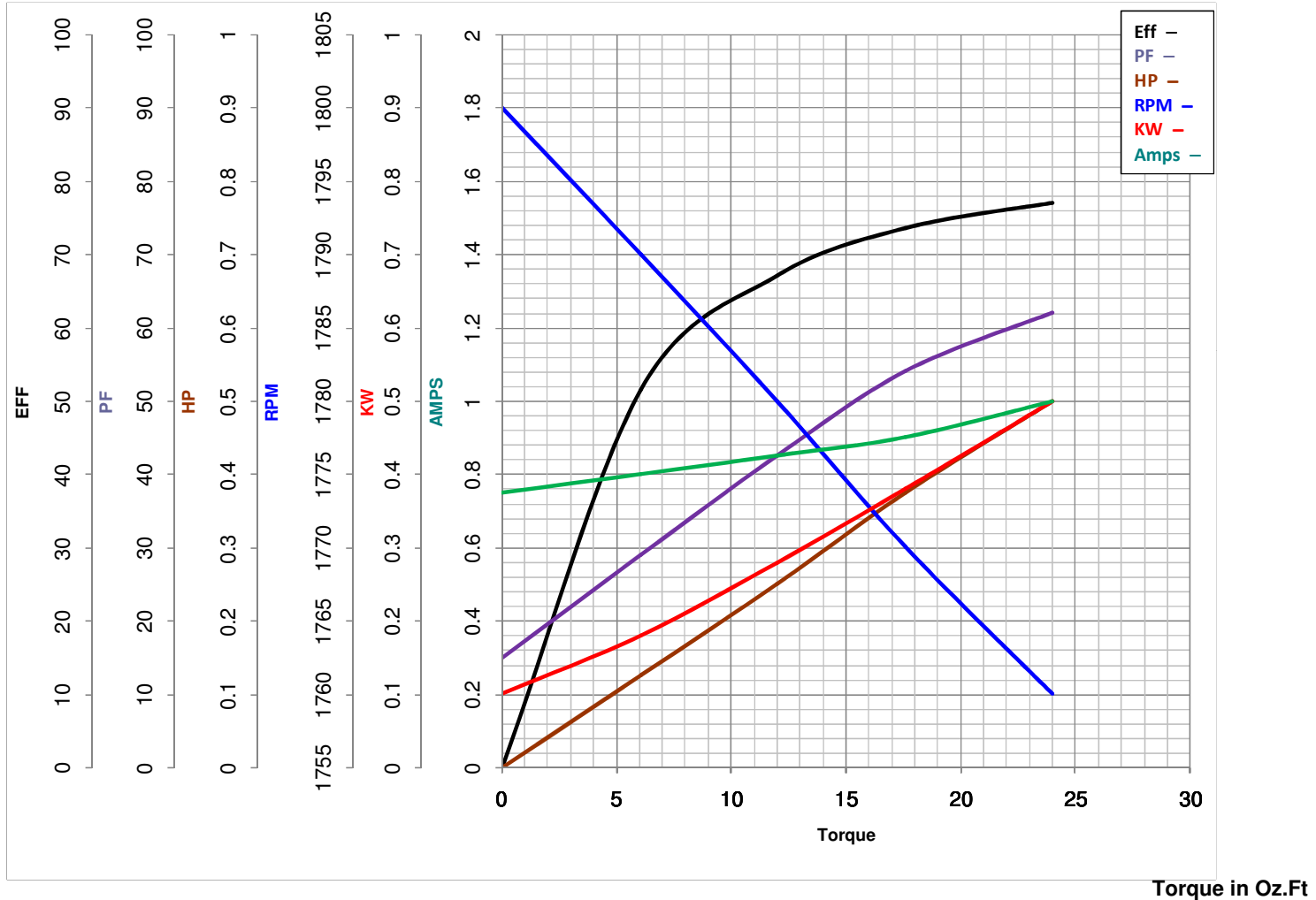


LEESON ELECTRIC CORPORATION
TYPICAL PERFORMANCE CURVE for AC MOTOR

Model No LM24259

Catalog No LM24259A

Curve at 460 Volts HP 0.50 PHASE 3
60 HZ
0.5 HP VOLTS 230/460
HZ 60 RPM 1725



FL TORQUE	<u>24</u>	Oz.Ft	FL AMPS	<u>2/1</u>	
BD TORQUE	<u>128.0</u>	Oz.Ft	PU TORQUE	<u>84.8</u>	Oz.Ft
LR TORQUE	<u>94.4</u>	Oz.Ft	LR AMPS	<u>8</u>	
WINDING	ZT4140-3		Date	<u>6/4/2018</u>	