

PRODUCT INFORMATION PACKET



Model No: LM24444
Catalog No: LM24444
Agricultural Motor, 0.50 HP, 1 Ph, 60 Hz, 115/230 V, 1200 RPM, 48Z Frame, TEAO



Regal and Leeson are trademarks of Regal Rexnord Corporation or one of its affiliated companies.
©2022 Regal Rexnord Corporation, All Rights Reserved. MC017097E





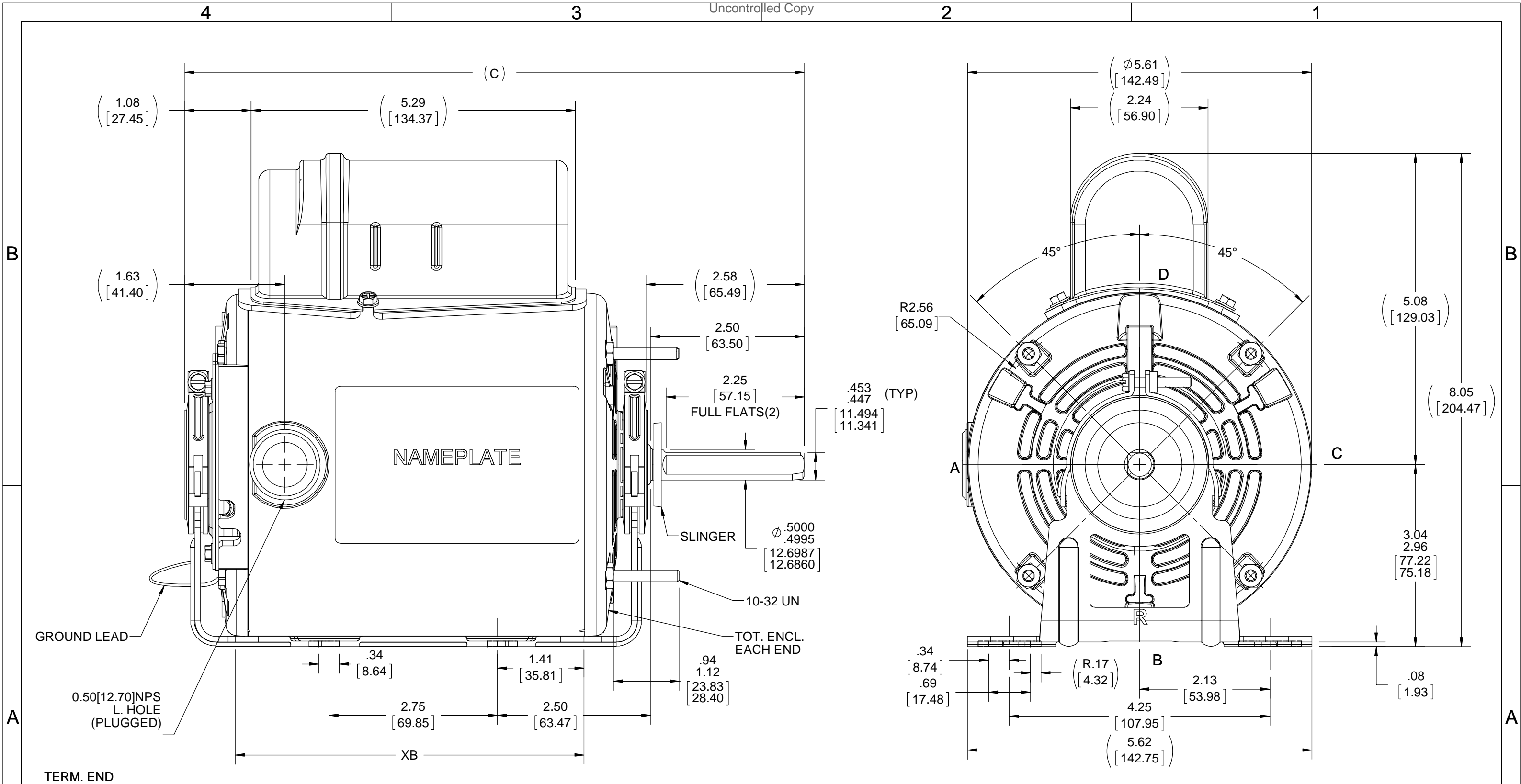
Nameplate Specifications

Output HP	0.50 Hp	Output KW	0.37 kW
Frequency	60 Hz	Voltage	115/230 V
Current	6.4/3.2 A	Speed	1075 rpm
Service Factor	1	Phase	1
Efficiency	68 %	Power Factor	78.5
Duty	Continuous	Insulation Class	B
Design Code	NO DESIGN CODE	KVA Code	D
Frame	48Z	Enclosure	Totally Enclosed Air Over
Thermal Protection	Automatic	Ambient Temperature	40 °C
Drive End Bearing Size	6203	Opp Drive End Bearing Size	6203
UL	Recognized	CSA	Y
CE	N	IP Code	43
Number of Speeds	1		

Technical Specifications

Electrical Type	Permanent Split Capacitor	Starting Method	Across The Line
Poles	6	Rotation	Selective Counterclockwise
Resistance Main	0 Ohms	Mounting	Resilient Base - Extended Studs
Motor Orientation	Horizontal	Drive End Bearing	Ball
Opp Drive End Bearing	Ball	Frame Material	Rolled Steel
Shaft Type	Single Special Extension	Overall Length	10.84 in
Frame Length	6.25 in	Shaft Diameter	0.500 in
Shaft Extension	2.5 in	Assembly/Box Mounting	F1 ONLY
Connection Drawing	EE9057AH-LN	Outline Drawing	SS404353-625

This is an uncontrolled document once printed or downloaded and is subject to change without notice. Date Created:11/28/2022



NOTES:-
 1) TOTALLY ENCLOSED MOTOR.
 2) FULLY GASKETED.
 3) NAMEPLATE LOC. @ 'A' TO BE READ FROM TERM END.

DASH	XB	C
550	5.69[144.52]	10.09[256.28]
625	6.44[163.57]	10.84[275.33]

DRAWING REVISION B	REVISION BY M. CHATLAPALLI	DATE 01/10/2019
ECO ECO-0159684	APPROVED BY S. MACHARLA	DATE 01/10/2019
ECO DESCRIPTION OUTLINE CONVERSION PROJECT <small>COPYRIGHT REGAL BELOIT AMERICA, INC. ALL RIGHTS RESERVED. PROPRIETARY AND CONFIDENTIAL INFORMATION - THIS DOCUMENT IS THE PROPERTY OF REGAL BELOIT AMERICA, INC. ("OWNER") AND CONTAINS OWNER'S PROPRIETARY INFORMATION. ANY PERSON, CORPORATION OR OTHER FIRM RECEIVING IT IS DEEMED, BY RECEIVING IT, TO AGREE THAT IT, AND/OR ANY PART OF IT, SHALL NOT BE DISCLOSED TO ANY PERSON, CORPORATION OR OTHER ENTITY, DUPLICATED, AND/OR USED, EXCEPT AS EXPRESSLY APPROVED IN WRITING IN ADVANCE BY OWNER. THIS DOCUMENT SHALL BE RETURNED TO OWNER UPON REQUEST. IT MAY BE SUBJECT TO CERTAIN RESTRICTIONS UNDER APPLICABLE EXPORT CONTROL LAWS AND REGULATIONS.</small>		

TOLERANCES UNLESS OTHERWISE SPECIFIED:

DEC.	INCH	mm	ANGLE
.X	±0.1	[±2.5]	±7° 30"
.XX	±0.03	[±0.76]	
.XXX	±0.005	[±0.127]	
.XXXX	±0.0005	[±0.0127]	

REMOVE BURRS & BREAK SHARP EDGES: .003/.015 [.076/.381] X 45°
 CORNER FILLETS: R.02 [.51]
 MACHINED SURFACES: 200 INCH/mm 5.1
 mm SHOWN IN [BRACKETS]

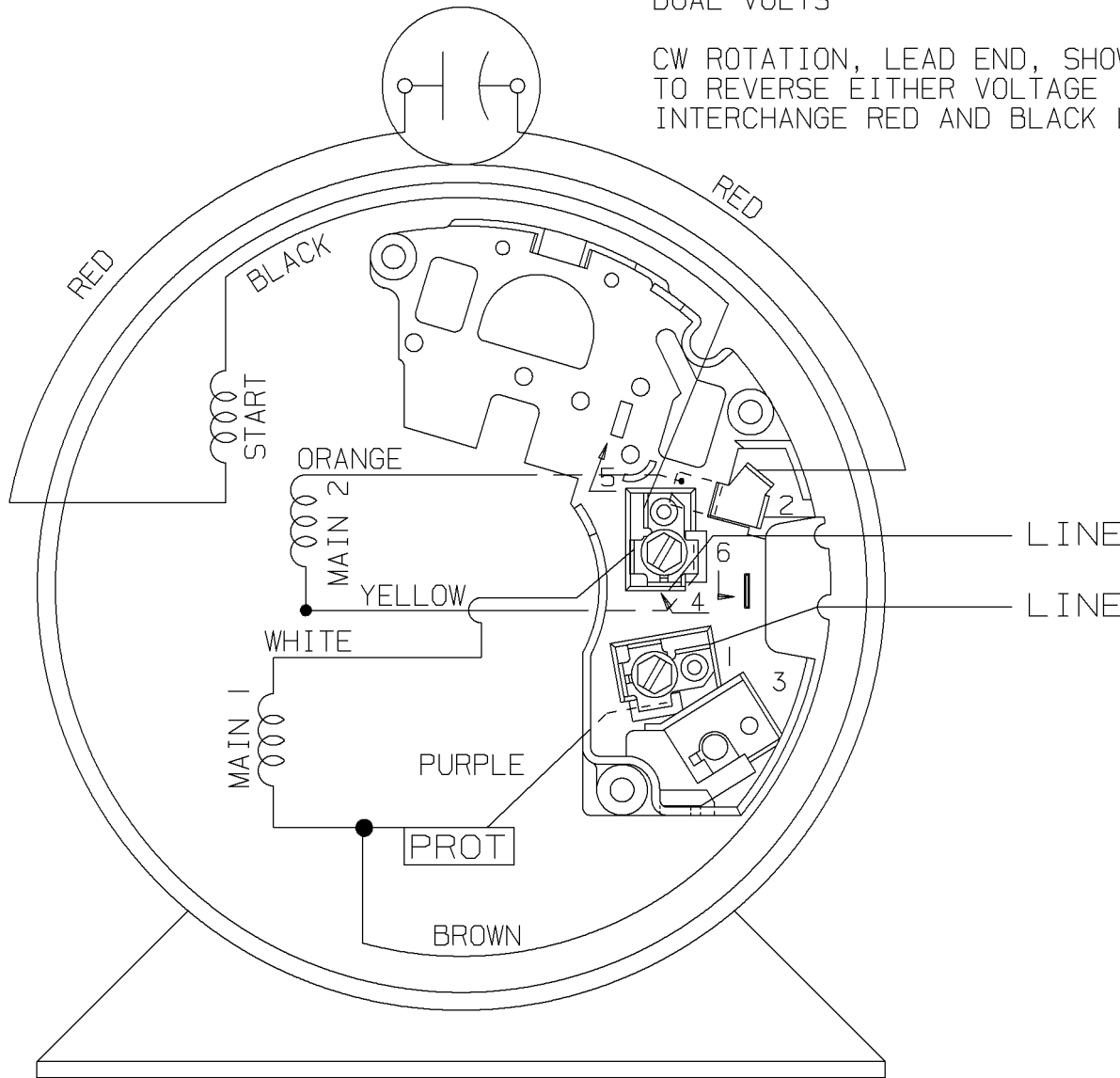
DRAWN BY M. CHATLAPALLI	DATE 01/10/2019
APPROVED BY S. MACHARLA	DATE 1/10/2019
REFERENCE SS75967LN	THIRD ANGLE PROJECTION

REGAL ™ Regal Beloit America, Inc.	
DESCRIPTION OUTLINE	PROCESS/FINISH
MATERIAL	SIZE B
DRAWING NUMBER SS404353	SHEET 1 OF 1

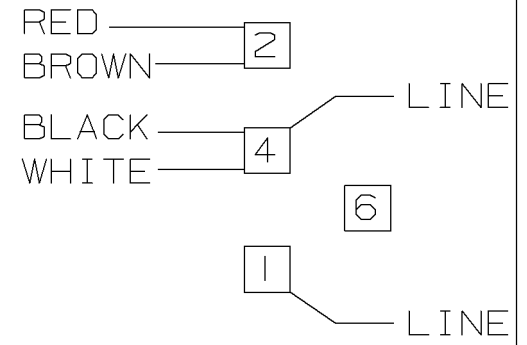
DUAL VOLTS

A- EE9057AH-LN

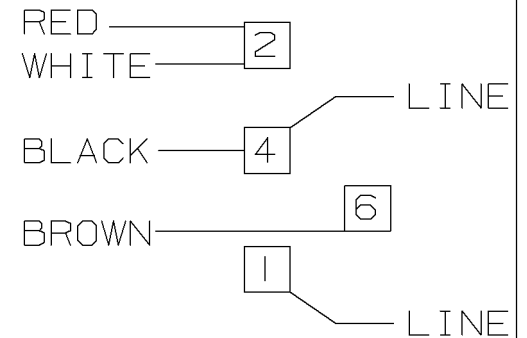
CW ROTATION, LEAD END, SHOWN
TO REVERSE EITHER VOLTAGE
INTERCHANGE RED AND BLACK LEADS.



LOW VOLTAGE



HIGH VOLTAGE



VIEW OF TERMINAL END

					✓ UNLESS OTHERWISE SPECIFIED DIMENSIONS ARE IN INCHES TOL. ON XX± XXX±.005 XXXX±.0005 ANGLES±			
					MAX. SURFACE ROUGHNESS UNLESS OTHERWISE NOTED		DRAWN BY TJB	11-18-1999
					FINISH		CHKD BY ML	11-19-1999
1	11-19-1999	NEW DRAWING	TJB		MATERIAL		APPD BY GK	11-19-1999
REV	DATE	CHANGE	NAME	PART NAME	CONNECTION DIAGRAM			DRWG NO A- EE9057AH-LN

PURCHASED

CADD FILE NO.

EE9057AH-LN



CERTIFICATION DATA SHEET

**2100 WASHINGTON ST.
GRAFTON, WI
PH. 262-277-8810**

CONN. DIAGRAM: A-EE9057AH-LN

OUTLINE: A-SS404353-625

CATALOG: LM24444

WINDING #: PE4861752 3

MOUNTING: F1 ONLY

TYPICAL MOTOR PERFORMANCE DATA

HP	kW	SYNC. RPM	F.L. RPM	FRAME	ENCLOSURE	KVA CODE	DESIGN
1/2	0.37	1200	1075	48Z	TEAO	D	NO DESIGN CODE

PH	Hz	VOLTS	AMPS	START TYPE	DUTY	INSL	S.F.	AMB°C
1	60	115/230	6.4/3.2	ACROSS THE LINE	CONTINUOUS	B3	1.0	40

FULL LOAD EFF:	68	3/4 LOAD EFF:	67.6	1/2 LOAD EFF:	61.4	GTD. EFF	ELEC. TYPE
FULL LOAD PF:	78.5	3/4 LOAD PF:	72.1	1/2 LOAD PF:	61.5	64	PSC 1 SPEED

F.L. TORQUE	LOCKED ROTOR AMPS	L.R. TORQUE	B.D. TORQUE	F.L. RISE°C
37.3 OZ-FT	19.8 / 9.9	10.5 OZ-FT - %	65.9 OZ-FT - %	80

SOUND PRESSURE @ 3 FT.	SOUND POWER	ROTOR WK^2	MAX. WK^2	SAFE STALL TIME	STARTS / HOUR	APPROX. MOTOR WGT
0 dBA	10 dBA	- LB-FT^2	0 LB-FT^2	0 SEC.	0	20 LBS.

***** SUPPLEMENTAL INFORMATION *****

DE BRACKET TYPE	ODE BRACKET TYPE	MOUNT TYPE	ORIENTATION	SEVERE DUTY	HAZARDOUS LOCATION	DRIP COVER	SCREENS	PAINT
STANDARD	STANDARD	RESILIENT BASE-EXTENDED STUDS	HORIZONTAL	FALSE	NONE	FALSE	NONE	GRAY - LINCOLN

BEARINGS		GREASE	SHAFT TYPE	SPECIAL DE	SPECIAL ODE	SHAFT MATERIAL	FRAME MATERIAL
DE	ODE						
BALL 6203	BALL 6203	PG-44A	SGL SPL EXT	0.500 x 2.50 IN SEF WITH 2.25 IN DOUBLE FULL FLAT	NONE	1144 STRESSPROOF (C-223)	ROLLED STEEL

THERMO-PROTECTORS				THERMISTORS	CONTROL	SPACE HEATERS
THERMOSTATS	PROTECTORS	WDG RTDs	BRG RTDs			
NONE	AUT LCK RTR ONLY	NONE	NONE	NONE	FALSE	NONE VOLTS

*
N
O
T
E
S

INVERTER TORQUE: NONE
INV. HP SPEED RANGE: NONE
ENCODER: NONE NONE NONE NONE NONE PPR
BRAKE: NONE NONE NONE P/N NONE NONE NONE NONE FT-LB NONE V NONE Hz

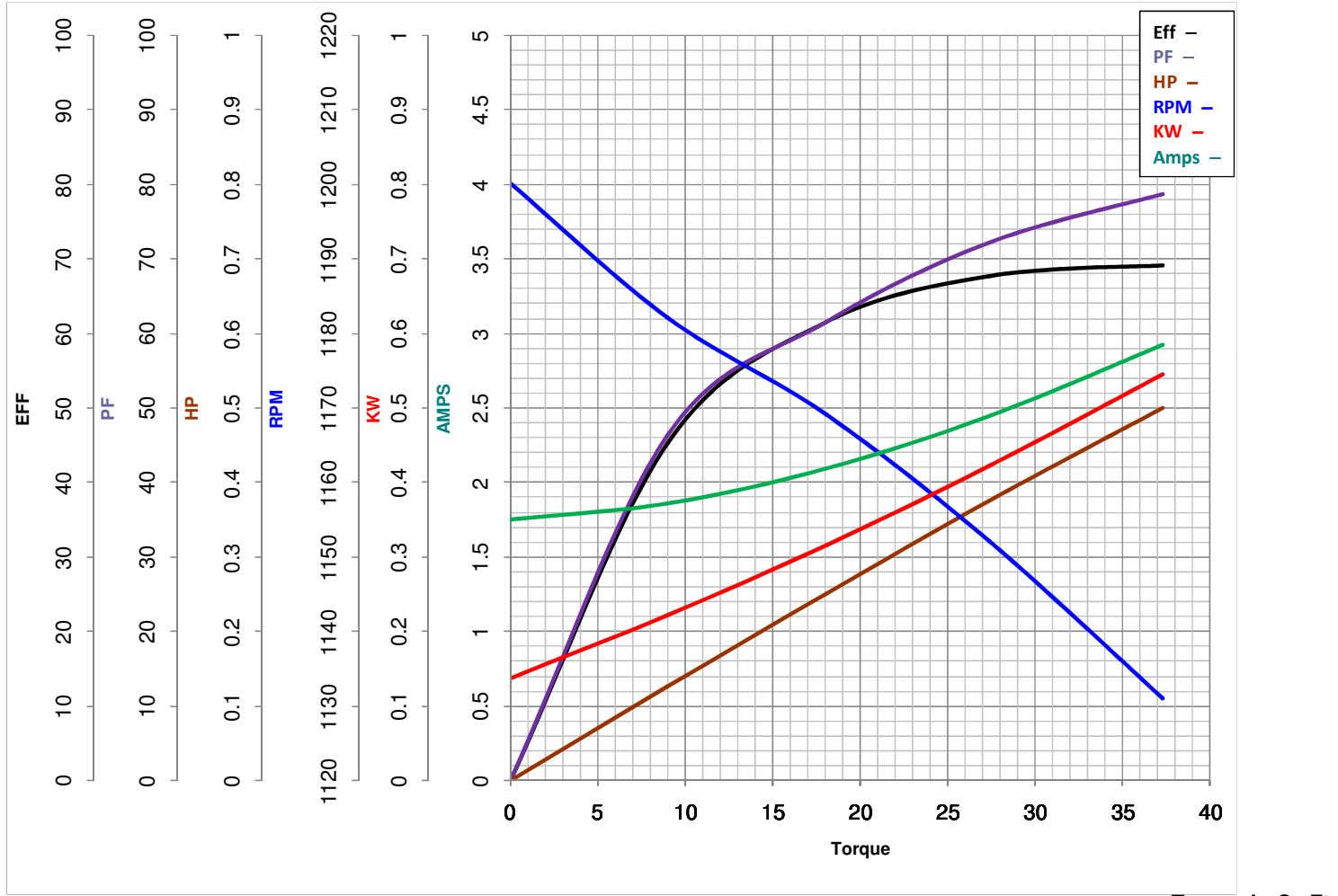


LEESON ELECTRIC CORPORATION
TYPICAL PERFORMANCE CURVE for AC MOTOR

Model No LM24444

Catalog No LM24444C

Curve at 460 Volts HP 0.50 PHASE 1
60 HZ
0.5 HP VOLTS 115/230
 HZ 60 RPM 1075



FL TORQUE	<u>37.3</u>	Oz.Ft	FL AMPS	<u>6.4/3.2</u>	
BD TORQUE	<u>65.9</u>	Oz.Ft	PU TORQUE	<u>8.8</u>	Oz.Ft
LR TORQUE	<u>10.5</u>	Oz.Ft	LR AMPS	<u>9.9</u>	
WINDING	PE4861752-3		Date	5/17/2018	