

PRODUCT INFORMATION PACKET



Model No: LM24745
Catalog No: LM24745
1,3450,TEFC,56,1/60/115/208-230
General Purpose Motors



Regal and Leeson are trademarks of Regal Rexnord Corporation or one of its affiliated companies.
©2021 Regal Rexnord Corporation, All Rights Reserved. MC017097E





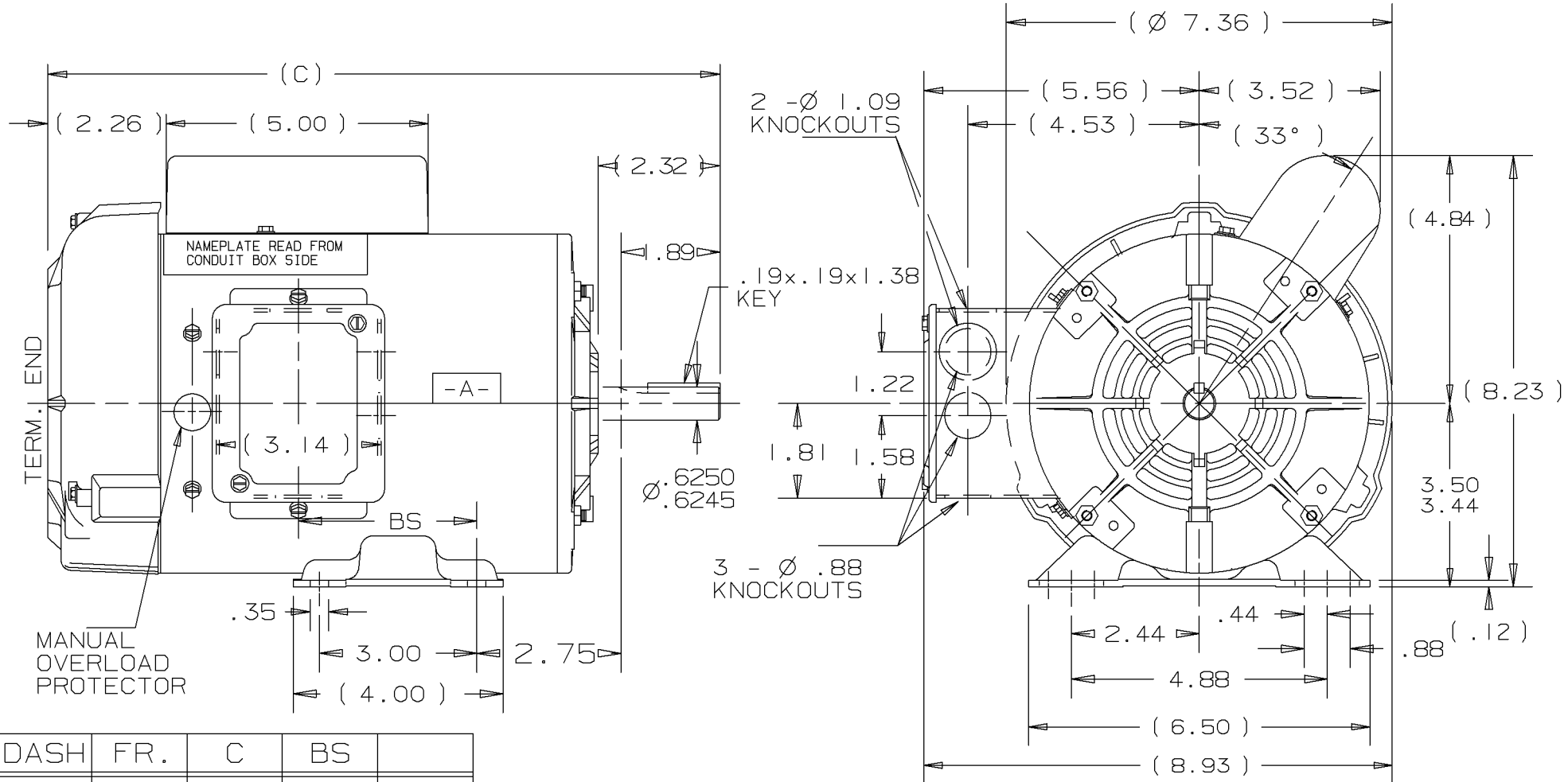
Nameplate Specifications

Output HP	1 Hp	Output KW	0.75 kW
Frequency	60 Hz	Voltage	115/208-230 V
Current	12.4/6.7-6.2 A	Speed	3450 rpm
Service Factor	1.15	Phase	1
Efficiency	72 %	Power Factor	76
Duty	Continuous	Insulation Class	B
Design Code	N	KVA Code	K
Frame	56	Enclosure	Totally Enclosed Fan Cooled
Thermal Protection	Manual	Ambient Temperature	40 °C
Drive End Bearing Size	6203	Opp Drive End Bearing Size	6203
UL	Recognized	CSA	Y
CE	N	IP Code	43
Number of Speeds	1		


Technical Specifications

Electrical Type	Capacitor Start Induction Run	Starting Method	Across The Line
Poles	2	Rotation	Selective Counterclockwise
Resistance Main	0 Ohms	Mounting	Rigid Base
Motor Orientation	Horizontal	Drive End Bearing	Ball
Opp Drive End Bearing	Ball	Frame Material	Rolled Steel
Shaft Type	NEMA 56	Overall Length	12.32 in
Frame Length	7.06 in	Shaft Diameter	0.625 in
Shaft Extension	2.32 in	Assembly/Box Mounting	F1 ONLY
Connection Drawing	102005-52-LN	Outline Drawing	100112LN-706

This is an uncontrolled document once printed or downloaded and is subject to change without notice. Date Created:10/12/2021

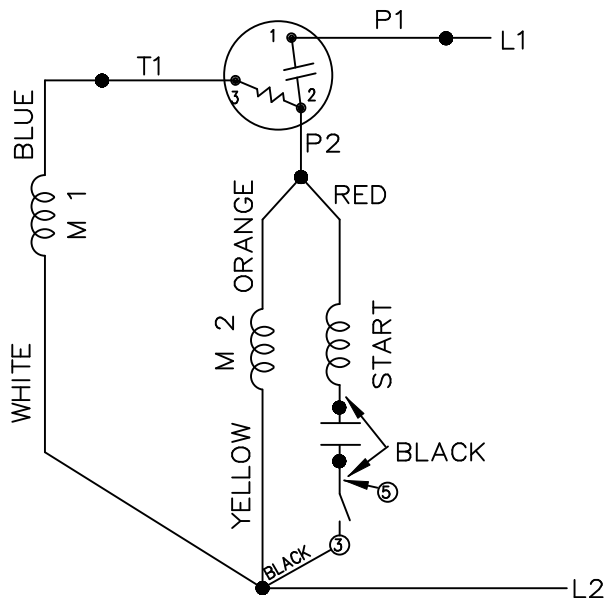


DASH	FR.	C	BS
656	56-65	11.82	2.40
706	56-70	12.32	2.90
756	56-75	12.82	3.40

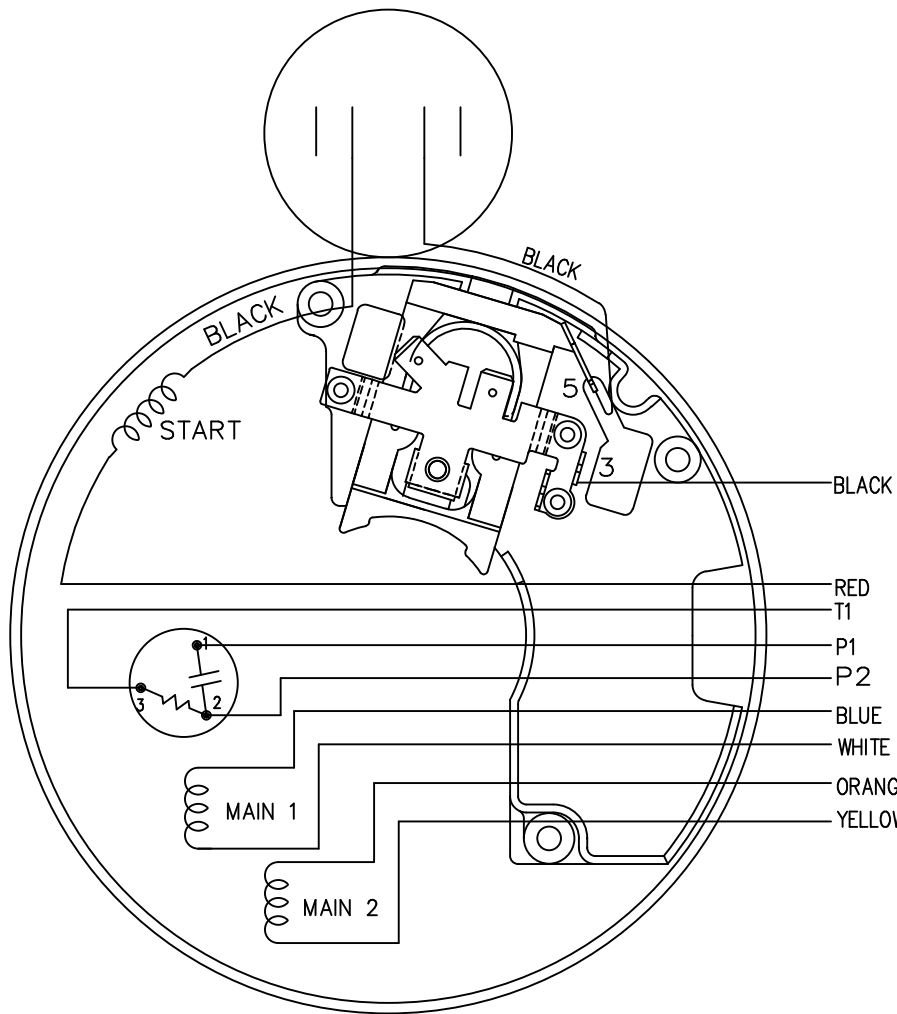
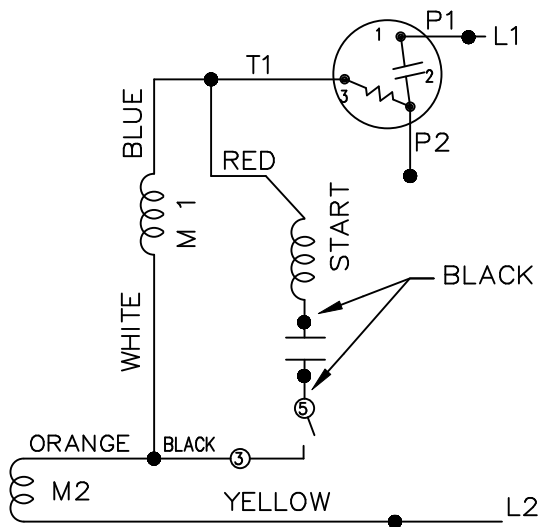
						✓ UNLESS OTHERWISE SPECIFIED DIMENSIONS ARE IN INCHES TOL. ON XX±.02 XXX±.005 XXXX±.0005 ANGLES± 7'30"		
						MAX. SURFACE ROUGHNESS UNLESS OTHERWISE NOTED	DRAWN BY TJB 10-20-1999	
				FINISH	CHKD BY ML 10-20-1999			
				MATERIAL	APPD BY GK 10-20-1999			
REV	DATE	CHANGE	NAME	PART NAME OUTLINE 56 FR. - TEFC - 1Ø - MANUAL PROTECTOR			DRWG NO A-100112LN	

PURCHASED CADD FILE NO. 100112LN

LOW VOLTAGE - CCW

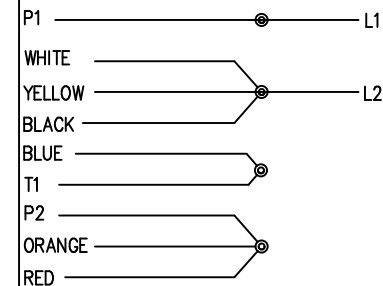


HIGH VOLTAGE - CCW

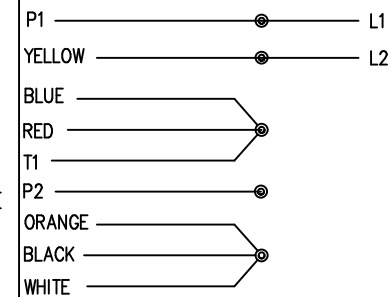


DUAL VOLTAGE
CAPACITOR START
OVERLOAD
SELECT ROTATION

LOW VOLT. CCW ROT.



HIGH VOLT. CCW ROT.



FOR CW ROTATION
EITHER VOLTAGE
INTERCHANGE RED
WITH BLACK

TOLERANCES
UNLESS SPECIFIED

DEC. INCHES

.X ±.1

.XX ±.02

.XXX ±.005

.XXXX ±.0005

ANG ±7'30"



TITLE CONNECTION DIAGRAM

DRAWN TAT 9-8-2003

CHK ML 9-8-2003

APPD GK 9-8-2003

SCALE 5=8

REF

FMF

PREV

1 NEW DRAWING

TAT 9-8-2003

ML

.XXXX ±.0005

MAT'L.

NO. REVISION

BY & DATE

CHK

ANG ±7'30"

FINISH

THIS DRAWING IN DESIGN AND DETAIL IS OUR PROPERTY AND MUST NOT BE USED EXCEPT IN CONNECTION WITH OUR WORK ALL RIGHTS OF DESIGN AND INVENTION ARE RESERVED THIS IS AN ELECTRONICALLY GENERATED DOCUMENT - DO NOT SCALE THIS PRINT

RFP

CAD FILE 102005-52-ln

SIZE

DRAWING NO. PAGE OF

REV.

DIST WP

A

102005-52-LN

1

