

PRODUCT INFORMATION PACKET

Model No: LM24776

Catalog No: LM24776

Agricultural Motor, 0.50 HP, 1 Ph, 60 Hz, 115/230 V, 1800 RPM, 56 Frame, TENV



Regal and are trademarks of Regal Rexnord Corporation or one of its affiliated companies.
©2022 Regal Rexnord Corporation, All Rights Reserved. MC017097E

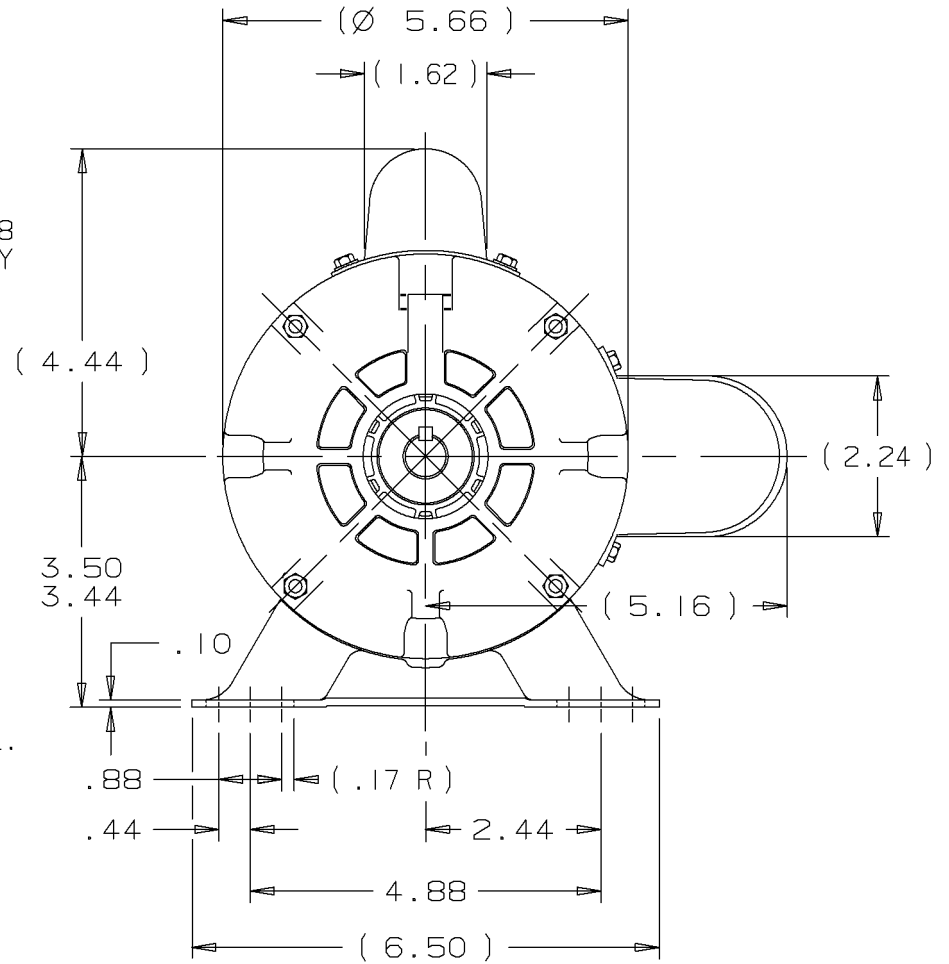
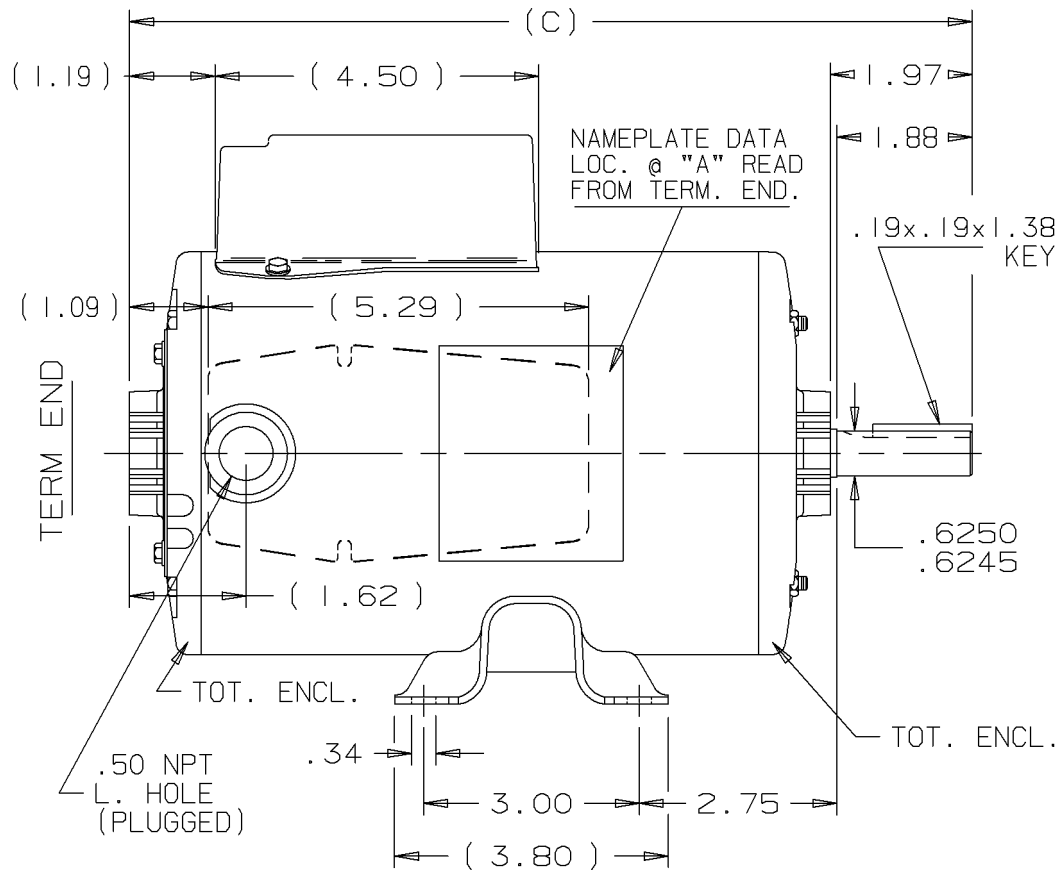
Nameplate Specifications

Output HP	0.50 Hp	Output KW	0.37 kW
Frequency	60 Hz	Voltage	115/230 V
Current	4.5/2.2 A	Speed	1725 rpm
Service Factor	1	Phase	1
Efficiency	80 %	Power Factor	93.6
Duty	Continuous	Insulation Class	B
Design Code	NO DESIGN CODE	KVA Code	F
Frame	56	Enclosure	Totally Enclosed Non Ventilated
Thermal Protection	Automatic	Ambient Temperature	40 °C
Drive End Bearing Size	6203	Opp Drive End Bearing Size	6203
UL	Recognized	CSA	Y
CE	N	IP Code	43
Number of Speeds	1		

Technical Specifications

Electrical Type	Capacitor Start Capacitor Run	Starting Method	Across The Line
Poles	4	Rotation	Selective Counterclockwise
Resistance Main	0 Ohms	Mounting	Rigid Base
Motor Orientation	Horizontal	Drive End Bearing	Ball
Opp Drive End Bearing	Ball	Frame Material	Rolled Steel
Shaft Type	NEMA 56	Overall Length	10.47 in
Frame Length	6.50 in	Shaft Diameter	0.625 in
Shaft Extension	1.88 in	Assembly/Box Mounting	F1 ONLY
Connection Drawing	EE9002F-LN	Outline Drawing	SS75533LN-650

This is an uncontrolled document once printed or downloaded and is subject to change without notice. Date Created:09/07/2022



DASH	FR.	C
650	48	10.47
675	48	10.72

					✓ UNLESS OTHERWISE SPECIFIED DIMENSIONS ARE IN INCHES TOL. ON XX±.03 XXX±.005 XXXX±.0005 ANGLES± 7'30"	
					MAX. SURFACE ROUGHNESS UNLESS OTHERWISE NOTED	DRAWN BY TJB 12-01-1999
				FINISH	CHKD BY	
				MATERIAL	APPD BY	
				PART NAME OUTLINE		DRWG NO A-SS75533LN

REV	DATE	CHANGE	NAME
I		NEW DRAWING	TJB

PURCHASED	CADD FILE NO.	SS75533LN
-----------	---------------	-----------



**2100 WASHINGTON ST.
GRAFTON, WI
PH. 262-277-8810**

CERTIFICATION DATA SHEET

CONN. DIAGRAM: A-EE9002F-LN

OUTLINE: A-SS75533LN-650

CATALOG : LM24776

WINDING #: BE48419 3

MOUNTING: F1 ONLY

TYPICAL MOTOR PERFORMANCE DATA

HP	kW	SYNC. RPM	F.L. RPM	FRAME	ENCLOSURE	KVA CODE	DESIGN
1/2	0.37	1800	1725	56Z	TENV	F	NO DESIGN CODE

PH	Hz	VOLTS	AMPS	START TYPE	DUTY	INSL	S.F.	AMB°C
1	60	115/230	4.45/2.2	ACROSS THE LINE	CONTINUOUS	B3	1.0	40

FULL LOAD EFF:	80	3/4 LOAD EFF:	76.3	1/2 LOAD EFF:	69.5	GTD. EFF	ELEC. TYPE
FULL LOAD PF:	93.6	3/4 LOAD PF:	92.9	1/2 LOAD PF:	91.4	77	CAP START CAP RUN

F.L. TORQUE	LOCKED ROTOR AMPS	L.R. TORQUE	B.D. TORQUE	F.L. RISE°C
24.2 OZ-FT	22.8 / 11.4	33 OZ-FT 136 %	52 OZ-FT 215 %	105.8

SOUND PRESSURE @ 3 FT.	SOUND POWER	ROTOR WK^2	MAX. WK^2	SAFE STALL TIME	STARTS / HOUR	APPROX. MOTOR WGT
0 dBA	10 dBA	0 LB-FT^2	0 LB-FT^2	0 SEC.	0	23 LBS.

***** SUPPLEMENTAL INFORMATION *****

DE BRACKET TYPE	ODE BRACKET TYPE	MOUNT TYPE	ORIENTATION	SEVERE DUTY	HAZARDOUS LOCATION	DRIP COVER	SCREENS	PAINT
STANDARD	STANDARD	RIGID	HORIZONTAL	FALSE	NONE	FALSE	NONE	GRAY (POWDER)

BEARINGS		GREASE	SHAFT TYPE	SPECIAL DE	SPECIAL ODE	SHAFT MATERIAL	FRAME MATERIAL
DE	ODE						
BALL	BALL	MULTEMP SRL	SGL SPL EXT	SPL	NONE	1144 STRESSPROOF (C-223)	ROLLED STEEL
6203	6203						

THERMO-PROTECTORS				THERMISTORS	CONTROL	SPACE HEATERS
THERMOSTATS	PROTECTORS	WDG RTDs	BRG RTDs			
NONE	AUT LCK RTR ONLY	NONE	NONE	NONE	FALSE	NONE VOLTS

*
N
O
T
E
S
*

INVERTER TORQUE: NONE
INV. HP SPEED RANGE: NONE
ENCODER: NONE NONE NONE NONE NONE PPR
BRAKE: NONE NONE NONE P/N NONE NONE NONE NONE FT-LB NONE V NONE Hz



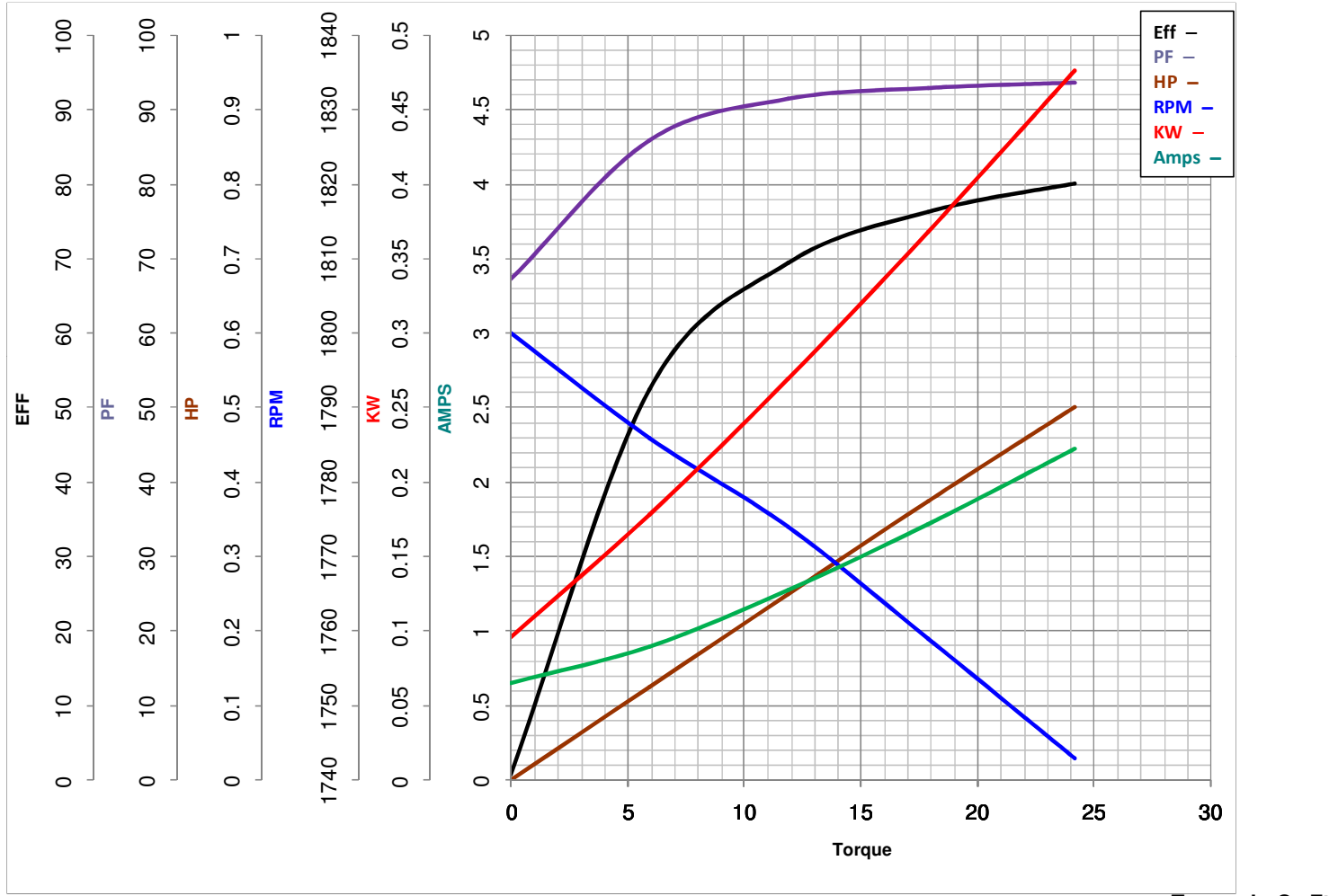
LEESON ELECTRIC CORPORATION
 TYPICAL PERFORMANCE CURVE for AC MOTOR

Model No LM24776

Curve at 230 Volts HP 0.50 PHASE 1
60 HZ
0.5 HP VOLTS 115/230

Catalog No LM24776E

HZ 60 RPM 1725



FL TORQUE	<u>24.2</u>	Oz.Ft	FL AMPS	<u>4.45/2.2</u>	
BD TORQUE	<u>52.0</u>	Oz.Ft	PU TORQUE	<u>31.0</u>	Oz.Ft
LR TORQUE	<u>33</u>	Oz.Ft	LR AMPS	<u>11.4</u>	
WINDING	BE48419-3		Date	<u>3/28/2018</u>	